



## PASSIONE® OT

Bedienungsanleitung / Operating Instructions / Mode d'emploi  
Gebruiksaanwijzing / Istruzioni per l'uso / Manual de instrucciones  
Betjeningsvejledning / Bruksanvisning / Bruksanvisning / Käyttöohje  
Руководство по эксплуатации / Instrukcja obsługi / Kullanna kilavuzu  
Naudojimo instrukcija / Kasutusjuhend / Lietošanas instrukcija  
Návod k obsluze



DE

GB

FR

NL

IT

ES

DK

SE

NO

FI

RU

PL

TR

LT

EE

LV

CZ

## Table of contents

<b>1</b>	<b>For your safety</b> .....	<b>49</b>
1.1	Proper use.....	49
1.2	Danger from electric current .....	50
1.3	Risk of burns and scalds.....	50
1.4	General safety.....	51
<b>2</b>	<b>Overview of the appliance</b> .....	<b>52</b>
2.1	Appliance at a glance .....	52
2.2	Overview of the control panel .....	54
<b>3</b>	<b>First steps</b> .....	<b>55</b>
3.1	Unpacking the appliance.....	55
3.2	Checking the delivery contents.....	55
3.3	Installing the appliance .....	56
3.4	Connecting the appliance .....	56
3.5	Switching on the appliance for the first time .....	56
<b>4</b>	<b>Basic operation</b> .....	<b>58</b>
4.1	Switching the appliance on and off .....	58
4.2	Using the control panel .....	59
4.3	Navigating in the menu.....	59
4.4	Filling coffee beans into the bean container .....	61
4.5	Filling with water.....	62
4.6	Adjusting the outlet.....	63
4.7	Using milk.....	64
4.8	Emptying the drip tray and coffee grounds container.....	66
<b>5</b>	<b>Preparing beverages</b> .....	<b>67</b>
5.1	Preparing Espresso and Café Crème .....	67
5.2	Preparing cappuccino .....	68
5.3	Preparing latte macchiato .....	68
5.4	Preparing milk froth or warm milk.....	69
5.5	Preparing hot water .....	69
5.6	Preparing further beverage specialities with recipes .....	69
5.7	Changing beverage settings before and during preparation .....	71
5.8	Stopping beverage preparation.....	72
5.9	Preparing two beverages simultaneously .....	72
<b>6</b>	<b>Permanently changing beverage settings</b> .....	<b>73</b>
6.1	Changing default settings .....	73

<b>7</b>	<b>Changing basic settings.....</b>	<b>74</b>
7.1	Setting the language.....	74
7.2	Setting Auto OFF.....	74
7.3	Setting energy save mode.....	75
7.4	Resetting the appliance to the factory settings.....	75
7.5	Information on the appliance status.....	76
7.6	Setting the grinding fineness.....	77
<b>8</b>	<b>Care and maintenance.....</b>	<b>78</b>
8.1	General cleaning.....	78
8.2	Rinsing the coffee system.....	78
8.3	Removing and cleaning the brewing unit.....	79
8.4	Using the "Easy Cleaning" programme.....	80
8.5	Using the "Cleaning milk system" programme.....	81
8.6	Using the "Cleaning coffee system" programme.....	82
8.7	Using the "Descaling" programme.....	83
8.8	Setting the water hardness.....	84
8.9	Using a water filter.....	85
<b>9</b>	<b>Troubleshooting.....</b>	<b>87</b>
<b>10</b>	<b>Transport, storage and disposal.....</b>	<b>88</b>
10.1	Venting the appliance.....	88
10.2	Transporting the appliance.....	88
10.3	Disposing of the appliance.....	89
<b>11</b>	<b>Technical data.....</b>	<b>89</b>

## Dear Customer,

Thank you for purchasing the Melitta® Passione® OT fully automatic coffee maker.

The operating instructions will help you discover the diverse options offered by the appliance and enjoy your coffee to the full.

Read through the operating instructions carefully. This helps avoid personal injury and material damage. Store the operating instructions carefully. If you pass on the appliance, include the operating instructions with it.

Melitta accepts no liability for damage caused by failure to observe the operating instructions.

If you require further information or have any questions on the appliance, contact Melitta or visit our website at:  
[www.international.melitta.de](http://www.international.melitta.de)

We hope you enjoy using your appliance.

## 1 For your safety

**CE** The appliance conforms to the relevant European directives and has been built using the latest technology. Nevertheless, some residual dangers remain.

Observe the safety instructions to avoid dangers. Melitta accepts no liability for damage caused by failure to observe the safety instructions.

### 1.1 Proper use

The appliance is used to prepare beverages made from coffee beans, and to heat milk and water.

The appliance is intended for use in private households.

Any other use is regarded as improper and may lead to personal injury and material damage. Melitta accepts no liability for damage that arises due to improper use of the appliance.

## 1.2 Danger from electric current

If the appliance or the power cable is damaged, there is a risk of fatal electric shock.

Observe the following safety instructions to avoid danger from electric current:

- Do not use a damaged power cable.
- A damaged power cable may only be replaced by the manufacturer or its customer service or service partner.
- Do not open any covers firmly screwed onto the appliance housing.
- Only use the appliance when it is in a technically flawless condition.
- A defective appliance may only be repaired by an authorised workshop. Do not repair the appliance yourself.
- Do not make any changes to the appliance, its components or its accessories.
- Do not immerse the appliance in water.
- Do not let the power cable come into contact with water.

## 1.3 Risk of burns and scalds

Escaping fluids and steam may be very hot. Parts of the appliance can also become very hot.

Observe the following safety instructions to avoid scalds and burns:

- Avoid escaping fluids and steam coming into contact with the skin.
- Do not touch the nozzles on the outlet during and immediately after dispensing a beverage. Wait until the components have cooled down.

## 1.4 General safety

Observe the following safety instructions to avoid personal injury and material damage:

- Do not operate the appliance in a cabinet or similar.
- Do not reach into the interior of the appliance during operation.
- Keep the appliance and its power cable out of the reach of children under 8 years of age.
- This appliance may be used by children over 8 years of age and by persons with reduced physical, sensory or mental capabilities or a lack of experience and knowledge if they are supervised or have been instructed in using the appliance safely and understand the resulting risks.
- Children must not play with the appliance. Cleaning and maintenance must not be undertaken by children younger than 8 years of age. Children over 8 years of age must be supervised during cleaning and maintenance.
- Disconnect the appliance from the power supply when left unsupervised for a long time.
- The appliance must not be operated at altitudes over 2000 m.
- Please observe the instructions in the corresponding section when cleaning the appliance and its components (*Care and maintenance* on page 78).

## 2 Overview of the appliance

### 2.1 Appliance at a glance

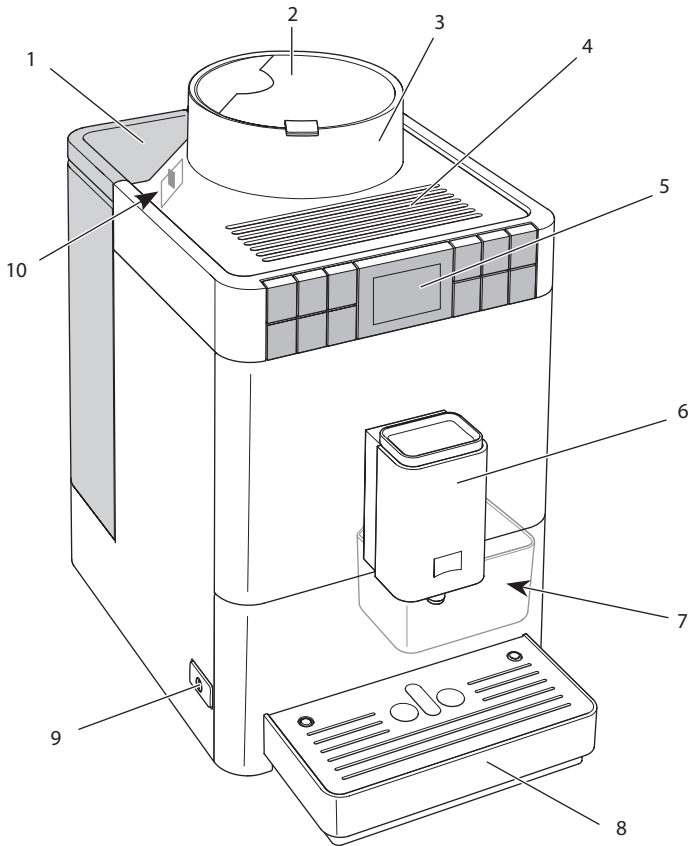


Fig. 1: Front left of the appliance

- |                             |   |
|-----------------------------|---|
| 1 Water tank with lid       | 6 Height-adjustable outlet with 2 coffee nozzles, 1 milk nozzle, 1 hot water nozzle, cup illumination |
| 2 Lid of the bean container | 7 Coffee grounds container (inner)  |
| 3 Bean container            | 8 Drip tray   |
| 4 Cup rest                  | 9 ON/OFF button   |
| 5 Control panel             | 10 "Grinding fineness adjustment" lever (inner)   |

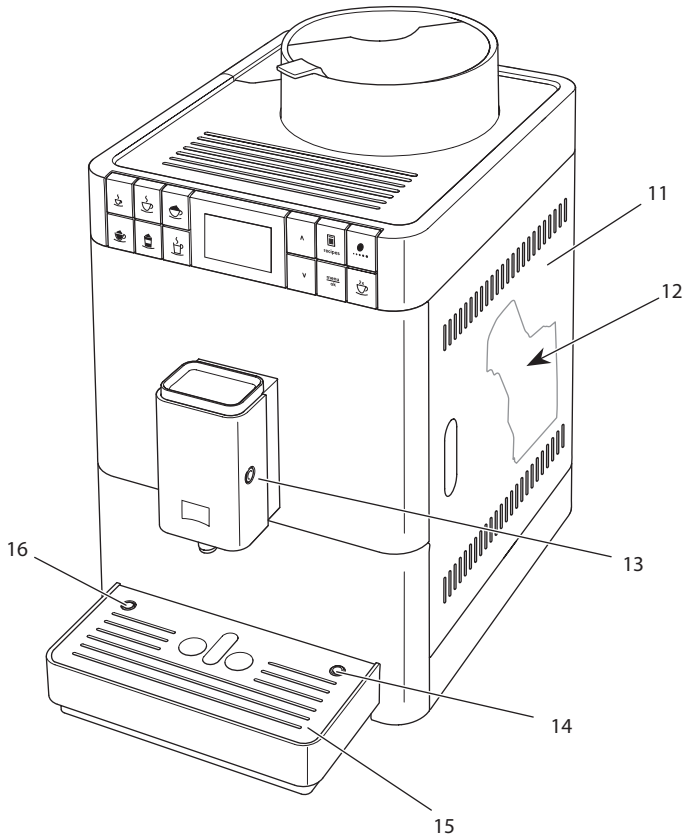


Fig.2: Front right of the appliance

- |                                       |  |
|---------------------------------------|--|
| 11 Cover                              | 14 Milk hose connection at the drip tray |
| 12 Brewing unit (inner)               | 15 Cup plate                             |
| 13 Milk hose connection at the outlet | 16 Float                                 |



## 2.2 Overview of the control panel

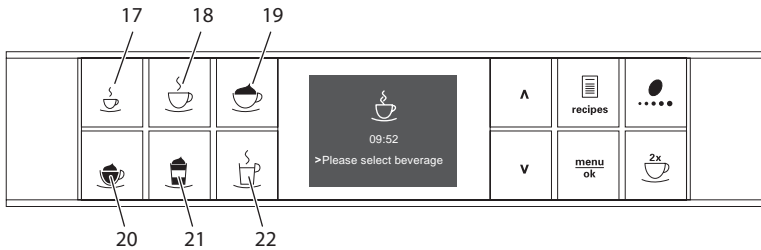


Fig. 3: Direct keys

Item	Designation	Function
17	Espresso	Preparing espresso
18	Café crème	Preparing café crème
19	Cappuccino	Preparing cappuccino
20	Milk foam/Warm milk	Preparing milk froth and warm milk
21	Latte macchiato	Preparing latte macchiato
22	Hot water	Preparing hot water

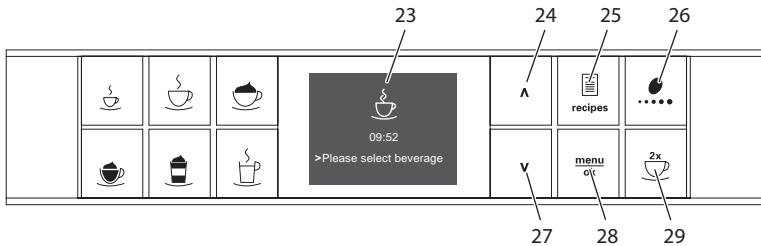


Fig. 4: Display and buttons

Item	Designation	Function
23	Display	Display of current menus and messages Example: Ready symbol
24	Up arrow button	Navigating up in the menu or increasing the quantity
25	Recipes	Selecting and preparing recipes
26	Coffee strength	Setting the coffee strength
27	Down arrow button	Navigating down in the menu or reducing amount
28	menu/ok	Calling up the menu or confirming inputs
29	Two cups	Two-cup dispensing

## 3 First steps

This chapter describes how to prepare your appliance for use.

### 3.1 Unpacking the appliance

In addition to the appliance, there are further accessories in the packaging such as cleaning aids and agents.

#### CAUTION

**Contact with cleaning agents can lead to eye and skin irritation.**

- Keep the supplied cleaning agents out of the reach of children.
- Unpack the appliance. Remove the packaging material, the adhesive strips and the protective films from the appliance.
- Keep the packaging material for transport and any return shipments.

#### Information

The appliance may contain traces of coffee and water. The appliance has been tested in the factory to ensure that it functions perfectly.

### 3.2 Checking the delivery contents

Check the completeness of delivery using the following list. If parts are missing, contact your retailer.

- Milk container with short milk hose
- Long milk hose
- Cleaning brush
- Test strip for determining the water hardness.

### 3.3 Installing the appliance

Observe the following instructions:

- Do not install the appliance in damp rooms.
- Install the appliance on a stable, flat and dry surface.
- Do not install the appliance in the vicinity of sinks or the like.
- Do not install the appliance on hot surfaces.
- Install the appliance at a sufficient distance (approx. 10 cm) from the wall and other objects. The space above the appliance should be at least 20 cm.
- Route the power cable so it cannot be damaged by edges or hot surfaces.

### 3.4 Connecting the appliance

Observe the following instructions:

- Make sure that the supply voltage matches the operating voltage specified in the technical data (see the *Technical data* on page 89 table).
- Only connect the appliance to a properly installed earthing contact socket. If in doubt, consult a specialist electrician.
- The earthing contact socket must have a fuse of at least 10 A.

### 3.5 Switching on the appliance for the first time

During initial start-up, the language, the time and the water hardness can be set. The settings can be changed at a later point in time (see chapter 7 *Changing basic settings* on page 74 and section 8.8 *Setting the water hardness* on page 84).

Use the enclosed test strips to determine the water hardness. Observe the instructions on the test strip packaging and in the table *Water hardness range* on page 89.

#### Information

- We recommend pouring away the first two cups of coffee after initial start-up.
- If you want to use a water filter, only insert this after starting up for the first time.

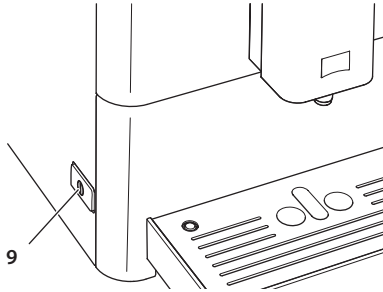


Fig. 5: ON/OFF button

**Requirement:** The appliance has been installed and connected.

1. Place a vessel beneath the outlet.
2. Press the ON/OFF button.
  - » The welcome display appears on the appliance.
  - » The request to carry out the setup appears: *Please set up the machine.*
3. Confirm with "menu/ok".
  - » The *Language* menu appears.
4. Select your language with the arrow buttons. Confirm with "menu/ok".
  - » The *Water hardness* menu appears.
5. Select the determined water hardness range with the arrow buttons or confirm the default value with "menu/ok".
  - » The request *Please refill and insert water tank* appears.
6. Remove the water tank. Rinse out the water tank with clean water. Fill the water tank with fresh water and insert it.
  - » The appliance heats up and performs automatic rinsing.
  - » The ready symbol appears on the display.
7. Fill coffee beans into the bean container. To do this, read section 4.4 *Filling coffee beans into the bean container on page 61.*
  - » If required, a water filter can now be inserted (see section 8.9 *Using a water filter on page 85*).

## 4 Basic operation

This chapter describes basic operating steps for using the appliance on a daily basis.

### 4.1 Switching the appliance on and off

Before switching on after starting up the appliance for the first time, read section 3.5 *Switching on the appliance for the first time* on page 56.

#### Information

- When switched on and off, the appliance performs automatic rinsing.
- During rinsing, rinsing water is also conducted into the drip tray.

#### Switching on the appliance

1. Place a vessel beneath the outlet.
  2. Press the ON/OFF button (9).
    - » The welcome display appears on the appliance.
    - » The appliance heats up and performs automatic rinsing.
- » The ready symbol appears on the display.

#### Information

If the appliance was only switched off briefly, there is no automatic rinsing after switching on.

#### Switching off the appliance

1. Place a vessel beneath the outlet.
  2. Press the ON/OFF button (9).
    - » The appliance performs automatic rinsing.
- » The appliance switches off.

#### Information

- The appliance switches off automatically when it is not operated for a long time. Automatic rinsing is also carried out in this case.
- The off time can be set in the *Auto OFF* menu, see section 7.2 *Setting Auto OFF* on page 74.
- If no beverage has been prepared since switching on or if the water tank is empty, no rinsing takes place.

## 4.2 Using the control panel

The essential programmes can be accessed using the control panel.

Press the required button. Use the following actions to operate the buttons:



### Brief press

Briefly press a button to select a programme.



### Long press

Press a button for longer than 2 seconds to select a second programme that may be available.

## 4.3 Navigating in the menu

To set individual beverages and for maintenance and care, call up the menu on the display and navigate in the menu.

Observe the instructions on the display.

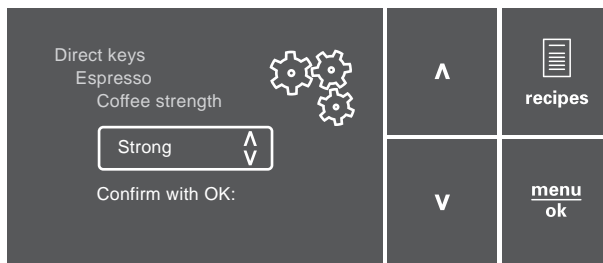


Fig. 6: Display (example) and buttons for navigation

Use the following options to navigate in the menu:



### Calling up the menu and confirming the selection




Press the "menu/ok" button for longer than 2 seconds to call up the menu.

Briefly press the "menu/ok" button to confirm your selection.

## Navigating in the menu or changing a numerical value

-   Press the arrow buttons to navigate down or up in the menu. Press the arrow buttons to increase or decrease a numerical value. Press and hold an arrow button to quickly reach the required position or numerical value.

## Exiting a menu

-  Select the *Exit* command with the arrow buttons and confirm with "menu/ok" to exit a menu. Exit submenus that only display information and where no settings are made with "menu/ok".

## Calling up submenus

Some appliance programmes can be reached by calling up several submenus in succession.

Submenus are always called up in a similar way. Navigation to the *Descaling* programme is described here as an example.

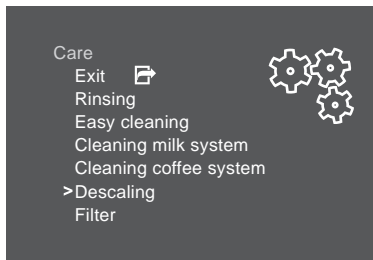


Fig. 7: Navigating to the *Descaling* programme

1. Press the "menu/ok" button for 2 seconds.
  - » The menu appears on the display.
2. Use the arrow buttons to select *Care* and confirm with "menu/ok".
3. Use the arrow buttons to select *Descaling* and confirm with "menu/ok".

The selection of a programme is always shown in shortened form in these operating instructions:

- Navigate to the *Care > Descaling* menu.

## 4.4 Filling coffee beans into the bean container

Roasted coffee beans lose their aroma. Only fill the bean container with as many coffee beans as you will consume over the next 3 to 4 days.

### ATTENTION

**The use of unsuitable types of coffee can lead to clogging of the grinder.**

- Do not use freeze-dried or caramelised coffee beans.
- Do not use any coffee powder or instant products.

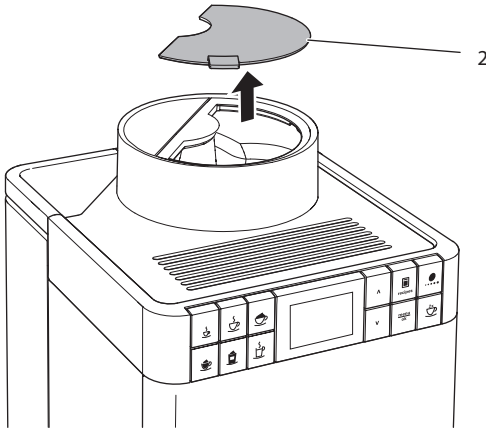


Fig. 8: Opening the lid of the bean container.

1. Open the lid (2) of the bean container.
2. Fill coffee beans into the bean container.
3. Close the lid of the bean container.



## 4.5 Filling with water

Only use fresh, cold water without carbon dioxide for optimum coffee enjoyment. Change the water daily.

### Information

The quality of the water largely determines the flavour of the coffee. Therefore, use a water filter (see section 8.8 *Setting the water hardness* on page 84 and section 8.9 *Using a water filter* on page 85).

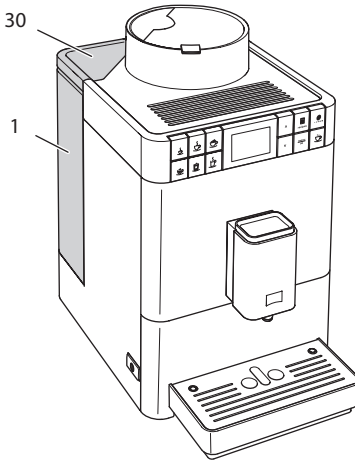


Fig. 9: Water tank

1. Open the lid of the water tank (30) and pull the water tank (1) upwards out of the appliance by the handle.
2. Fill the water tank with water.
3. Insert the water tank into the appliance from above and close the lid.

## 4.6 Adjusting the outlet

The outlet (6) is height-adjustable. Set the greatest possible distance between the outlet and the vessel. Depending on the vessel, push the outlet up or down.

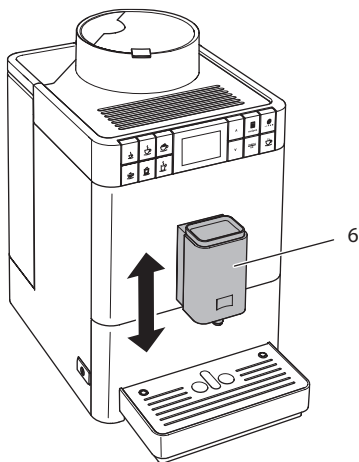


Fig. 10: Adjusting the outlet

## 4.7 Using milk

Use cooled milk for optimum coffee enjoyment. Depending on the version of the appliance, use the long milk hose supplied or the milk container supplied.

### Connecting the milk container

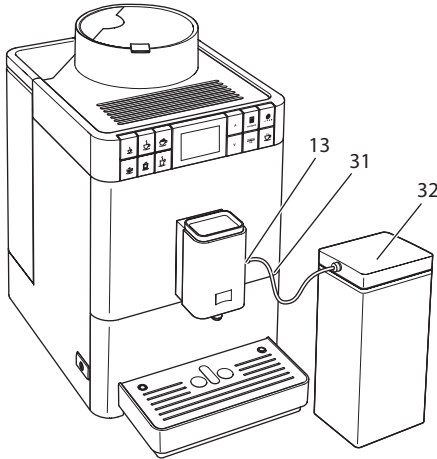


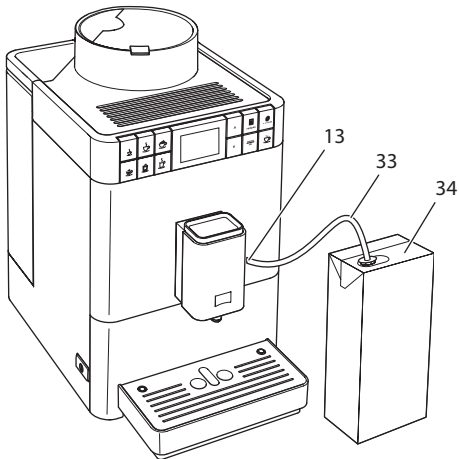
Fig. 11: Connected milk container

1. Connect the milk hose (31) to the connection at the outlet (13).
2. Connect the free end of the milk hose to the milk container (32).

#### Information

Store the filled milk container in the refrigerator.

## Connecting the milk pack



*Fig. 12: Connected commercial milk pack*

1. Connect the long milk hose (33) to the connection at the outlet (13).
2. Insert the free end of the milk hose into a commercial milk pack (34).

## 4.8 Emptying the drip tray and coffee grounds container

After dispensing several beverages, the drip tray (8) and the coffee grounds container (7) can become full. The projecting float (16) indicates the current filling level of the drip tray.

After a specified number of beverages have been dispensed, the appliance also shows that the drip tray and coffee grounds container are full.

Always empty the drip tray and coffee grounds container.

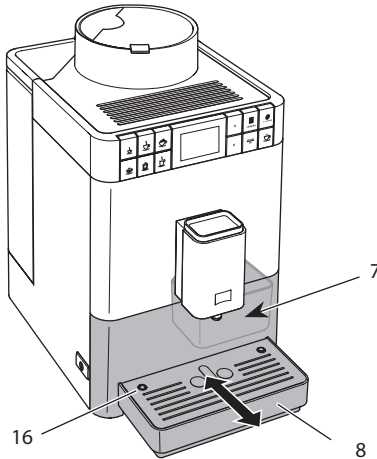


Fig. 13: Emptying the drip tray and coffee grounds container

1. Pull the drip tray (8) forwards out of the appliance.
2. Remove the coffee grounds container (7) and empty it.
3. Empty the drip tray.
4. Insert the coffee grounds container.
5. Push the drip tray into the appliance until fully inserted.

### **i** Information

If you empty the drip tray and the coffee grounds container while the appliance is switched off, the appliance does not register this process. Therefore, it is possible that you are requested to empty the containers although the drip tray and the coffee grounds container are not yet full.

## 5 Preparing beverages

There are two options for preparing beverages:

- Standard dispensing as described below,
- Selection and preparation of a recipe (see section 5.6 *Preparing further beverage specialities with recipes* on page 69).

### Information

The default settings for standard dispensing or for a recipe can be permanently changed (see section 6.1 *Changing default settings* on page 73).

Please note:

- There should always be sufficient water in the water tank. If the fill level is too low, the appliance requests you to refill it.
- There should always also be sufficient coffee beans in the bean container. If there are no longer any coffee beans present, the appliance stops the preparation of a coffee beverage.
- The appliance does not detect the level of milk.
- The vessels for the beverages should be sufficiently large (see table *Factory settings* on page 90).

### 5.1 Preparing Espresso and Café Crème



**Requirement:** The ready symbol appears on the display.



1. Place a vessel beneath the outlet.
2. Press the "Espresso" or "Café Crème" button.
  - » The grinding process and beverage dispensing start.
  - » Beverage dispensing ends automatically.
3. Remove the vessel.
  - » The ready symbol appears on the display.

## 5.2 Preparing cappuccino



**Requirement:** The display shows the ready symbol and milk is connected.

1. Place a vessel beneath the outlet.
2. Press the "Cappuccino" direct key.
  - » The grinding process and coffee dispensing start.
  - » Coffee dispensing is ended automatically.
  - » Milk dispensing begins.
  - » Beverage dispensing ends automatically.
3. Remove the vessel.
  - » The display shows: *Easy Cleaning? (OK for start)*.
4. You can execute the Easy Cleaning programme or prepare further beverages.
  - a) Execute the Easy Cleaning programme. To do so, follow the instructions on the display. Information on this is available in section 8.4 *Using the "Easy Cleaning" programme* on page 80.
  - b) Prepare further beverages and execute the Easy Cleaning programme later.
  - » The ready symbol appears on the display.

## 5.3 Preparing latte macchiato



**Requirements:** The ready symbol appears on the display and milk is connected.

1. Place a vessel beneath the outlet.
2. Press the "Latte Macchiato" direct key.
  - » Milk dispensing begins.
  - » Milk dispensing is ended automatically.
  - » The grinding process and coffee dispensing start.
  - » Beverage dispensing ends automatically.
3. Remove the vessel.
  - » The display shows: *Easy Cleaning? (OK for start)*.
4. You can execute the Easy Cleaning programme or prepare further beverages.
  - a) Execute the Easy Cleaning programme. To do so, follow the instructions on the display. Information on this is available in section 8.4 *Using the "Easy Cleaning" programme* on page 80.
  - b) Prepare further beverages and execute the Easy Cleaning programme later.
  - » The ready symbol appears on the display.

## 5.4 Preparing milk froth or warm milk



The preparation of milk froth and warm milk is similar.

**Requirement:** The ready symbol appears on the display and milk is connected.

1. Place a vessel beneath the outlet.
2. Press the "Milk foam/Warm milk" direct key.
  - a) Milk froth = briefly press button
  - b) Warm milk = press the button for longer (2 seconds)
    - » Milk dispensing begins.
    - » Beverage dispensing ends automatically.
3. Remove the vessel.
  - » The display shows: *Easy Cleaning? (OK for start)*.
4. You can execute the Easy Cleaning programme or prepare further beverages.
  - a) Execute the Easy Cleaning programme. To do so, follow the instructions on the display. Information on this is available in section 8.4 *Using the "Easy Cleaning" programme* on page 80.
  - b) Prepare further beverages and execute the Easy Cleaning programme later.
  - » The ready symbol appears on the display.

## 5.5 Preparing hot water



**Requirement:** The ready symbol appears on the display.

1. Place a vessel beneath the outlet.
2. Press the "Hot water" direct key.
  - » Hot water dispensing begins.
  - » Beverage dispensing ends automatically.
3. Remove the vessel.
  - » The ready symbol appears on the display.

## 5.6 Preparing further beverage specialities with recipes



In addition to standard dispensing, you can select *Recipes* for further beverage specialities in the menu. The following beverage specialities are available here:

Beverage specialities without milk:

- Ristretto
- Lungo
- Americano



Beverage specialities with milk:

- Espresso Macchiato
- Caffè Latte
- Café au Lait

### Preparing Ristretto, Lungo or Americano

The preparation of Ristretto, Lungo und Americano is similar. The selection of a Ristretto is described as an example.

**Requirement:** The ready symbol appears on the display.

1. Place a vessel beneath the outlet.
2. Press the "Recipes" button.
  - » The *Recipes* menu appears on the display.
3. Use the arrow buttons to select *Ristretto*.
4. Confirm your selection with "menu/ok".
  - » The grinding process and beverage dispensing start.
  - » Beverage dispensing ends automatically.
5. Remove the vessel.
  - » The ready symbol appears on the display.

### Preparing Espresso Macchiato, Caffè Latte or Café au Lait

The preparation of Espresso Macchiato, Caffè Latte and Café au Lait is similar. The preparation of an Espresso Macchiato is described as an example.

**Requirement:** The ready symbol appears on the display and milk is connected.

1. Place a vessel beneath the outlet.
2. Press the "Recipes" button.
  - » The *Recipes* menu appears on the display.
3. Use the arrow buttons to select *Espresso Macchiato*.
4. Confirm your selection with "menu/ok".
  - » The grinding process and coffee dispensing start.
  - » Coffee dispensing is ended automatically.
  - » Milk dispensing begins.
  - » Beverage dispensing ends automatically.
5. Remove the vessel.
  - » The display shows: *Easy Cleaning? (OK for start)*.

6. You can execute the Easy Cleaning programme or prepare further beverages.
    - a) Execute the Easy Cleaning programme. To do so, follow the instructions on the display. Information on this is available in section 8.4 *Using the "Easy Cleaning" programme* on page 80.
    - b) Prepare further beverages and execute the Easy Cleaning programme later.
- » The ready symbol appears on the display.

## 5.7 Changing beverage settings before and during preparation

Beverage settings can be changed before and during beverage preparation.

### Information

The following settings only apply to the current beverage preparation.

### Changing beverage settings before preparation

The total beverage amount and the coffee strength can be changed before selecting a beverage.



- Before selecting a beverage, use the arrow buttons to set a beverage amount.
- Before selecting a beverage, use the "Coffee strength" button to set the coffee strength.

### Information

- When preparing mixed beverages, the total beverage amount is subdivided according to a specified ratio. This applies to mixed beverages made from coffee with milk or hot water.
- If a beverage is not prepared within 1 minute, the appliance switches to the default settings.

## Changing beverage settings during preparation

The beverage quantity and the coffee strength can be changed during beverage preparation.



- During beverage dispensing, use the arrow buttons to set the relevant beverage amount.
- During the grinding process, use the "Coffee strength" button to set the coffee strength.

## 5.8 Stopping beverage preparation

To stop beverage preparation prematurely, press any direct key.

## 5.9 Preparing two beverages simultaneously



The "Two cups" button is used to prepare two beverages simultaneously. Two-cup dispensing is only possible with pure coffee dispensing, such as Espresso, Café Crème, Ristretto. Two-cup dispensing is not possible with the preparation of hot water, hot milk and all mixed beverages.

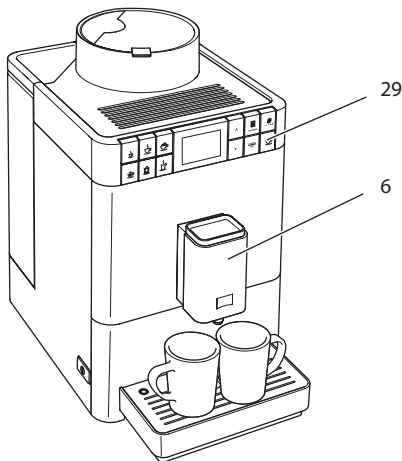


Fig. 14: Two-cup dispensing

1. Place two vessels beneath the outlet (6).
2. Press the "Two cups" button (29).
3. Continue as described for the relevant beverage preparation.

#### **i** Information

- The setting only applies to the single beverage that is prepared.
- If a beverage is not prepared within 1 minute, the appliance switches to single-cup dispensing.

## 6 Permanently changing beverage settings

The appliance offers further options for preparing coffee specialities. Default recipes can be used or the beverage settings can be permanently changed.

### 6.1 Changing default settings

Depending on the beverage, the following default settings can be changed:

- **Coffee amount:** 25 ml to 220 ml
- **Milk amount or milk froth amount:** 25 ml to 220 ml
- **Hot water amount:** 25 ml to 220 ml
- **Coffee strength:** Very mild, mild, normal, strong, very strong
- **Temperature:** Low, normal, high

#### **i** Information

Changed default settings remain valid until they are changed again.

Changing the beverage settings is similar for all beverages. Changing the coffee strength for an Espresso is described here as an example.

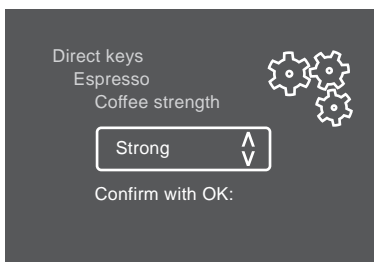


Fig. 15: Setting the coffee strength

**Requirement:** The ready symbol appears on the display.

1. Press the "menu/ok" button for longer than 2 seconds.
    - » The menu appears on the display.
  2. Navigate to the *Direct keys > Espresso > Coffee strength* menu.
  3. Use the arrow buttons to select the desired coffee strength and confirm with "menu/ok".
  4. Repeatedly select the *Exit* command to exit the menu.
    - » The ready symbol appears on the display.
- » The newly selected coffee strength is used the next time an Espresso is prepared.

## 7 Changing basic settings

Operating steps that change the appliance's basic settings are described in this chapter.

### 7.1 Setting the language

The display text language can be set.

**Requirement:** The ready symbol appears on the display.

1. Press the "menu/ok" button for longer than 2 seconds.
  - » The menu appears on the display.
2. Navigate to the *Language* menu.
3. Use the arrow buttons to select a language and confirm with "menu/ok".
4. Exit the menu with the *Exit* command.
  - » The ready symbol appears on the display.

### 7.2 Setting Auto OFF

If the appliance is not operated for a long time, it switches off automatically after a specified time. This time can be set in the *Auto Off* menu.

#### Setting the duration for Auto OFF

**Requirement:** The ready symbol appears on the display.

1. Press the "menu/ok" button for longer than 2 seconds.
  - » The menu appears on the display.
2. Navigate to the *Auto OFF* menu.
3. Use the arrow buttons to select a time and confirm with "menu/ok".
4. Exit the menu with the *Exit* command.
  - » The ready symbol appears on the display.

**i** Information

Auto OFF cannot be deactivated completely. After 8 hours without being operated at the latest, the appliance switches off.

### 7.3 Setting energy save mode

Energy save mode lowers the heating temperature.

If the appliance is not operated for a long time, it automatically switches to energy save mode after a specified time. The *Press any button* prompt then appears on the display. As soon as you follow the request, the energy save mode ends.

The period of time until energy save mode is activated is set in the *Energy save mode* menu.

**Requirement:** The ready symbol appears on the display.

1. Press the "menu/ok" button for longer than 2 seconds.
  - » The menu appears on the display.
2. Navigate to the *Energy save mode* menu.
3. Use the arrow buttons to select a period of time and confirm with "menu/ok".
4. Exit the menu with the *Exit* command.
  - » The ready symbol appears on the display.

**i** Information

Energy save mode cannot be deactivated completely. After 4 hours without being operated at the latest, the appliance switches to energy save mode.

### 7.4 Resetting the appliance to the factory settings

The appliance can be reset to the factory settings.

**i** Information

If the appliance is reset to the factory settings, all personal settings are lost.

**Requirement:** The ready symbol appears on the display.

1. Press the "menu/ok" button for longer than 2 seconds.
  - » The menu appears on the display.
2. Navigate to the *System > Factory settings* menu.
3. Use the arrow buttons to select *Reset* and confirm with "menu/ok".
  - » The ready symbol appears on the display.

## 7.5 Information on the appliance status

Information on the appliance status can be accessed via the *System > Statistics* menu. Press the "menu/ok" button to exit the menu.

The following table provides an overview of the meaning of the information.

Information	Meaning
<i>Beverages</i>	Number of beverages prepared since starting up.
<i>Descaled</i>	Number of descaling processes performed.
<i>Coffee system cleaned</i>	Number of cleaning processes performed.
<i>Milk system cleaned</i>	Number of cleaning processes performed.
<i>Filter changed</i>	Number of filter changes performed

The progress bars show the number of beverages that can still be prepared until the appliance requests you to perform cleaning, descaling or to change the filter.

### Software version

Information on the installed software version is obtained via the *System > SW Version* menu. Press the "menu/ok" button to exit the menu.

## 7.6 Setting the grinding fineness

The grinding fineness of the coffee powder influences the flavour of the coffee. The grinding fineness has been optimally set prior to delivery. We recommend adjusting the grinding fineness after around 1,000 beverages have been dispensed (after around 1 year) at the earliest.

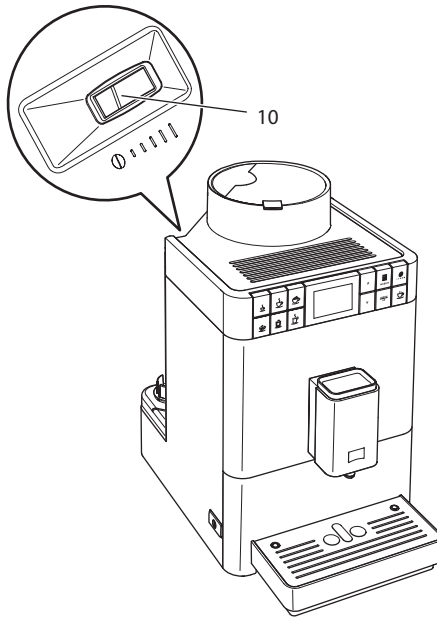


Fig. 16: Lever for setting the grinding fineness

1. Remove the water tank.
  - » The "Grinding fineness adjustment" lever (10) is visible on the housing.
2. Move the lever to the left or right, as shown on Fig. 16.
  - To the left = grinding fineness finer
  - To the right = grinding fineness coarser
3. Insert the water tank again.

### **i** Information

- If the grinding fineness is set finer, the coffee flavour is stronger.
- The grinding fineness is optimally set when the coffee flows evenly out of the outlet and a fine, dense crema appears.



## 8 Care and maintenance

Regular care and maintenance of the appliance ensure the consistent high quality of your beverages.

### 8.1 General cleaning

Clean the appliance regularly. Immediately remove external soiling caused by milk and coffee.

**ATTENTION**

**The use of unsuitable cleaning agents can lead to scratched surfaces.**

- Do not use any abrasive cloths, sponges or cleaning agents.

**Requirement:** The appliance is switched off.

- Clean the outside of the appliance with a soft, damp cloth and normal washing-up liquid.
- Rinse off the drip tray and the coffee grounds container. Use a soft, damp cloth and normal washing up liquid for this.
- Clean the bean container with a soft, dry cloth.
- The coffee grounds container (7), the cup plate (15) and the milk container (without lid, milk hose and riser pipe) can be washed in a dishwasher.

### 8.2 Rinsing the coffee system

During rinsing, the nozzles at the outlet and the internal parts of the coffee system are rinsed. As a result, rinsing water from the interior enters the drip tray.

When switched on and off, the appliance performs automatic rinsing.

Rinsing can also be carried out manually:

**Requirement:** The ready symbol appears on the display.

1. Place a vessel beneath the outlet.
2. Press the "menu/ok" button for longer than 2 seconds.
  - » The menu appears on the display.
3. Navigate to the *Care > Rinsing* menu.
  - » The appliance performs automatic rinsing.
  - » The ready symbol appears on the display.

### 8.3 Removing and cleaning the brewing unit

To avoid damage to the appliance, we recommend cleaning the brewing unit once a week.

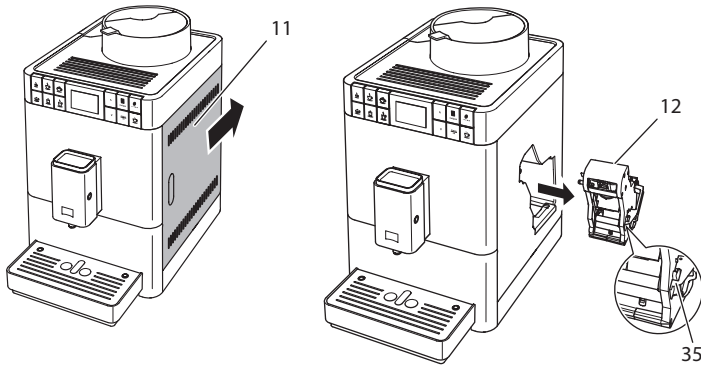


Fig. 17: Removing the brewing unit

**Requirement:** The appliance is switched off.

1. Open the cover (11). To do this, reach into the recess on the right of the appliance and push the cover off backwards. Take off the cover.
2. Press and hold the red lever (35) on the brewing unit handle (12) and turn the handle clockwise until it engages at the stop.

3. Pull the brewing unit out of the appliance by the handle.

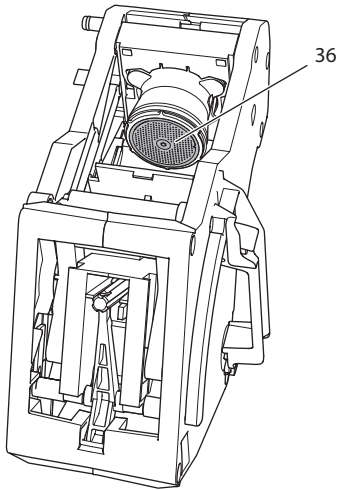


Fig. 18: Cleaning the brewing unit

4. Rinse the brewing unit thoroughly from all sides under running water.
  - » The brewing unit and the sieve (36) are free of coffee remains.
5. Allow the brewing unit to drip dry.
6. Use a soft, dry cloth to remove coffee residues from the surfaces inside the appliance.
7. Insert the brewing unit into the appliance. Press and hold the red lever on the handle of the brewing unit and turn the handle counter anti-clockwise until it engages at the stop.
8. Close the cover. To do this, insert the cover and move the cover forwards until it engages.

## 8.4 Using the "Easy Cleaning" programme

The milk system is rinsed using the "Easy Cleaning" programme.

Each time after a beverage has been prepared with milk, the appliance requests you to execute the "Easy Cleaning" programme.

The "Easy Cleaning" programme can also be run manually.

**Requirement:** The ready symbol appears on the display.

1. Place a vessel beneath the outlet.
2. Press the "menu/ok" button for longer than 2 seconds.
  - » The menu appears on the display.

3. Navigate to the *Care > Easy Cleaning* menu.
  4. Select *Start* using the arrow buttons and confirm with "menu/ok".
  5. Follow the further instructions on the display up to the end of the Easy Cleaning programme.
- » The ready symbol appears on the display.

## 8.5 Using the "Cleaning milk system" programme

A milk system cleaning agent is required for cleaning the milk system.

To maintain hygiene and avoid damage to the appliance, we recommend carrying out the cleaning programme once a week.

The cleaning programme takes approximately 3 minutes and should not be interrupted.

### ATTENTION

**Use of unsuitable milk system cleaning agents and failure to observe the processing instructions may damage the appliance.**

- Only use Melitta® PERFECT CLEAN milk system cleaning agent for fully automatic coffee makers.
- Observe the processing instructions on the packaging of the milk system cleaning agent.

**Requirement:** The ready symbol appears on the display.

1. Place the coffee grounds container (7) or a vessel with a capacity of at least 0.7 litres beneath the outlet.
  2. Press the "menu/ok" button for longer than 2 seconds.
    - » The menu appears on the display.
  3. Navigate to the *Care > Cleaning milk system* menu.
  4. Select *Start* using the arrow buttons and confirm with "menu/ok".
  5. Follow the further instructions on the display up to the end of the cleaning programme.
- » The ready symbol appears on the display.

## Cleaning the milk unit

In addition, we recommend cleaning the milk unit, the milk hose and the milk container regularly (depending on the model).

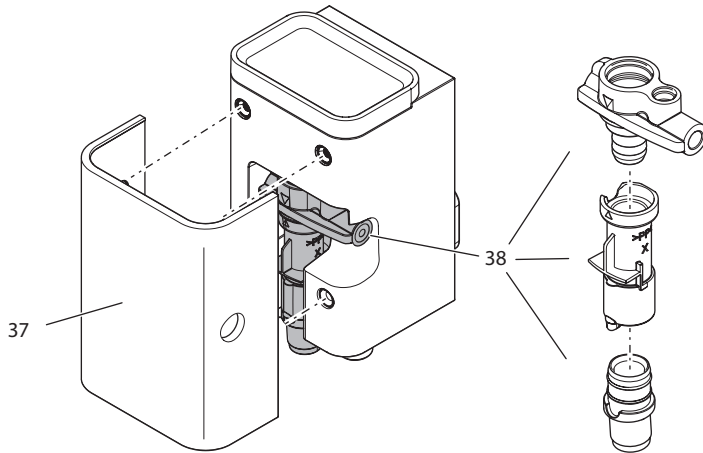


Fig. 19: Removing the milk unit

Proceed as follows to remove the milk unit:

**Requirement:** The milk hose is removed from the appliance.

1. Pull off the cover (37) forwards from the outlet.
2. Press the milk unit (38) downwards and remove it.
3. Dismantle the milk unit into three parts as shown above.
4. Clean the individual parts with warm water. Use the enclosed cleaning brush, a soft, damp cloth and normal washing-up liquid.

Installation is carried out as described in reverse order.

## 8.6 Using the "Cleaning coffee system" programme

The "Cleaning coffee system" programme is used to remove residues and coffee oil residues using fully automatic coffee maker cleaning agents.

To avoid damage to the appliance, we recommend running the cleaning programme every 2 months or as requested by the appliance.

The cleaning programme takes approximately 10 minutes and should not be interrupted.

**⚠ CAUTION**

**Contact with fully automatic coffee maker cleaning agent may lead to eye and skin irritation.**

- Observe the processing instructions on the packaging of the fully automatic coffee maker cleaning agent.

**ATTENTION**

**The use of unsuitable fully automatic coffee maker cleaning agent can damage the appliance.**

- Only use Melitta® PERFECT CLEAN cleaning tabs for fully automatic coffee makers.

**Requirement:** The ready symbol appears on the display.

1. Press the "menu/ok" button for longer than 2 seconds.
  - » The menu appears on the display.
2. Navigate to the *Care > Cleaning coffee system* menu.
3. Select *Start* using the arrow buttons and confirm with "menu/ok".
4. Follow the further instructions on the display up to the end of the cleaning programme.
  - » The ready symbol appears on the display.

## 8.7 Using the "Descaling" programme

The descaling programme is used to remove limescale deposits in the interior of the appliance with fully automatic coffee maker descaling agents.

To avoid damage to the appliance, we recommend carrying out the descaling programme every 3 months or as requested by the appliance.

The descaling programme takes approximately 25 minutes and should not be interrupted.

**⚠ CAUTION**

**Contact with fully automatic coffee maker descaling agent may lead to eye and skin irritation.**

- Observe the processing instructions on the packaging of the fully automatic coffee maker descaling agent.

**ATTENTION**

**Use of unsuitable descaling agents and failure to observe the processing instructions may damage the appliance.**

- Only use Melitta® ANTI CALC liquid descaling agent for fully automatic coffee makers.
- Observe the processing instructions on the packaging of the descaling agent.

**ATTENTION**

**A water filter may be damaged if it is screwed in during the descaling programme.**

- Remove the water filter when the appliance requests you to do so.
- Place the water filter into a vessel filled with tap water during the descaling programme.
- The water filter can be reinserted and reused when the descaling programme is complete.

**Requirement:** The ready symbol appears on the display.

1. Press the "menu/ok" button for longer than 2 seconds.
  - » The menu appears on the display.
2. Navigate to the *Care > Descaling* menu.
3. Select *Start* using the arrow buttons and confirm with "menu/ok".
4. Follow the further instructions on the display up to the end of the descaling programme.
  - » The ready symbol appears on the display.

## 8.8 Setting the water hardness

Setting the water hardness regulates how frequently you are requested to descale the appliance. The harder the water, the more frequently the appliance has to be descaled.

**Information**

The water hardness cannot be set if you use a water filter. The water hardness is automatically set to 1 = *soft* (see section 8.9 *Using a water filter* on page 85).

Determine the water hardness with the enclosed test strip. Observe the instructions on the test strip packaging and in the table *Water hardness range* on page 89.

**Requirement:** The ready symbol appears on the display.

1. Press the "menu/ok" button for longer than 2 seconds.
  - » The menu appears on the display.
2. Navigate to the *Water hardness* menu using the arrow buttons.
3. Use the arrow buttons to select the water hardness range and confirm with "menu/ok".
4. Exit the menu with the *Exit* command.
  - » The ready symbol appears on the display.

## 8.9 Using a water filter

The use of a water filter extends the service life of the appliance and the appliance has to be descaled less frequently. The water filter contained in the scope of delivery filters calcium and other pollutants out of the water.

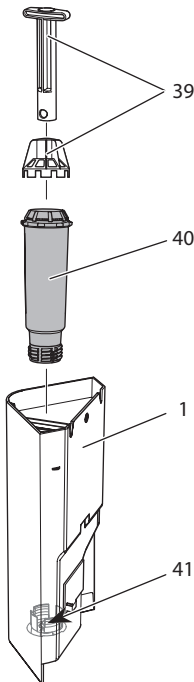


Fig. 20: Screwing/Unscrewing the water filter

The water filter (40) is screwed in and unscrewed from the thread (41) on the base of the water tank (1) using the screwing aid (39).



## Inserting the water filter

### Information

Place the water filter into a vessel filled with fresh tap water for a few minutes before inserting it.

**Requirement:** The ready symbol appears on the display.

1. Press the "menu/ok" button for longer than 2 seconds.
    - » The menu appears on the display.
  2. Navigate to the *Care > Filter > Insert filter* menu.
  3. Select *Start* using the arrow buttons and confirm with "menu/ok".
  4. Follow the further instructions on the display.
    - » The water hardness is automatically set to *Soft*.
- » The ready symbol appears on the display.

## Changing the water filter

Change the water filter when the appliance requests you to do so.

**Requirement:** The ready symbol appears on the display.

1. Press the "menu/ok" button for longer than 2 seconds.
    - » The menu appears on the display.
  2. Navigate to the *Care > Filter > Change filter* menu.
  3. Select *Start* using the arrow buttons and confirm with "menu/ok".
  4. Follow the further instructions on the display.
- » The ready symbol appears on the display.

## Removing the water filter

The water filter should not be left standing dry for a long period of time. When it is not used for a long time, we recommend storing the water filter in a vessel filled with tap water in the refrigerator.

Remove the water filter as follows:

**Requirement:** The ready symbol appears on the display.

1. Press the "menu/ok" button for longer than 2 seconds.
  - » The menu appears on the display.
2. Navigate to the *Care > Filter > Remove filter* menu.
3. Select *Start* using the arrow buttons and confirm with "menu/ok".

4. Follow the further instructions on the display.
  - » The water hardness is automatically reset to the previous setting.
  - » The ready symbol appears on the display.
5. Re-adjust the water hardness if necessary, (see section 8.8 *Setting the water hardness* on page 84).

## 9 Troubleshooting

If the actions listed below fail to rectify the problems or other problems not listed here occur, contact our hotline (local rate).

The service number can be found behind the side cover (11) or in the Service area of our website.

Problem	Cause	Action
Coffee only emerges from the outlet in drips.	Grinding fineness too fine.	<ul style="list-style-type: none"> <li>▪ Set a coarser grinding fineness (see section 7.6 on page 77).</li> </ul>
	Appliance soiled.	<ul style="list-style-type: none"> <li>▪ Clean the brewing unit (see section 8.3 on page 79).</li> <li>▪ Run the cleaning programme (see section 8.6 on page 82).</li> </ul>
	Appliance is covered inside with limescale.	<ul style="list-style-type: none"> <li>▪ Descale the appliance (see section 8.7 on page 83).</li> </ul>
Coffee does not flow.	Water tank not filled or inserted incorrectly.	<ul style="list-style-type: none"> <li>▪ Fill the water tank and ensure it is positioned correctly (see section 4.5 on page 62).</li> </ul>
	Brewing unit clogged.	<ul style="list-style-type: none"> <li>▪ Clean the brewing unit (see section 8.3 on page 79).</li> </ul>
<i>Fill beans</i> appears on the display although the bean container is full.	Coffee beans do not drop into the grinder.	<ul style="list-style-type: none"> <li>▪ Press a direct key.</li> <li>▪ Tap lightly on the bean container.</li> <li>▪ Clean the bean container.</li> <li>▪ Coffee beans too oily. Use different coffee beans.</li> </ul>
Loud grinder noise.	Foreign object in the grinder.	<ul style="list-style-type: none"> <li>▪ Contact the hotline.</li> </ul>
Brewing unit cannot be inserted after removing.	Handle for the locking mechanism of the brewing unit is not in the correct position.	<ul style="list-style-type: none"> <li>▪ Check that the handle for the locking mechanism is correctly engaged (see section 8.3 on page 79).</li> </ul>
	Drive is not in the correct position.	<ul style="list-style-type: none"> <li>▪ Press and hold the "Coffee strength" button. Also press the ON/OFF button. The appliance initialises. Release buttons again.</li> </ul>
<i>System error</i> appears on the display.	Software problem.	<ul style="list-style-type: none"> <li>▪ Switch the appliance off and on again (see section 4.1 on page 58).</li> <li>▪ Contact the hotline.</li> </ul>

## 10 Transport, storage and disposal

### 10.1 Venting the appliance

We recommend venting the appliance when it is not used for a long period, prior to transport and when there is a risk of frost.

During venting, residual water is removed from the appliance.

**Requirement:** The ready symbol appears on the display.

1. Place a vessel beneath the outlet.
2. Press the "menu/ok" button for longer than 2 seconds.
  - » The menu appears on the display.
3. Navigate to the *System > Venting* menu.
4. Select *Start* using the arrow buttons and confirm with "menu/ok".
5. Follow the further instructions on the display.
  - » The appliance switches off.

### 10.2 Transporting the appliance

#### ATTENTION

**Freezing residual water can damage the appliance.**

- Prevent the appliance from being exposed to temperatures below 0 °C.

#### Information

Transport the appliance in the original packaging. This avoids damage in transit.

Before transporting the appliance, carry out the following activities:

1. Vent the appliance (see section 10.1 *Venting the appliance* on page 88).
2. Empty the drip tray and the coffee grounds container.
3. Empty the water tank.
4. Empty the bean container.
5. Clean the appliance (see section 8.1 *General cleaning* on page 78).
6. Secure loose parts (cup plate, etc.) with suitable adhesive tape.
7. Package the appliance.

### 10.3 Disposing of the appliance



Appliances marked with this symbol are subject to the European Directive 2002/96/EC for WEEE (Waste Electrical and Electronic Equipment).

Electrical appliances do not belong in domestic waste.

- Dispose of the appliance in an environmentally friendly manner via suitable collection systems.

## 11 Technical data

Technical data	
Operating voltage	220 V to 240 V, 50 Hz
Power consumption	Maximum 1450 W
Pump pressure	Static, max. 15 bar
Dimensions	
Width	253 mm
Height	390 mm
Depth	380 mm
Capacity	
Bean container	125 g
Water tank	1.2 l
Quantity of beverage dispensed	25 ml to 220 ml
Weight (empty)	8.3 kg
Ambient conditions	
Temperature	10 °C to 32 °C
Relative humidity	30 % to 80 % (non-condensing)

Water hardness range	°d	°e	°f
Soft	0 to 10	0 to 13	0 to 18
Medium	10 to 15	13 to 19	18 to 27
Hard	15 to 20	19 to 25	27 to 36
Very hard	>20	>25	>36

Factory settings		
Espresso	Beverage amount	40 ml
	Coffee strength	Strong
	Brewing temperature	Normal
Café crème	Beverage amount	120 ml
	Coffee strength	Strong
	Brewing temperature	Normal
Cappuccino	Beverage amount	130 ml
	Coffee strength	Strong
	Brewing temperature	Normal
Latte macchiato	Beverage amount	190 ml
	Coffee strength	Strong
	Brewing temperature	Normal
Milk	Foam amount	180 ml
	Milk amount	180 ml
Hot water	Beverage amount	180 ml

## Содержание

<b>1</b>	<b>Для Вашей безопасности.....</b>	<b>445</b>
1.1	Применение по назначению .....	445
1.2	Опасность, обусловленная электрическим током .....	446
1.3	Опасность получения ожога.....	446
1.4	Общая безопасность .....	447
<b>2</b>	<b>Обзор аппарата .....</b>	<b>448</b>
2.1	Общий вид аппарата .....	448
2.2	Общий вид панели управления .....	450
<b>3</b>	<b>С чего начать .....</b>	<b>451</b>
3.1	Распаковка аппарата.....	451
3.2	Проверка комплекта поставки.....	451
3.3	Установка аппарата.....	452
3.4	Подключение аппарата.....	452
3.5	Первое включение аппарата.....	452
<b>4</b>	<b>Основные принципы управления .....</b>	<b>454</b>
4.1	Включение и выключение аппарата .....	454
4.2	Порядок использования панели управления .....	455
4.3	Навигация по меню.....	455
4.4	Засыпание кофейных зерен в контейнер .....	457
4.5	Наполнение водой .....	458
4.6	Настройка выпускного отверстия.....	459
4.7	Использование молока.....	460
4.8	Очистка поддона для сбора капель и емкости для кофейного жмыха .....	462
<b>5</b>	<b>Приготовление напитков .....</b>	<b>463</b>
5.1	Приготовление эспрессо или кофе-крема.....	463
5.2	Приготовление капучино.....	464
5.3	Приготовление латте маккиато .....	464
5.4	Приготовление молочной пены или теплого молока.....	465
5.5	Приготовление горячей воды.....	465
5.6	Приготовление других напитков с использованием рецептов...465	
5.7	Изменение настроек для напитков до, во время и после приготовления .....	467
5.8	Отмена приготовления напитка .....	468
5.9	Приготовление двух напитков одновременно .....	468
<b>6</b>	<b>Сохранение настроек для напитков.....</b>	<b>469</b>
6.1	Изменение предварительных настроек .....	469

<b>7</b>	<b>Изменение основных настроек .....</b>	<b>470</b>
7.1	Настройка языка .....	470
7.2	Настройка автоматического выключения.....	471
7.3	Настройка режима экономии энергии.....	471
7.4	Восстановление заводских установок аппарата.....	472
7.5	Информация о статусе аппарата .....	472
7.6	Настройка тонкости помола.....	473
<b>8</b>	<b>Уход и техническое обслуживание .....</b>	<b>474</b>
8.1	Общая чистка .....	474
8.2	Промывка кофейной системы .....	474
8.3	Демонтаж и чистка блока заваривания.....	475
8.4	Использование программы „Легкая чистка“ .....	476
8.5	Использование программы „Чистка молочной системы“ .....	477
8.6	Использование программы „Чистка кофейной системы“ .....	478
8.7	Использование программы „Удаление накипи“ .....	479
8.8	Настройка жесткости воды .....	480
8.9	Использование фильтра для воды.....	481
<b>9</b>	<b>Неисправности.....</b>	<b>483</b>
<b>10</b>	<b>Транспортировка, хранение и утилизация .....</b>	<b>484</b>
10.1	Выпаривание аппарата .....	484
10.2	Транспортировка аппарата.....	484
10.3	Утилизация аппарата .....	485
<b>11</b>	<b>Технические характеристики.....</b>	<b>485</b>

## Уважаемый покупатель,

Благодарим Вас за то, что Вы выбрали кофейный автомат Melitta® Passione® OT.

Данное руководство по эксплуатации поможет Вам ознакомиться с разнообразными возможностями аппарата и приготовить кофе, достойный восхищения.

Внимательно прочтите данное руководство. Это позволит Вам исключить опасность травмирования и причинения материального ущерба. Храните данное руководство в надлежащем виде. Данное руководство должно быть передано новому владельцу вместе с аппаратом.

Фирма Melitta не несет ответственности за повреждения, обусловленные несоблюдением требований данного руководства.

При необходимости получения более подробной информации или при наличии вопросов обращайтесь в официальные представительства фирмы Melitta или посетите наш сайт: [www.melitta.ru](http://www.melitta.ru)

Желаем Вам много радостных минут с кофе, приготовленным с помощью нашего нового аппарата.

## 1 Для Вашей безопасности

**CE** Аппарат соответствует действующим Европейским Директивам и произведен в соответствии с современным уровнем техники. Тем не менее, существуют остаточные риски. Во избежание опасности необходимо соблюдать указания по технике безопасности. Фирма Melitta не несет ответственности за повреждения, обусловленные несоблюдением указаний по технике безопасности.

### 1.1 Применение по назначению

Аппарат предназначен для приготовления кофейных напитков из кофейных зерен, а также для подогрева молока и воды.

Аппарат не предназначен для использования в коммерческих целях.

Любой другой вид применения считается применением не по назначению и может стать причиной получения травм и причинения материального ущерба. Фирма Melitta не несет ответственности за повреждения, причиной которых стало применение аппарата не по назначению.



## 1.2 Опасность, обусловленная электрическим током

В случае повреждения аппарата или сетевого кабеля существует опасность поражения электрическим током, представляющим угрозу Вашему здоровью.

Соблюдайте следующие указания по технике безопасности, чтобы избежать угрозы поражения электрическим током:

- Запрещается использовать поврежденный сетевой кабель.
- Замена поврежденного сетевого кабеля должна выполняться исключительно изготовителем, его службой по работе с клиентами или его сервис-партнером.
- Запрещается открывать кожухи, привинченные болтами к корпусу аппарата.
- Используйте аппарат только в технически исправном состоянии.
- Ремонт поврежденного аппарата должен выполняться исключительно в авторизованной мастерской. Запрещается самостоятельно выполнять ремонт аппарата.
- Запрещается вносить изменения в конструкцию и порядок функционирования аппарата, его компонентов и принадлежностей.
- Не допускайте погружения аппарата в воду.
- Не допускайте контакта сетевого кабеля с водой.

## 1.3 Опасность получения ожога

Подаваемая жидкость и пар могут быть очень горячими. Детали аппарата также могут нагреваться до очень высокой температуры.

Соблюдайте следующие указания по технике безопасности, чтобы предотвратить опасность получения ожога:

- Не допускайте попадания подаваемых горячих жидкостей и пара на кожу.
- Во время или непосредственно после приготовления напитков не прикасайтесь к насадкам на выпускном отверстии. Подождите, пока все детали охладятся.

## 1.4 Общая безопасность

Соблюдайте следующие указания по технике безопасности, чтобы предотвратить опасность травмирования или причинения материального ущерба:

- Не эксплуатируйте аппарат в шкафу и т. п.
- Запрещается касаться внутренних деталей аппарата в процессе его работы.
- Храните аппарат и сетевой кабель в месте, недоступном для детей младше 8 лет.
- Данный аппарат может использоваться детьми старше 8 лет, а также лицами с ограниченными физическими и психическими возможностями, либо лицами, не имеющими соответствующих знаний и опыта, только под надзором или после получения необходимых инструкций по обращению с данным аппаратом и осведомления о связанных с этим видах опасности.
- Детям запрещается играть с аппаратом. Чистка и техническое обслуживание должны выполняться только лицами старше 8 лет. Детям старше 8 лет разрешается выполнять чистку и техническое обслуживание только под надзором старших.
- Оставляя аппарат на длительное время без присмотра, отсоедините его от сети электропитания.
- Запрещается эксплуатация аппарата на высоте свыше 2000 метров над уровнем моря.
- При очистке прибора и его компонентов соблюдайте указания, приведенные в соответствующей главе (*Уход и техническое обслуживание* на стр. 474).

## 2 Обзор аппарата

### 2.1 Общий вид аппарата

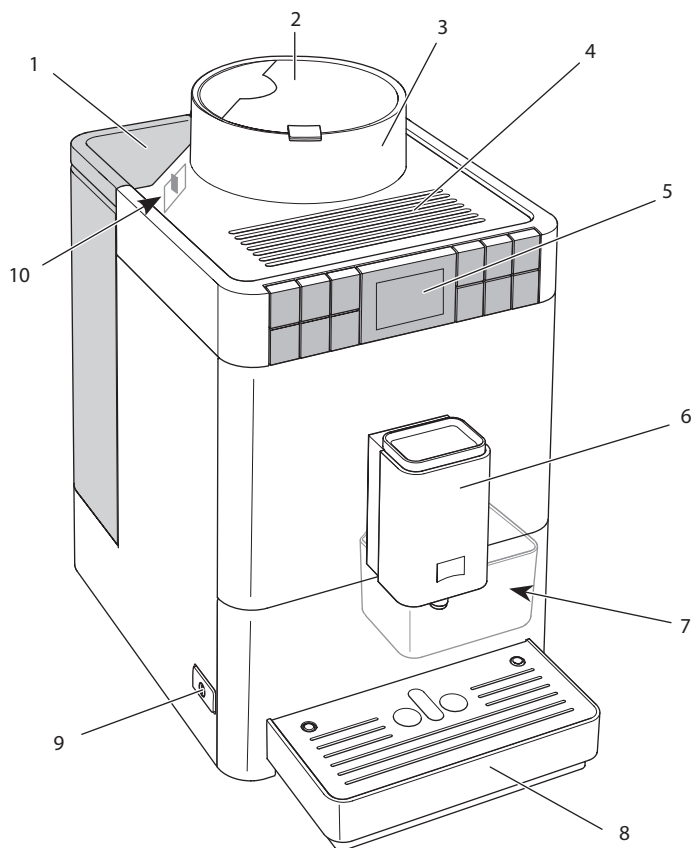


Рис. 1: Вид аппарата спереди слева

- |   |                                      |    |  |
|---|--------------------------------------|----|--|
| 1 | Контейнер для воды с крышкой         | 6  | Регулируемое по высоте выпускное отверстие с 2 насадками для подачи кофе, 1 насадкой для подачи молока, 1 насадкой для подачи горячей воды, подсветкой для чашки |
| 2 | Крышка контейнера для кофейных зерен | 7  | Емкость для кофейного жмыха (внутр.)   |
| 3 | Контейнер для кофейных зерен         | 8  | Поддон для сбора капель  |
| 4 | Подогреваемая подставка для чашек    | 9  | Кнопка "Вкл./Выкл."  |
| 5 | Панель управления                    | 10 | Рычаг "Регулировка тонкости помола" (внутри)   |

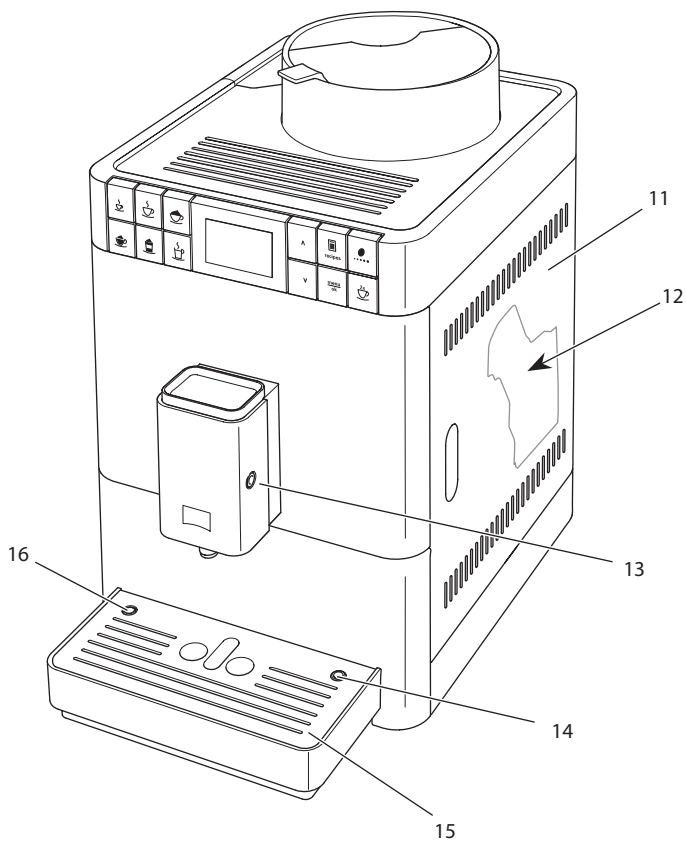


Рис. 2: Вид аппарата спереди справа

- |  |   |
|--|---|
| 11 Кожух   | 14 Разъем для подключения трубки для молока на поддоне для сбора капель |
| 12 Блок заваривания (внутри)   | 15 Подогреваемая подставка для чашек                                    |
| 13 Разъем для подключения трубки для молока на выпускном отверстии . | 16 Поплавок   |

## 2.2 Общий вид панели управления

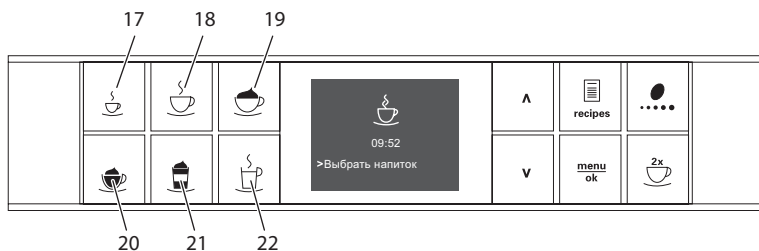


Рис. 3: Кнопки подачи

Поз.	Название	Функция
17	Эспрессо	Приготовление эспрессо
18	Кофе-крем	Приготовление кофе-крема
19	Капучино	Приготовление капучино
20	Молочная пена/ теплое молоко	Приготовление молочной пены и теплого молока
21	Латте маккиато	Приготовление латте маккиато
22	Горячая вода	Приготовление горячей воды

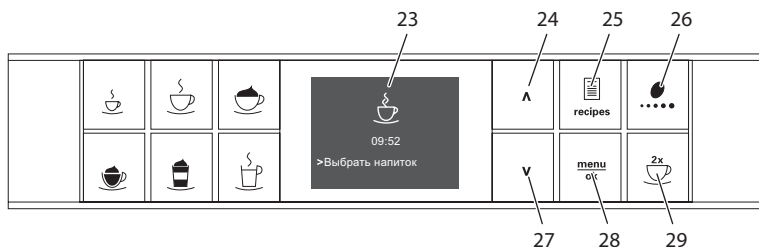


Рис. 4: Дисплей и кнопки

Поз.	Название	Функция
23	Дисплей	Индикация текущих меню и сообщений Пример: индикация готовности
24	Кнопка со стрелкой вверх	Перемещение вверх по меню, или увеличение количества
25	Рецепты	Выбор рецептов и приготовление
26	Крепость кофе	Настройка крепости кофе
27	Кнопка со стрелкой вниз	Перемещение вниз по меню, или уменьшение количества
28	меню/ok	Вызов меню или подтверждение ввода
29	Две чашки	Приготовление двух чашек кофе

## 3 С чего начать

В данной главе описывается порядок подготовки аппарата к использованию.

### 3.1 Распаковка аппарата

Наряду с аппаратом, в упаковке находятся другие принадлежности, например, чистящие средства.

#### **⚠ ОСТОРОЖНО**

**Контакт с чистящими средствами может вызвать раздражение слизистой оболочки глаз и кожных покровов.**

- Храните поставляемые в комплекте чистящие средства в недоступном для детей месте.
- Распакуйте аппарат. Снимите с аппарата упаковочный материал, клейкую ленту и защитную пленку.
- Сохраните упаковочный материал на случай транспортировки и возможной отправки изготовителю.

#### **ℹ Информация**

В аппарате могут находиться остатки кофе или воды. На заводе изготовителя проводится проверка исправности функционирования аппарата.

### 3.2 Проверка комплекта поставки

Проверьте по следующему списку комплектность поставки. В случае отсутствия деталей обратитесь к своему дилеру.

- Емкость для молока с короткой трубкой для молока
- Длинная трубка для молока
- Щетка для чистки
- Полоски для определения жесткости воды

### 3.3 Установка аппарата

Соблюдайте следующие указания:

- Не устанавливайте аппарат в помещениях с повышенной влажностью.
- Установите аппарат на устойчивую, ровную и сухую поверхность.
- Не устанавливайте аппарат вблизи моечных раковин и т. п.
- Не устанавливайте аппарат на горячие поверхности.
- Соблюдайте достаточное расстояние (около 10 см) от стены или других предметов. Сверху должно оставаться свободное пространство (не менее 20 см).
- При прокладке кабеля исключите возможность его повреждения в результате соприкосновения с острыми кромками или горячими поверхностями.

### 3.4 Подключение аппарата

Соблюдайте следующие указания:

- Убедитесь в том, что сетевое напряжение соответствует рабочему напряжению, которое указано в технических характеристиках (см. табл. Поз. на стр. 450).
- Подключайте аппарат только к установленной в соответствии с предписаниями розетке. При наличии сомнений проконсультируйтесь со специалистом по электротехнике.
- Розетка с защитным контактом должна быть оснащена предохранителем не менее чем на 10 А.

### 3.5 Первое включение аппарата

Во время первого включения можно настроить язык и жесткость воды. Впоследствии настройки можно изменить (см. главу 7 *Изменение основных настроек* на стр. 470 и главу 8.8 *Настройка жесткости воды* на стр. 480).

Для определения жесткости воды используйте прилагающуюся индикаторную полоску. Соблюдайте инструкции, указанные на упаковке индикаторной полоски, и в таблице *Диапазон жесткости воды* на стр. 486.

#### Информация

- Рекомендуется не употреблять первые две чашки кофе после первого включения.
- Если Вы хотите использовать фильтр для воды, то его рекомендуется установить только после первого включения.

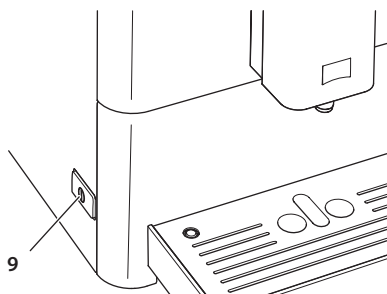


Рис. 5: Кнопка "Вкл./Выкл."

**Необходимое условие:** аппарат установлен и подключен.

1. Подставьте емкость под выпускное отверстие.
2. Нажмите на кнопку "Вкл./Выкл." .
  - » На дисплее появится приветственная надпись.
  - » Появится запрос на выполнение настройки: *Выполните настройки аппарата.*
3. Подтвердите действие, нажав на кнопку "menu/ok".
  - » Появится меню *Язык*.
4. Выберите с помощью кнопок со стрелками нужный язык. Подтвердите действие, нажав на кнопку "menu/ok"
  - » Появится меню *Жесткость воды*.
5. Выберите с помощью кнопок со стрелками определенную жесткость воды или подтвердите предварительно установленное значение, нажав на "menu/ok".
  - » Появится запрос *Пожалуйста, наполните и вставьте контейнер для воды.*
6. Снимите контейнер для воды. Промойте его чистой водой. Наполните контейнер свежей водой и вставьте на место.
  - » Аппарат нагреется и выполнит автоматическую промывку.
  - » На дисплее появится индикатор готовности.
7. Засыпьте кофейные зерна в соответствующий контейнер. Дополнительную информацию см. в главе 4.4 *Засыпание кофейных зерен в контейнер* на стр. 457.
  - » При необходимости, теперь можно установить фильтр для воды (см. главу 8.9 *Использование фильтра для воды* на стр. 481).



## 4 Основные принципы управления

В данной главе описываются основные этапы управления, необходимые для повседневного использования аппарата.

### 4.1 Включение и выключение аппарата

Перед первым включением аппарата прочтите главу 3.5 *Первое включение аппарата* на стр. 452.

#### Информация

- При включении и выключении аппарат выполняет автоматическую промывку.
- Используемая при промывке вода выводится в поддон для сбора капель.

#### Включение аппарата

1. Подставьте емкость под выпускное отверстие.
2. Нажмите на кнопку "Вкл./Выкл." (9).
  - » На дисплее появится приветственная надпись.
  - » Аппарат нагреется и выполнит автоматическую промывку.
- » На дисплее появится индикатор готовности.

#### Информация

Если аппарат был выключен лишь на короткое время, то после включения не выполняется автоматическая промывка.

#### Выключение аппарата

1. Подставьте емкость под выпускное отверстие.
2. Нажмите на кнопку "Вкл./Выкл." (9).
  - » Аппарат выполнит автоматическую промывку.
- » Затем аппарат выключится.

#### Информация

- Аппарат автоматически выключится в случае продолжительного простоя. В данном случае также будет выполнена автоматическая промывка.
- Время до отключения можно настроить в меню *Автовыключение*, см. главу 7.2 *Настройка автоматического выключения* на стр. 471.
- Если после включения напитки не готовились, или контейнер для воды оставался пустым, промывка не выполняется.

## 4.2 Порядок использования панели управления

Управление наиболее важными программами выполняется с помощью специальной панели.

Нажмите на требуемую кнопку. Для управления аппаратом с помощью кнопок используются следующие действия:



### Краткое нажатие

Нажмите на кнопку, чтобы выбрать программу.



### Продолжительное нажатие

Удерживайте кнопку нажатой в течение более 2 секунд, чтобы выбрать имеющуюся вторую программу.

## 4.3 Навигация по меню

Для индивидуальной настройки напитков, технического обслуживания и ухода необходимо вызвать меню на дисплее и переместиться в нужный пункт меню.

Соблюдайте указания, данные на дисплее.

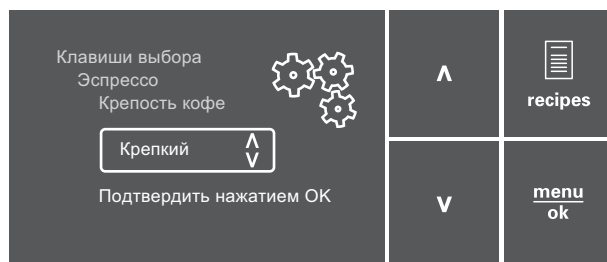


Рис. 6: Дисплей (пример) и кнопки для навигации

Для навигации по меню используйте следующие возможности:

### Вызов меню и подтверждение выбора




Удерживайте кнопку "menu/ok" нажатой в течение более 2 секунд, чтобы вызвать меню.

Нажмите на кнопку "menu/ok", чтобы подтвердить свой выбор.

## Навигация по меню или изменение числового значения

- V** **▲** Нажмите на кнопки со стрелками, чтобы переместиться вниз или вверх по меню.
- Нажмите на кнопки со стрелками, чтобы увеличить или уменьшить числовое значение.
- Удерживайте кнопку со стрелкой нажатой, чтобы быстро перейти к требуемой позиции или требуемому числовому значению.

## Выход из меню

- Exit**  С помощью кнопок со стрелками выберите команду *Выход* и подтвердите нажатием на "menu/ok", чтобы выйти из меню. Выход из подменю, в которых только отображается информация и не осуществляются настройки, осуществляется посредством нажатия на "menu/ok".

## Вызов подменю

Доступ к некоторым программам осуществляется посредством последовательного вызова нескольких подменю.

Вызов подменю выполняется всегда одинаково. Например, здесь приводится описание перехода к программе *Удаление накипи*.

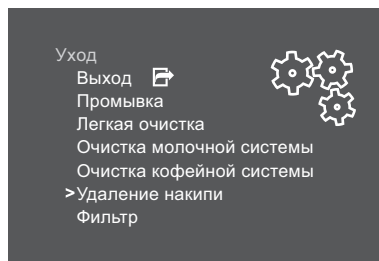


Рис. 7: Переход к программе очистки от накипи

1. Удерживайте кнопку "menu/ok" нажатой в течение 2 секунд.
  - » На дисплее появится меню.
2. С помощью кнопок со стрелками выберите опцию *Уход* и подтвердите выбор нажатием на "menu/ok".
3. С помощью кнопок со стрелками выберите опцию *Удаление накипи* и подтвердите выбор нажатием на "menu/ok".

В данном руководстве по эксплуатации выбор программы всегда отображается в сокращенном виде:

- Перейдите к меню *Уход > Удаление накипи*.

## 4.4 Засыпание кофейных зерен в контейнер

Обжаренные кофейные зерна теряют свой аромат. Засыпьте в резервуар столько кофейных зерен, сколько сможете употребить за ближайшие 3–4 дня.

### ВНИМАНИЕ

**Использование неподходящих сортов кофе может привести к засорению кофемолки.**

- Не используйте кофейные зерна, высушенные методом сублимации, или карамелизованные зерна.
- Не используйте молотый кофе или быстрорастворимые продукты.

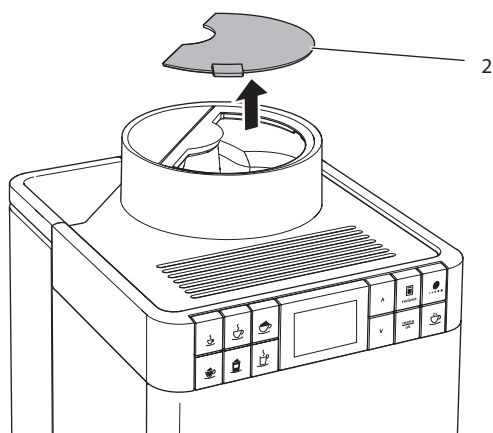


Рис. 8: Открытие крышки контейнера для кофейных зерен

1. Откройте крышку (2) контейнера для кофейных зерен.
2. Засыпьте кофейные зерна в соответствующий контейнер.
3. Закройте крышку контейнера для кофейных зерен.

## 4.5 Наполнение водой

Для оптимального вкуса напитка используйте только свежую холодную негазированную воду. Меняйте воду каждый день.

### **И** Информация

Качество воды в значительной степени определяет вкус напитка. Поэтому используйте фильтр для воды (см. главу 8.8 *Настройка жесткости воды* на стр. 480 и главу 8.9 *Использование фильтра для воды* на стр. 481).

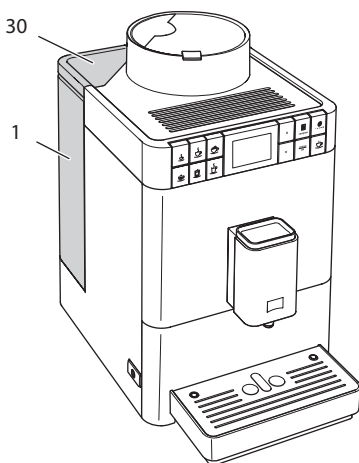


Рис. 9: Контейнер для воды

1. Откройте крышку контейнера для воды (30) и извлеките контейнер (1) из аппарата, потянув за ручку вверх.
2. Наполните контейнер водой.
3. Вставьте контейнер для воды в аппарат сверху и закройте крышку.

## 4.6 Настройка выпускного отверстия

Выпускное отверстие (6) регулируется по высоте. Установите минимальное расстояние между выпускным отверстием и емкостью. Отрегулируйте высоту выпускного отверстия в зависимости от емкости.

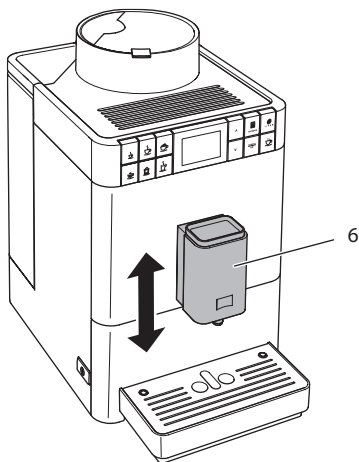


Рис. 10: Настройка выпускного отверстия

## 4.7 Использование молока

Для оптимального вкуса напитка рекомендуется использовать охлажденное молоко. В зависимости от исполнения аппарата, используйте поставляемые в комплекте длинную трубку для молока или емкость для молока.

### Подключение емкости для молока

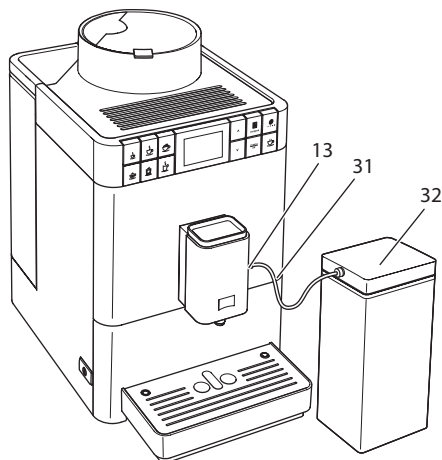


Рис. 11: Подключенная емкость для молока

1. Соедините трубку для молока (31) с разъемом на выпускном отверстии (13).
2. Соедините свободный конец трубки для молока с емкостью для молока (32).

#### **И** Информация

Храните емкость для молока в холодильнике.

## Подключение упаковки молока

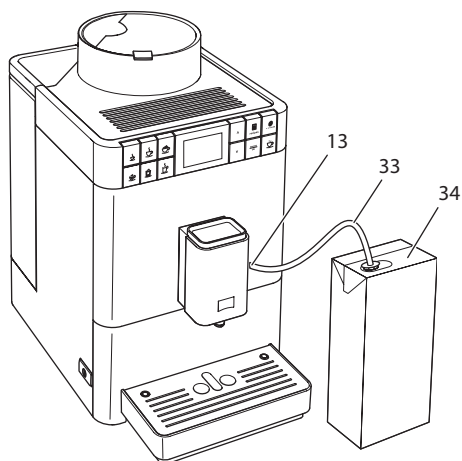


Рис. 12: Подключенная стандартная упаковка молока

1. Соедините длинную трубку для молока (33) с разъемом на выпускном отверстии (13).
2. Вставьте свободный конец трубки для молока в стандартную упаковку молока (34).



## 4.8 Очистка поддона для сбора капель и емкости для кофейного жмыха

Через несколько циклов приготовления напитков поддон для сбора капель (8) и емкость для кофейного жмыха (7) могут переполниться. Уровень наполнения поддона для сбора капель показывает выступающий поплавок (16).

Через определенное количество циклов приготовления напитков аппарат также указывает на то, что поддон для сбора капель и емкость для кофейного жмыха переполнены.

Всегда опорожняйте поддон для сбора капель и емкость для кофейного жмыха.

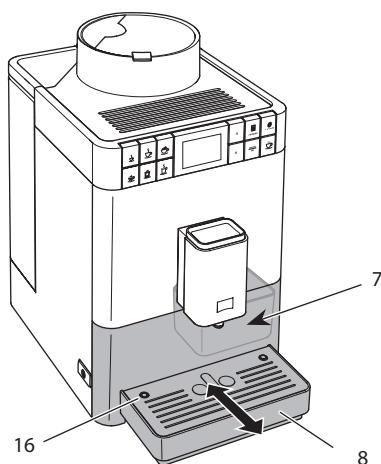


Рис. 13: Очистка поддона для сбора капель и емкости для кофейного жмыха

1. Извлеките поддон (8) из аппарата, потянув его вперед.
2. Снимите емкость для кофейного жмыха (7) и удалите жмых.
3. Слейте жидкость из поддона для сбора капель.
4. Вставьте емкость для кофейного жмыха на место.
5. Задвиньте поддон в аппарат до упора.

### Информация

При опорожнении поддона для сбора капель и емкости для кофейного жмыха в то время, как аппарат выключен, он не регистрирует этот процесс. Поэтому запрос на очистку может выдаваться несмотря на то, что поддон для сбора капель и емкость для кофейного жмыха еще не полностью заполнены.

## 5 Приготовление напитков

Для приготовления напитков предусматривается две возможности:

- стандартный вариант, как описано ниже,
- выбор и приготовление по рецепту (см. главу 5.6 *Приготовление других напитков с использованием рецептов* на стр. 465).

### Информация

Предварительные настройки стандартного приготовления или приготовления по рецепту можно изменить (см. главу 6.1 *Изменение предварительных настроек* на стр. 469).

Обратите внимание:

- В контейнере для воды всегда должно находиться достаточно воды. Если уровень наполнения недостаточен, аппарат выдаст запрос на наполнение.
- В контейнере для кофейных зерен также всегда должно иметься достаточное количество кофейных зерен. Если больше не имеется кофейных зерен, то аппарат прерывает приготовление кофейного напитка.
- Индикация на случай отсутствия молока не предусматривается.
- Емкости для напитков должны быть достаточно большими (см. таблицу *Заводские установки* на стр. 486).

### 5.1 Приготовление эспрессо или кофе-крема



**Необходимое условие:** на дисплее отображается индикатор готовности.

1. Подставьте емкость под выпускное отверстие.
2. Нажмите на кнопку подачи "Эспрессо" или "Кофе-крем".
  - » Начнется процесс помола и подачи напитка.
  - » Подача напитка закончится автоматически.
3. Снимите емкость с подставки.
  - » На дисплее появится индикатор готовности.

## 5.2 Приготовление капучино



**Необходимое условие:** на дисплее отображается индикатор готовности, и подача молока подключена.

1. Подставьте емкость под выпускное отверстие.
2. Нажмите на кнопку подачи "Капучино".
  - » Начнется процесс помола и подачи кофе.
  - » Подача кофе закончится автоматически.
  - » Начнется подача молока.
  - » Подача напитка закончится автоматически.
3. Снимите емкость с подставки.
  - » На дисплее появится *Легкая очистка? (ОК для запуска)*.
4. Можно выполнить программу Легкая очистка или продолжить приготовление напитков.
  - a) Выполните программу Легкая очистка. Следуйте при этом инструкциям на дисплее. Информацию по данной теме см. в главе 8.4 *Использование программы „Легкая очистка“* на стр. 476.
  - b) Приготовьте другие напитки, а позднее выполните программу Легкая очистка.
  - » На дисплее появится индикатор готовности.

## 5.3 Приготовление латте маккиато



**Необходимое условие:** на дисплее отображается индикатор готовности, и подача молока подключена.

1. Подставьте емкость под выпускное отверстие.
2. Нажмите на кнопку подачи "Латте маккиато".
  - » Начнется подача молока.
  - » Подача молока закончится автоматически.
  - » Начнется процесс помола и подачи кофе.
  - » Подача напитка закончится автоматически.
3. Снимите емкость с подставки.
  - » На дисплее появится *Легкая очистка? (ОК для запуска)*.
4. Можно выполнить программу Легкая очистка или продолжить приготовление напитков.
  - a) Выполните программу Легкая очистка. Следуйте при этом инструкциям на дисплее. Информацию по данной теме см. в главе 8.4 *Использование программы „Легкая очистка“* на стр. 476.
  - b) Приготовьте другие напитки, а позднее выполните программу Легкая очистка.
  - » На дисплее появится индикатор готовности.

## 5.4 Приготовление молочной пены или теплого молока



Приготовление молочной пены и теплого молока выполняется в аналогичном порядке.

**Необходимое условие:** на дисплее отображается индикатор готовности, и подача молока подключена.

1. Подставьте емкость под выпускное отверстие.
2. Нажмите на кнопку подачи "Молочная пена/теплое молоко".
  - а) Молочная пена = нажмите на кнопку
  - б) Теплое молоко = Продолжительно нажмите на кнопку (2 секунды)
    - » Начнется подача молока.
    - » подача напитка закончится автоматически.
3. Снимите емкость с подставки.
  - » На дисплее появится *Легкая очистка? (ОК для запуска)*.
4. Можно выполнить программу Легкая очистка или продолжить приготовление напитков.
  - а) Выполните программу Легкая очистка. Следуйте при этом инструкциям на дисплее. Информацию по данной теме см. в главе 8.4 *Использование программы „Легкая чистка“* на стр. 476.
  - б) Приготовьте другие напитки, а позднее выполните программу Легкая очистка.
    - » На дисплее появится индикатор готовности.

## 5.5 Приготовление горячей воды



**Необходимое условие:** на дисплее появился индикатор готовности.

1. Подставьте емкость под выпускное отверстие.
2. Нажмите на кнопку подачи "Горячая вода".
  - » Начнется подача горячей воды.
  - » подача напитка закончится автоматически.
3. Снимите емкость с подставки.
  - » На дисплее появится индикатор готовности.

## 5.6 Приготовление других напитков с использованием рецептов



Наряду со стандартными напитками, в меню *Рецепты* можно выбрать другие напитки. Предлагаются следующие виды кофейных напитков на выбор:

- Кофейные напитки без молока:
- ристретто,
  - лунго,
  - американо.

Кофейные напитки с молоком:

- эспрессо маккиато,
- латте,
- кофе с молоком.

### Приготовление ристретто, лунго или американо

Ристретто, лунго или американо приготавливаются похожим образом.

Пример: приготовление ристретто.

**Необходимое условие:** на дисплее отображается индикатор готовности.

1. Подставьте емкость под выпускное отверстие.
2. Нажмите на кнопку "Рецепты".
  - » На дисплее появится меню *Рецепты*.
3. Выберите с помощью кнопок со стрелками *Ристретто*.
4. Подтвердите выбор, нажав на "menu/ok".
  - » Начнется процесс помола и подачи напитка.
  - » Подача напитка закончится автоматически.
5. Снимите емкость с подставки.
  - » На дисплее появится индикатор готовности.

### Приготовление эспрессо маккиато, латте или кофе с молоком

Эспрессо маккиато, латте или кофе с молоком приготавливаются похожим образом. Пример: приготовление эспрессо маккиато.

**Необходимое условие:** на дисплее отображается индикатор готовности, и подача молока подключена.

1. Подставьте емкость под выпускное отверстие.
2. Нажмите на кнопку "Рецепты".
  - » На дисплее появится меню *Рецепты*.
3. Выберите с помощью кнопок со стрелками *Эспрессо маккиато*.
4. Подтвердите выбор, нажав на "menu/ok".
  - » Начнется процесс помола и подачи кофе.
  - » Подача кофе закончится автоматически.
  - » Начнется подача молока.
  - » Подача напитка закончится автоматически.
5. Снимите емкость с подставки.
  - » На дисплее появится *Легкая очистка? (ОК для запуска)*.

6. Можно выполнить программу Легкая очистка или продолжить приготовление напитков.
    - а) Выполните программу Легкая очистка. Следуйте при этом инструкциям на дисплее. Информацию по данной теме см. в главе 8.4 *Использование программы „Легкая чистка“* на стр. 476.
    - б) Приготовьте другие напитки, а позднее выполните программу Легкая очистка.
- » На дисплее появится индикатор готовности.

## 5.7 Изменение настроек для напитков до, во время и после приготовления

Можно изменить настройки для напитков во время и после приготовления.

### Информация

Следующие настройки действуют только непосредственно при приготовлении напитка.

### Изменение настроек для напитков до приготовления

Можно изменять общий объем напитка и крепость кофе до того, как будет выбран напиток.



- Прежде чем выбрать напиток, кнопками со стрелками установите нужный объем напитка.
- Прежде чем выбрать напиток, настройте с помощью кнопки "Крепость кофе" крепость кофе.

### Информация

- При приготовлении смешанных напитков общий объем напитка подразделяется в соответствии с заданным соотношением. Это касается смешанных напитков из кофе с молоком или горячей водой.
- Если в течение 1 минуты не выполняется приготовление напитка, аппарат переходит к стандартным настройкам.

## Изменение настроек для напитков в процессе приготовления

Можно изменять объем напитка и крепость кофе в процессе приготовления напитка.



- Во время подачи напитка установите кнопками со стрелками объем соответствующего напитка.
- В процессе помола настройте с помощью кнопки "Крепость кофе" крепость кофе.

## 5.8 Отмена приготовления напитка

В случае необходимости отмены приготовления напитка нажмите на любую кнопку подачи.

## 5.9 Приготовление двух напитков одновременно



С помощью кнопки "Две чашки" можно одновременно приготовить две порции напитка. Приготовление двух чашек кофе возможно только при получении чистого кофе, например, эспрессо, кофе-крем, ристретто. Приготовление двух чашек кофе не возможно при приготовлении горячей воды, горячего молока, а также всех смешанных напитков.

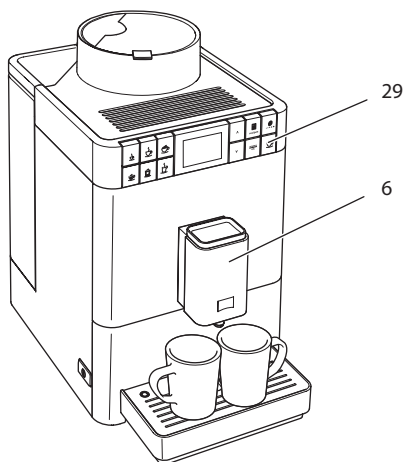


Рис. 14: Приготовление двух чашек кофе

1. Подставьте две емкости под выпускное отверстие (6).
2. Нажмите на кнопку "Две чашки" (29).
3. Для приготовления напитка действуйте в порядке, описанном для соответствующего вида напитка.

#### Информация

---

- Настройка действует только для одного единственного приготовления напитка.
  - Если в течение 1 минуты не выполняется приготовление напитка, аппарат переходит в режим приготовления одной чашки напитка.
- 

## 6 Сохранение настроек для напитков

Аппарат предусматривает дополнительные возможности для приготовления кофейных напитков. Можно использовать предварительно заданные рецепты или сохранять настройки для напитков.

### 6.1 Изменение предварительных настроек

В зависимости от напитка можно изменить следующие предварительные настройки:

- **Количество кофе:** от 25 мл до 220 мл,
- **Количество молока или количество молочной пены:** от 25 мл до 220 мл,
- **Объем горячей воды:** от 25 мл до 220 мл,
- **Крепость кофе:** экстрамягкий, мягкий, нормальный, крепкий, очень крепкий,
- **Температура:** низкая, нормальная, высокая.

#### Информация

---

Измененные предварительные настройки сохраняются до тех пор, пока не будут внесены новые изменения.

---

Изменение настроек для напитков аналогично для всех напитков. Здесь описывается пример изменения крепости кофе для одного эспрессо.



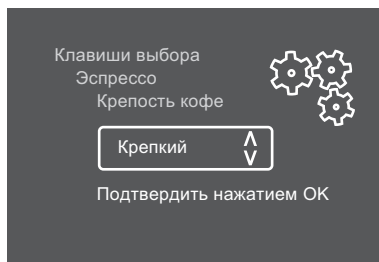


Рис. 15: Настройка крепости кофе

**Необходимое условие:** на дисплее отображается индикатор готовности.

1. Удерживайте кнопку "menu/ok" нажатой в течение более 2 секунд.
    - » На дисплее появится меню.
  2. Перейдите к меню *Кнопки подачи* > *Эспрессо* > *Крепость кофе*.
  3. С помощью кнопок со стрелками выберите нужную крепость кофе и подтвердите выбор, нажав на "menu/ok".
  4. Выберите повторно команду *Выход*, чтобы выйти из меню.
    - » На дисплее появится индикатор готовности.
- » В следующий раз при приготовлении эспрессо будет использоваться вновь выбранная настройка крепости кофе.

## 7 Изменение основных настроек

В следующей главе описываются этапы управления, необходимые для изменения основных настроек аппарата.

### 7.1 Настройка языка

Можно настроить язык отображения текстов на дисплее.

**Необходимое условие:** на дисплее отображается индикатор готовности.

1. Удерживайте кнопку "menu/ok" нажатой в течение более 2 секунд.
  - » На дисплее появится меню.
2. Перейдите в меню *Язык*.
3. С помощью кнопок со стрелками выберите язык и подтвердите выбор, нажав на "menu/ok".
4. Выйдите из меню с помощью команды *Выход*
  - » На дисплее появится индикатор готовности.

## 7.2 Настройка автоматического выключения

Аппарат автоматически выключится по истечении установленного времени в случае продолжительного простоя. Это значение времени можно настроить в меню *Автовыключение*.

### Настройка продолжительности времени для автоматического отключения

**Необходимое условие:** на дисплее отображается индикатор готовности.

1. Удерживайте кнопку "menu/ok" нажатой в течение более 2 секунд.
  - » На дисплее появится меню.
2. Перейдите в меню *Автовыключение*.
3. С помощью кнопок со стрелками выберите время и подтвердите выбор, нажав на "menu/ok".
4. Выйдите из меню с помощью команды *Выход*
  - » На дисплее появится индикатор готовности.

#### Информация

Автоматическое отключение нельзя деактивировать полностью. Аппарат автоматически отключится по истечении не более 8 часов.

## 7.3 Настройка режима экономии энергии

В режиме экономии энергии снижается температура нагрева.

В случае продолжительного простоя по истечении заданного времени аппарат автоматически переключится в режим экономии энергии. После этого на дисплее появится запрос *Нажать любую кнопку*. Если выполнить запрос, то режим экономии энергии завершается.

В меню *Режим экономии энергии* задайте время, которое должно пройти до момента перехода аппарата в режим экономии энергии.

**Необходимое условие:** на дисплее отображается индикатор готовности.

1. Удерживайте кнопку "menu/ok" нажатой в течение более 2 секунд.
  - » На дисплее появится меню.
2. Перейдите в меню *Режим экономии энергии*.
3. С помощью кнопок со стрелками выберите период времени и подтвердите выбор, нажав на "menu/ok".
4. Выйдите из меню с помощью команды *Выход*
  - » На дисплее появится индикатор готовности.

**И** Информация

Режим экономии энергии нельзя деактивировать полностью. Не более чем через 4 часа простоя аппарат переключится в режим экономии энергии.

## 7.4 Восстановление заводских установок аппарата

Можно восстановить заводские установки аппарата.

**И** Информация

В случае восстановления заводских установок аппарата теряются все персональные настройки.

**Необходимое условие:** на дисплее отображается индикатор готовности.

1. Удерживайте кнопку "menu/ok" нажатой в течение более 2 секунд.
  - » На дисплее появится меню.
2. Перейдите в меню *Система > Заводские установки*.
3. С помощью кнопок со стрелками выберите *Сброс* и подтвердите выбор, нажав на "menu/ok".
  - » На дисплее появится индикатор готовности.

## 7.5 Информация о статусе аппарата

Информацию о статусе аппарата можно получить в меню *Система > Статистика*. Для выхода из меню нажмите на кнопку "menu/ok".

В следующей таблице приводится обзор значений информации.

Информация	Значение
<i>Итого подач</i>	Количество напитков, которые были приготовлены с момента первого включения аппарата.
<i>Удалений накипи</i>	Количество циклов удаления накипи.
<i>Кофейная система очищена</i>	Количество выполненных чисток.
<i>Молочная система очищена</i>	Количество выполненных чисток.
<i>Фильтр заменен</i>	Количество выполненных замен фильтра.

Индикатор выполнения отображает оставшееся количество циклов приготовления напитка до того, как аппарат выдаст запрос на проведение чистки, удаления накипи или замены фильтра.

## Версия программного обеспечения

Информацию о версии программного обеспечения можно получить в меню Система > Версия ПО. Для выхода из меню нажмите на кнопку "menu/ok".

## 7.6 Настройка тонкости помола

Тонкость помола кофе влияет на вкус кофе. Аппарат поставляется с оптимальной настройкой тонкости помола. Рекомендуется выполнять настройку тонкости помола не ранее чем через 1000 подач кофе (примерно через 1 год).

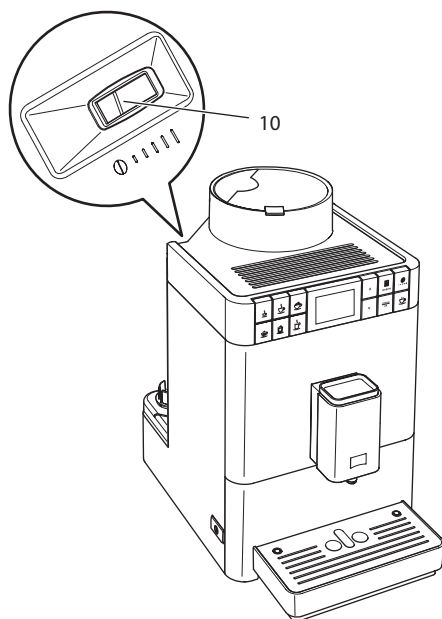


Рис. 16: Рычаг настройки тонкости помола

1. Снимите контейнер для воды.
  - » В корпусе станвится виден рычаг "Регулировка тонкости помола" (10).
2. Переместите рычаг влево или вправо, как показано на Рис. 16.
  - Влево = более мелкий помол
  - Вправо = более крупный помол
3. Установите контейнер для воды на место.

**И** Информация

- Если настроить более мелкий помол, то вкус кофе станет крепче.
- Признак оптимальной настройки тонкости помола - равномерное поступление кофе из выпускного отверстия и получение легкого густого крема.

## 8 Уход и техническое обслуживание

Регулярное выполнение ухода и технического обслуживания прибора позволит обеспечить неизменно высокое качество ваших напитков.

### 8.1 Общая чистка

Регулярно проводите чистку аппарата. Безотлагательно удаляйте внешние загрязнения в виде пятен молока и кофе.

**ВНИМАНИЕ**

**Использование неподходящих чистящих средств может стать причиной появления царапин на поверхностях.**

- Не используйте абразивные ткани, губки и чистящие средства.

**Необходимое условие:** аппарат выключен.

- Выполняйте наружную чистку аппарата при помощи мягкой, влажной ткани и стандартных средств для мытья посуды.
- Промойте поддон для сбора капель и емкость для кофейного жмыха. При этом используйте мягкую, влажную салфетку и стандартное средство для мытья посуды.
- Для чистки контейнера для зерен используйте мягкую, сухую ткань.
- Емкость для кофейного жмыха (7), подставку под чашки (15) и емкость для молока (без крышки, трубки для молока и напорной трубки) можно мыть в посудомоечной машине.

### 8.2 Промывка кофейной системы

Выполняется промывка насадок на выпускном отверстии и внутренних деталей кофейной системы. Через нее вода для промывки проходит из внутренней камеры в поддон для сбора капель.

При включении и выключении аппарат выполняет автоматическую промывку.

Промывка также может выполняться вручную:

**Необходимое условие:** на дисплее отображается индикатор готовности.

1. Подставьте емкость под выпускное отверстие.
2. Удерживайте кнопку "menu/ok" нажатой в течение более 2 секунд.
  - » На дисплее появится меню.
3. Перейдите к меню *Уход > Промывка*.
  - » Аппарат выполнит автоматическую промывку.
  - » На дисплее появится индикатор готовности.

### 8.3 Демонтаж и чистка блока заваривания

Во избежание повреждения аппарата рекомендуется выполнять чистку блока заваривания один раз в неделю.

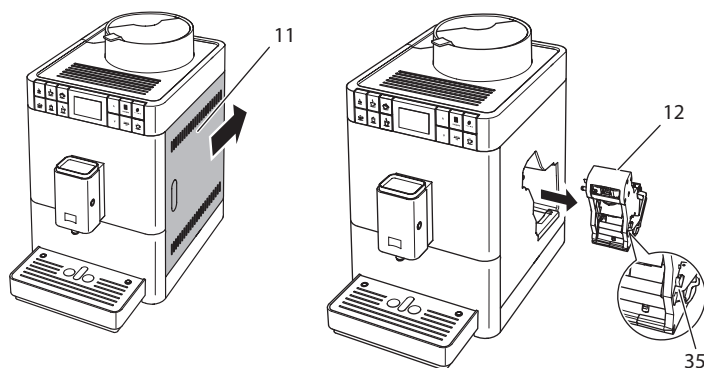


Рис. 17: Извлечение блока заваривания

**Необходимое условие:** аппарат выключен.

1. Откройте кожух (11). Для этого возьмитесь за углубление с правой стороны аппарата и сместите кожух назад. Снимите кожух.
2. Нажмите и удерживайте нажатым красный рычаг (35) на ручке блока заваривания (12), поверните рукоятку по часовой стрелке до упора со щелчком.

3. Вытащите блок заваривания за ручку из аппарата.

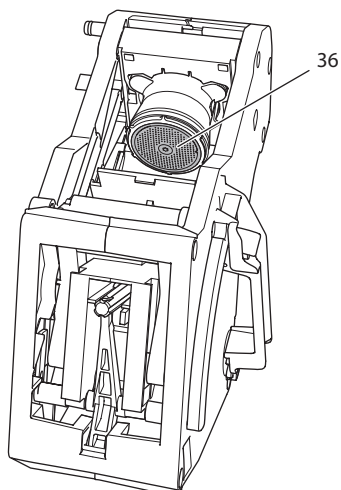


Рис. 18: Чистка блока заваривания

4. Основательно промойте блок заваривания под проточной водой со всех сторон.
  - » Блок заваривания и сито (36) очищены от остатков кофе.
5. Подождите, пока с блока заваривания стечет вода.
6. С помощью мягкой сухой ткани удалите остатки кофе с поверхностей внутри аппарата.
7. Вставьте блок заваривания в аппарат. Нажмите и удерживайте нажатый красный рычаг на ручке блока заваривания, поверните ручку против часовой стрелки до упора со щелчком.
8. Закройте кожух. Для этого вставьте кожух в аппарат и переместите его вперед до характерного щелчка.

## 8.4 Использование программы „Легкая чистка“

С помощью программы "Легкая чистка" выполняется промывка молочной системы.

Каждый раз после приготовления напитка с молоком аппарат выдает запрос на выполнение программы Легкая чистка.

Также можно выполнить программу Легкая чистка вручную.

**Необходимое условие:** на дисплее отображается индикатор готовности.

1. Подставьте емкость под выпускное отверстие.
2. Удерживайте кнопку "menu/ok" нажатой в течение более 2 секунд.
  - » На дисплее появится меню.
3. Перейдите в меню *Уход > Легкая чистка*.
4. С помощью кнопок со стрелками выберите опцию *Запуск* и подтвердите выбор, нажав на "menu/ok".
5. Следуйте дальнейшим инструкциям на дисплее до завершения программы Легкая чистка.
  - » На дисплее появится индикатор готовности.

## 8.5 Использование программы „Чистка молочной системы“

Для очистки молочной системы требуется средство для чистки молочных систем.

Из соображений гигиены, а также во избежание повреждений аппарата рекомендуем выполнять программу чистки раз в неделю.

Программа чистки длится около 3 минут и не должна прерываться.

### ВНИМАНИЕ

**Использование неподходящих средств для чистки молочной системы и несоблюдение инструкции по применению могут стать причиной повреждения аппарата.**

- Используйте только средство для чистки молочных систем кофейных автоматов Melitta® PERFECT CLEAN.
- Соблюдайте инструкции по применению, указанные на упаковке средства для чистки молочных систем.

**Необходимое условие:** на дисплее отображается индикатор готовности.

1. Подставьте емкость для кофейного жмыха (7) или емкость не менее чем на 0,7 литра под выпускное отверстие.
2. Удерживайте кнопку "menu/ok" нажатой в течение более 2 секунд.
  - » На дисплее появится меню.
3. Перейдите к меню *Уход > Чистка молочной системы*.
4. С помощью кнопок со стрелками выберите опцию *Запуск* и подтвердите выбор, нажав на "menu/ok".
5. Следуйте дальнейшим инструкциям на дисплее до завершения программы чистки.
  - » На дисплее появится индикатор готовности.



## Чистка молочной системы

Дополнительно рекомендуется регулярно проводить чистку молочной системы, трубки и емкости для молока (в зависимости от модели).

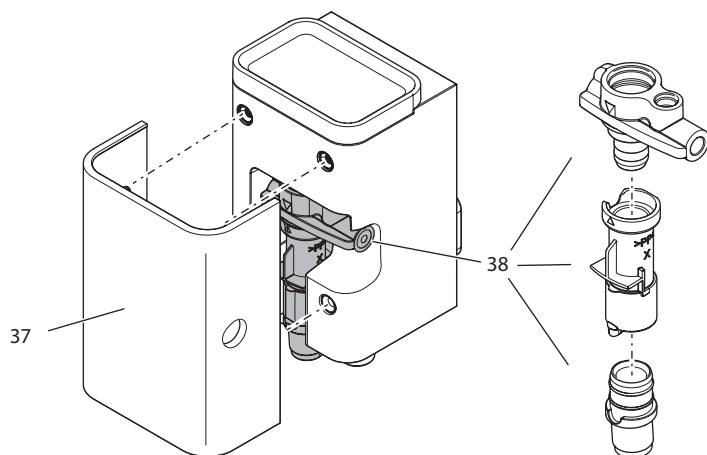


Рис. 19: Демонтаж молочной системы

Для демонтажа молочной системы выполните следующие действия:

**Необходимо условие:** трубка для молока снята с аппарата.

1. Потяните кожух (37) выпускного отверстия вперед.
2. Прижмите молочную систему (38) вниз и извлеките ее.
3. Разберите молочную систему на три части, как показано выше.
4. Выполните чистку отдельных деталей теплой водой. Используйте поставляемую в комплекте щетку, мягкую ткань и стандартное средство для мытья посуды.

Установка системы выполняется в обратном порядке.

## 8.6 Использование программы „Чистка кофейной системы“

Программа „Чистка кофейной системы“ позволяет удалять пятна и остатки кофейного масла с помощью средства для чистки кофейных автоматов.

Во избежание повреждений аппарата рекомендуется выполнять программу чистки каждые 2 месяца, или в случае появления запроса, генерируемого аппаратом.

Программа чистки длится около 10 минут и не должна прерываться.

**⚠ ОСТОРОЖНО**

**Контакт со средством для чистки кофейных автоматов может стать причиной раздражения слизистых оболочек глаз и кожи.**

- Соблюдайте инструкции по применению, указанные на упаковке средства для чистки.

**ВНИМАНИЕ**

**Использование неподходящих средств для чистки кофейных автоматов может стать причиной повреждения аппарата.**

- Используйте только таблетки для чистки кофейных автоматов Melitta® PERFECT CLEAN.

**Необходимое условие:** на дисплее отображается индикатор готовности.

1. Удерживайте кнопку "menu/ok" нажатой в течение более 2 секунд.
  - » На дисплее появится меню.
2. Перейдите к меню *Уход > Чистка кофейной системы*.
3. С помощью кнопок со стрелками выберите опцию *Запуск* и подтвердите выбор, нажав на "menu/ok".
4. Следуйте дальнейшим инструкциям на дисплее до завершения программы чистки.
  - » На дисплее появится индикатор готовности.

## 8.7 Использование программы „Удаление накипи“

Программа удаления накипи позволяет удалять отложения извести внутри аппарата с помощью средства для удаления накипи для кофейных автоматов.

Во избежание повреждения аппарата рекомендуется выполнять программу по удалению накипи каждые 3 месяца – либо при появлении запроса, генерируемого аппаратом.

Выполнение программы удаления накипи занимает около 25 минут и не должно прерываться.

**⚠ ОСТОРОЖНО**

**Контакт со средством для удаления накипи из кофейных автоматов может стать причиной раздражения слизистых оболочек глаз и кожи.**

- Соблюдайте инструкции по применению, указанные на упаковке средства для удаления накипи.

**ВНИМАНИЕ**

**Использование неподходящих средств для удаления накипи и несоблюдение инструкции по применению могут стать причиной повреждения аппарата.**

- Используйте только жидкое средство для удаления накипи в кофейных автоматах Melitta® ANTI CALC.
- Соблюдайте инструкции по применению, указанные на упаковке средства для удаления накипи.

**ВНИМАНИЕ**

**Завинченный фильтр для воды в процессе выполнения программы по удалению накипи может стать причиной повреждения аппарата.**

- Снимите фильтр для воды при поступлении соответствующего запроса от аппарата.
- В процессе выполнения программы по удалению накипи поместите фильтр для воды в емкость с водопроводной водой.
- После завершения программы по удалению накипи можно снова вставить фильтр для воды и использовать его дальше.

**Необходимое условие:** на дисплее отображается индикатор готовности.

1. Удерживайте кнопку "menu/ok" нажатой в течение более 2 секунд.
    - » На дисплее появится меню.
  2. Перейдите к меню *Уход > Удаление накипи*.
  3. С помощью кнопок со стрелками выберите опцию *Запуск* и подтвердите выбор, нажав на "menu/ok".
  4. Следуйте дальнейшим инструкциям на дисплее до завершения программы по удалению накипи.
- » На дисплее появится индикатор готовности.

## 8.8 Настройка жесткости воды

Путем настройки жесткости воды регулируют, как часто аппарат генерирует запрос на удаление накипи. Чем жестче вода, тем чаще аппарат нуждается в удалении накипи.

**И** Информация

Если используется фильтр для воды, то нельзя настроить жесткость воды. Жесткость воды автоматически установлена на 1 = *Мягкая* (см. главу 8.9 *Использование фильтра для воды* на стр. 481).

Для определения жесткости воды используйте прилагающуюся индикаторную полоску. Соблюдайте инструкции, указанные на упаковке индикаторной полоски, и в таблице *Диапазон жесткости воды* на стр. 486.

**Необходимое условие:** на дисплее отображается индикатор готовности.

1. Удерживайте кнопку "menu/ok" нажатой в течение более 2 секунд.
  - » На дисплее появится меню.
2. С помощью кнопок со стрелками перейдите к меню *Жесткость воды*.
3. С помощью кнопок со стрелками выберите диапазон жесткости воды и подтвердите выбор, нажав на "menu/ok".
4. Выйдите из меню с помощью команды *Выход*
  - » На дисплее появится индикатор готовности.

## 8.9 Использование фильтра для воды

Использование фильтра для воды продлевает срок службы аппарата и увеличивает интервалы удаления накипи. Поставляемый в комплекте фильтр для воды отфильтровывает известь и другие вредные вещества, содержащиеся в воде.

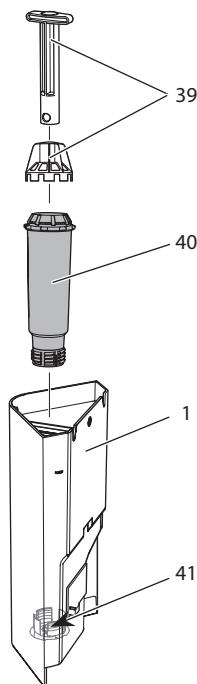


Рис. 20: Завинчивание и отвинчивание фильтра для воды

Фильтр для воды (40) завинчивается и отвинчивается с помощью специального приспособления (39) в резьбу (41) на дне контейнера для воды (1).

## Вставка фильтра

### Информация

Перед применением опустите фильтр на несколько минут в емкость со свежей трубопроводной водой.

**Необходимое условие:** на дисплее отображается индикатор готовности.

1. Удерживайте кнопку "menu/ok" нажатой в течение более 2 секунд.
    - » На дисплее появится меню.
  2. Перейдите к меню *Уход > Фильтр > Вставить фильтр*.
  3. С помощью кнопок со стрелками выберите опцию *Запуск* и подтвердите выбор, нажав на "menu/ok".
  4. Следуйте дальнейшим инструкциям на дисплее.
    - » Жесткость воды автоматически установлена на *Мягкая*.
- » На дисплее появится индикатор готовности.

## Замена фильтра для воды

Выполните замену фильтра для воды при поступлении соответствующего запроса от аппарата.

**Необходимое условие:** на дисплее отображается индикатор готовности.

1. Удерживайте кнопку "menu/ok" нажатой в течение более 2 секунд.
    - » На дисплее появится меню.
  2. Перейдите к меню *Уход > Фильтр > Замена фильтра*.
  3. С помощью кнопок со стрелками выберите опцию *Запуск* и подтвердите выбор, нажав на "menu/ok".
  4. Следуйте дальнейшим инструкциям на дисплее.
- » На дисплее появится индикатор готовности.

## Извлечение фильтра для воды

Не оставляйте фильтр для воды сухим в течение длительного времени. В случае продолжительного простоя рекомендуется хранить фильтр в емкости с трубопроводной водой, поместив ее в холодильник.

Извлеките фильтр для воды следующим образом:

**Необходимое условие:** на дисплее отображается индикатор готовности.

1. Удерживайте кнопку "menu/ok" нажатой в течение более 2 секунд.
  - » На дисплее появится меню.
2. Перейдите к меню *Уход > Фильтр > Извлечь фильтр*.

3. С помощью кнопок со стрелками выберите опцию *Запуск* и подтвердите выбор, нажав на "menu/ok".
4. Следуйте дальнейшим инструкциям на дисплее.
  - » Будет автоматически восстановлена исходная настройка жесткости воды.
  - » На дисплее появится индикатор готовности.
5. При необходимости, заново настройте жесткость воды (см. главу 8.8 *Настройка жесткости воды* на стр. 480).

## 9 Неисправности

Если не удается устранить неисправности с помощью нижеперечисленных или иных, не указанных здесь мер, обратитесь за помощью к специалистам нашей горячей линии (местный тариф).

Номер сервисной службы указан за боковой крышкой (11) и на нашем сайте [www.melitta.ru](http://www.melitta.ru) в разделе "Обслуживание" адреса сервисных центров.

Неисправность	Причина	Способ устранения
Кофе поступает из выходного отверстия по капле.	Слишком мелкий помол.	▪ Настроить более крупный помол (см. главу 7.6 на стр. 473).
	Аппарат засорился.	▪ Прочистить блок заваривания (см. главу 8.3 на стр. 475). ▪ Выполнить программу очистки (см. главу 8.6 на стр. 478).
	В аппарате образовалась накипь.	▪ Очистить аппарат от накипи (см. главу 8.7 на стр. 479).
Кофе не льется.	Контейнер для воды пуст или вставлен неправильно.	▪ Наполнить водой контейнер и убедиться, что он правильно вставлен в аппарат (см. главу 4.5 на стр. 458).
	Блок заваривания засорен.	▪ Прочистить блок заваривания (см. главу 8.3 на стр. 475).
На дисплее появился индикатор <i>Засыпать зерна</i> , хотя контейнер для зерен полон.	Кофейные зерна не попадают в кофемолку.	▪ Нажать на одну из кнопок подачи. ▪ Слегка постучать по контейнеру для кофейных зерен. ▪ Прочистить контейнер для кофейных зерен. ▪ Кофейные зерна слишком маслянистые. Использовать другие кофейные зерна.
Кофемолка издает сильный шум при работе.	В кофемолку попал посторонний предмет.	▪ Связаться со специалистами горячей линии.

Неисправность	Причина	Способ устранения
Не удается вставить на место извлеченный блок заваривания.	Неправильное положение рукоятки блокировки блока заваривания.	<ul style="list-style-type: none"> <li>Проверить, правильно ли защелкнута рукоятка блокировки блока заваривания (см. главу 8.3 на стр. 475).</li> </ul>
	Неправильное положение привода.	<ul style="list-style-type: none"> <li>Нажать и удерживать нажатой кнопку "Крепость кофе". Дополнительно нажать на кнопку "Вкл./Выкл." Аппарат выполнит инициализацию. Отпустить кнопки.</li> </ul>
На дисплее появился индикатор <i>Системная ошибка</i> .	Сбой программы.	<ul style="list-style-type: none"> <li>Выключить и снова включить аппарат (см. главу 4.1 на стр. 454).</li> <li>Связаться со специалистами горячей линии.</li> </ul>

## 10 Транспортировка, хранение и утилизация

### 10.1 Выпаривание аппарата

В случае продолжительного простоя рекомендуется выпарить аппарат перед транспортировкой, а также при вероятности замерзания во время хранения при низких температурах.

При выпаривании из аппарата удаляются остатки воды.

**Необходимое условие:** на дисплее отображается индикатор готовности.

1. Подставьте емкость под выпускное отверстие.
2. Удерживайте кнопку "menu/ok" нажатой в течение более 2 секунд.
  - » На дисплее появится меню.
3. Перейдите в меню *Система > Выпаривание*.
4. С помощью кнопок со стрелками выберите опцию *Запуск* и подтвердите выбор, нажав на "menu/ok".
5. Следуйте дальнейшим инструкциям на дисплее.
  - » Затем аппарат выключится.

### 10.2 Транспортировка аппарата

#### ВНИМАНИЕ

**Замерзание остатков воды в аппарате может привести к повреждению аппарата.**

- Не оставляйте аппарат при температуре ниже 0 °С.

**И** Информация

Транспортируйте аппарат в оригинальной упаковке. Это поможет предотвратить повреждение аппарата во время транспортировки.

Перед тем как транспортировать аппарат, выполните следующие действия:

1. Выпарите аппарат (см. главу 10.1 *Выпаривание аппарата* на стр. 484).
2. Слейте жидкость из поддона для сбора капель и емкость для кофейного жмыха.
3. Слейте воду из контейнера для воды.
4. Очистите контейнер для кофейных зерен.
5. Прочистите аппарат (см. главу 8.1 *Общая чистка* на стр. 474).
6. Зафиксируйте незакрепленные детали (подставку под чашки и т. д.) с помощью подходящей клейкой ленты.
7. Упакуйте аппарат.

### 10.3 Утилизация аппарата



Для отмеченных данным символом аппаратов действует Европейская Директива 2002/96/EG для WEEE (отработанное электрическое и электронное оборудование).

Электроприборы утилизируются отдельно от бытовых отходов.

- Утилизируйте аппарат безопасным для окружающей среды образом с помощью специальных систем сбора.

## 11 Технические характеристики

Технические характеристики	
Рабочее напряжение	от 220 до 240 В, 50 Гц
Потребляемая мощность	макс. 1450 Вт
Напор насоса	статический макс. 15 бар
Размеры	
Ширина	253 мм
Высота	390 мм
Глубина	380 мм
Емкость	
Контейнер для кофейных зерен	125 г
Контейнер для воды	1,2 л
Объем напитка	от 25 мл до 220 мл
Вес	8,3 кг
Окружающие условия	
Температура	от 10 °С до 32 °С
Относительная влажность воздуха	от 30 % до 80 % (не конденс.)



Диапазон жесткости воды	°d	°e	°f
Мягкая	от 0 до 10	от 0 до 13	от 0 до 18
Средняя	от 10 до 15	от 13 до 19	от 18 до 27
Жесткая	от 15 до 20	от 19 до 25	от 27 до 36
Очень жесткая	>20	>25	>36

Заводские установки		
Эспрессо	Объем напитка	40 мл
	Крепость кофе	Крепкий
	Температура приготовления	Нормальная
Кофе-крем	Объем напитка	120 мл
	Крепость кофе	Крепкий
	Температура приготовления	Нормальная
Капучино	Объем напитка	130 мл
	Крепость кофе	Крепкий
	Температура приготовления	Нормальная
Латте маккиато	Объем напитка	190 мл
	Крепость кофе	Крепкий
	Температура приготовления	Нормальная
Молоко	Объем пены	180 мл
	Объем молока	180 мл
Горячая вода	Объем напитка	180 мл

## Spis treści

<b>1</b>	<b>Dla Waszego bezpieczeństwa.....</b>	<b>489</b>
1.1	Zastosowanie zgodne z przeznaczeniem .....	489
1.2	Zagrożenie porażenia prądem elektrycznym.....	490
1.3	Niebezpieczeństwo oparzenia i poparzenia.....	490
1.4	Bezpieczeństwo ogólne .....	491
<b>2</b>	<b>Zestawienie urządzeń.....</b>	<b>492</b>
2.1	Zarys urządzenia .....	492
2.2	Zarys panelu obsługi .....	494
<b>3</b>	<b>Pierwsze kroki .....</b>	<b>495</b>
3.1	Rozpakowanie urządzenia.....	495
3.2	Sprawdzenie zakresu dostawy.....	495
3.3	Instalacja urządzenia .....	496
3.4	Podłączenie urządzenia.....	496
3.5	Pierwsze włączenie urządzenia.....	496
<b>4</b>	<b>Podstawowa obsługa .....</b>	<b>498</b>
4.1	Włączanie i wyłączanie urządzenia .....	498
4.2	Posługiwanie się panelem obsługi .....	499
4.3	Nawigacja w menu.....	499
4.4	Napełnianie pojemnika ziaren kawą ziarnistą.....	501
4.5	Nalewanie wody.....	502
4.6	Ustawianie wylewu .....	503
4.7	Stosowanie mleka.....	504
4.8	Opróżnianie pojemnika na skropliny i pojemnika na fusy.....	506
<b>5</b>	<b>Przyrządzanie różnych rodzajów kawy .....</b>	<b>507</b>
5.1	Przyrządzanie Espresso lub Café Crème .....	507
5.2	Przyrządzanie Cappuccino .....	508
5.3	Przyrządzanie Latte Macchiato .....	508
5.4	Przyrządzanie pianki z mleka lub ciepłego mleka .....	509
5.5	Przygotowywanie gorącej wody.....	509
5.6	Przyrządzanie dalszych specjalności do picia z recepturami.....	509
5.7	Zmiana ustawień kaw przed i w trakcie przyrządzania.....	511
5.8	Przerywanie przyrządzania kawy .....	512
5.9	Jednoczesne przyrządzanie dwóch kaw .....	512
<b>6</b>	<b>Trwała zmiana ustawień kawy .....</b>	<b>513</b>
6.1	Zmiana ustawień początkowych.....	513

<b>7</b>	<b>Zmiana ustawień podstawowych</b> .....	<b>514</b>
7.1	Ustawianie języka .....	514
7.2	Ustawianie automatycznego wyłączania.....	514
7.3	Ustawianie trybu oszczędzania energii .....	515
7.4	Resetowanie urządzenia na ustawienia fabryczne.....	516
7.5	Informacje o statusie urządzenia .....	516
7.6	Ustawianie stopnia zmielenia.....	517
<b>8</b>	<b>Pielęgnacja i konserwacja</b> .....	<b>518</b>
8.1	Ogólne czyszczenie .....	518
8.2	Proces płukania.....	518
8.3	Wymontowanie i czyszczenie modułu parzenia .....	519
8.4	Stosowanie programu „Easy Cleaning” .....	520
8.5	Stosowanie programu „Czyszczenie systemu mleka” .....	521
8.6	Stosowanie programu „Czyszczenie systemu kawy” .....	522
8.7	Stosowanie programu „Usuwanie kamienia” .....	523
8.8	Ustawianie twardości wody .....	524
8.9	Stosowanie filtra do wody .....	525
<b>9</b>	<b>Awarie</b> .....	<b>527</b>
<b>10</b>	<b>Transport, składowanie i utylizacja</b> .....	<b>528</b>
10.1	Odpowietrzenie urządzenia.....	528
10.2	Transport urządzenia.....	528
10.3	Utylizacja urządzenia.....	529
<b>11</b>	<b>Dane techniczne</b> .....	<b>529</b>

## Droga Klientko, Drogi Kliencie,

dziękujemy bardzo, że zdecydowaliście się Państwo na zakup w pełni automatycznego ekspresu do kawy Melitta® Varianza® Passione® OT.

Instrukcja obsługi pomoże Państwu zapoznać się z różnorodnymi możliwościami tego urządzenia i dostarczyć Państwu wielu radości z filiżanką doskonałej kawy.

Proszę uważnie przeczytać niniejszą instrukcję obsługi. W ten sposób unikniecie Państwo problemów zdrowotnych i szkód materialnych. Instrukcję obsługi proszę starannie przechowywać. W razie przekazania urządzenia innym osobom, należy zawsze załączyć do niego niniejszą instrukcję obsługi.

Firma Melitta nie przejmuje żadnej odpowiedzialności za szkody powstałe w wyniku nieprzestrzegania niniejszej instrukcji obsługi.

Jeżeli potrzebujecie Państwo dalszych informacji lub macie pytania dotyczące tego urządzenia, to proszę zwrócić się do firmy Melitta lub odwiedzić nas w Internecie pod adresem:  
[www.international.melitta.de](http://www.international.melitta.de)

Życzymy Państwu dużo zadowolenia z Waszego urządzenia.

## 1 Dla Waszego bezpieczeństwa

**CE** Urządzenie odpowiada obowiązującym dyrektywom europejskim i jest skonstruowane zgodnie z najnowszym stanem techniki. Mimo to istnieją jeszcze zagrożenia śladowe.

Aby unikać zagrożeń, musicie Państwo przestrzegać wskazówek dotyczących bezpieczeństwa. Melitta nie przejmuje żadnej odpowiedzialności za szkody powstałe przez nieprzestrzeganie wskazówek dotyczących bezpieczeństwa.

### 1.1 Zastosowanie zgodne z przeznaczeniem

Urządzenie służy do przyrządzania różnych rodzajów kawy z kawy ziarnistej i do podgrzewania mleka i wody.

Urządzenie przeznaczone jest do używania w prywatnym gospodarstwie domowym.

Każde inne zastosowanie uznawane jest jako niezgodne z przeznaczeniem i może prowadzić do problemów zdrowotnych i szkód materialnych. Melitta nie odpowiada za szkody, które powstają przez stosowanie urządzenia niezgodne z przeznaczeniem.

## 1.2 Zagrożenie porażenia prądem elektrycznym

Jeżeli urządzenie lub kabel sieciowy są uszkodzone, to istnieje zagrożenie życia przez porażenie prądem.

Aby unikać zagrożeń spowodowanych prądem elektrycznym, należy przestrzegać poniższych wskazówek dotyczących bezpieczeństwa:

- Nie używać uszkodzonego kabla sieciowego.
- Uszkodzony kabel sieciowy może być wymieniony wyłącznie przez producenta, jego punkt serwisowy lub jego partnera serwisowego.
- Nie otwierać żadnych ześrubowanych na stałe osłon obudowy urządzenia.
- Urządzenie używać tylko wtedy, gdy znajduje się ono w technicznie nienagannym stanie.
- Uszkodzone urządzenie może być naprawiane wyłącznie przez autoryzowany warsztat. Nie naprawiać urządzenia samemu.
- Nie dokonywać żadnych zmian w urządzeniu, jego częściach składowych i osprzęcie.
- Nie zanurzać urządzenia w wodzie.
- Nie dopuścić do zetknięcia kabla sieciowego z wodą.

## 1.3 Niebezpieczeństwo oparzenia i poparzenia

Wyciekające płyny i opary mogą być bardzo gorące. Części urządzenia stają się również bardzo gorące.

Aby unikać oparzeń i poparzeń, należy przestrzegać poniższych wskazówek dotyczących bezpieczeństwa:

- Unikać zetknięcia się skóry z wyciekającymi płynami i oparami.
- W trakcie i bezpośrednio po pobraniu kawy nie dotykać dysz na wylocie. Odczekać, aż podzespoły się ochłodzą.

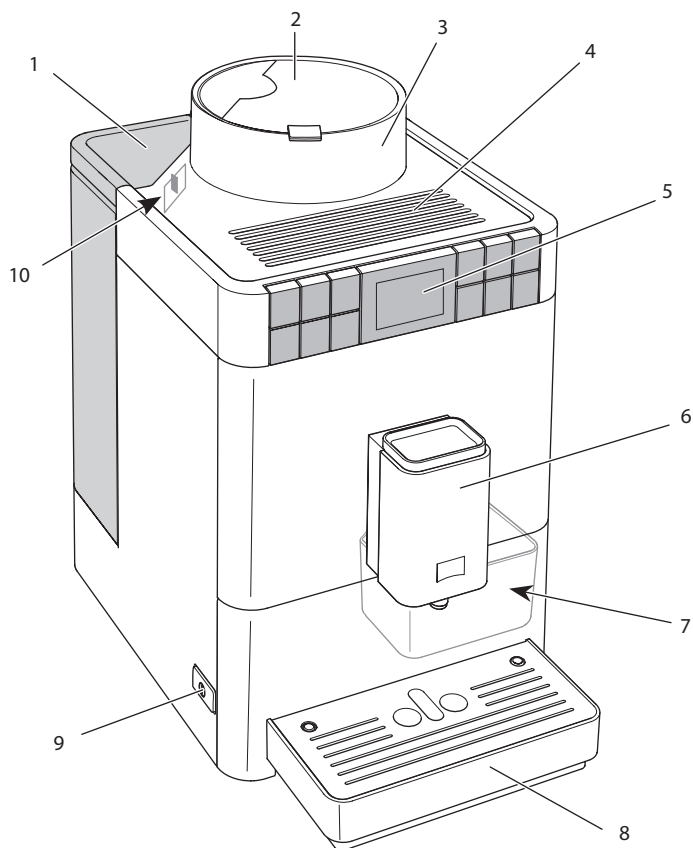
## 1.4 Bezpieczeństwo ogólne

Aby unikać problemów zdrowotnych i szkód materialnych, należy przestrzegać poniższych wskazówek dotyczących bezpieczeństwa:

- Nie eksploatować urządzenia w szafce itp.
- W trakcie pracy nie sięgać do wnętrza urządzenia.
- Urządzenie i jego kabel sieciowy utrzymywać z dala od dzieci poniżej 8 roku życia.
- Urządzenie może być używane przez dzieci powyżej 8 roku życia jak też przez osoby z obniżonymi zdolnościami psychicznymi, czuciowymi lub mentalnymi lub z brakiem doświadczenia i wiedzy, jeżeli będą one pod nadzorem lub zostały poinstruowane odnośnie bezpiecznego używania urządzenia i rozumieją wynikające z tego zagrożenia.
- Dzieciom nie wolno bawić się tym urządzeniem. Czyszczenie i konserwacja nie mogą być wykonywane przez dzieci poniżej 8 roku życia. Dzieci powyżej 8 roku życia muszą być nadzorowane przy czyszczeniu i konserwacji.
- Jeżeli urządzenie przez dłuższy czas pozostawione jest bez nadzoru, należy odłączyć je od źródła zasilania.
- Urządzenie nie może być używane na wysokości ponad 2000 m nad poziomem morza.
- Podczas czyszczenia urządzenia i jego części należy przestrzegać wskazówek w odpowiednim rozdziale (*Pielęgnacja i konserwacja* na stronie 518).

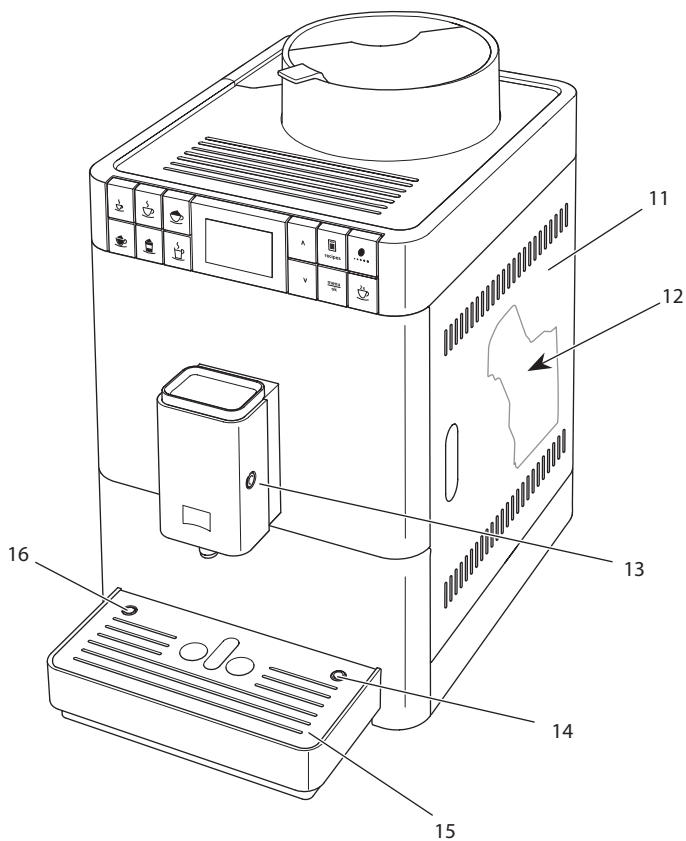
## 2 Zestawienie urządzeń

### 2.1 Zarys urządzenia



Ilustr. 1: Urządzenie z lewej strony z przodu

- |  |  |
|--|--|
| 1 Zbiornik na wodę z pokrywą           | 6 Regulowany w pionie wylot z 2 dyszami kawy, 1 dyszą mleka, 1 dyszą gorącej wody, podświetlenie filiżanek |
| 2 Pokrywa pojemnika na ziarna kawy     | 7 Pojemnik na fusy (wewnątrz)  |
| 3 Pojemnik na ziarna kawy              | 8 Kratka ociekowa  |
| 4 Płaszczyzna na odstawianie filiżanek | 9 Przycisk "Włącz/wyłącz"  |
| 5 Panel obsługi                        | 10 Dźwignia "Przestawianie stopnia zmielenia" (wewnątrz)   |

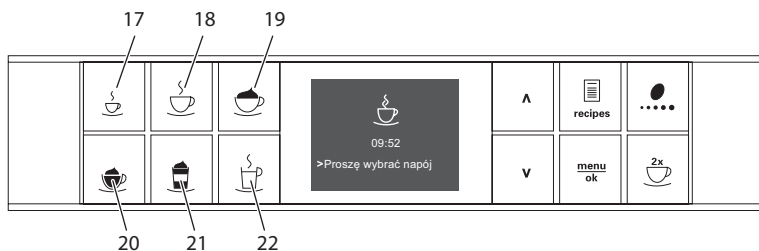


*Ilustr. 2: Urządzenie z prawej strony z przodu*

- |   |   |
|---|---|
| 11 Osłona                                 | 14 Podłączenie przewodu mleka do kratki ociekowej |
| 12 Moduł parzenia (wewnątrz)              | 15 Podstawa na filiżanki                          |
| 13 Przyłącze przewodu do mleka na wylocie | 16 Pływak   |

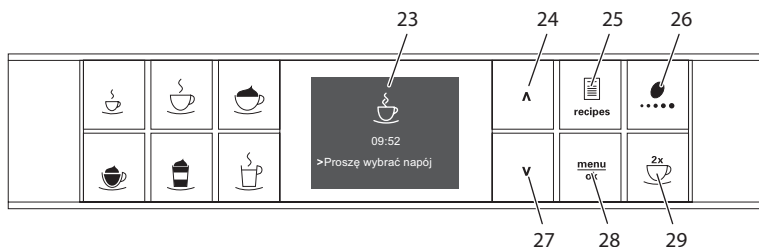


## 2.2 Zarys panelu obsługi



Ilustr. 3: Przyciski poboru

Poz.	Nazwa	Funkcja
17	Espresso	Przyrządzenie Espresso
18	Café Crème	Przyrządzenie Café Crème
19	Cappuccino	Przyrządzenie Cappuccino
20	Pianka z mleka/ ciepłe mleko	Przyrządzenie pianki z mleka i ciepłego mleka
21	Latte Macchiato	Przyrządzenie Latte Macchiato
22	Gorąca woda	Przygotowywanie gorącej wody



Ilustr. 4: Wyświetlacz i przyciski obsługi

Poz.	Nazwa	Funkcja
23	Wyświetlacz	Wyświetlanie aktualnych menu i komunikatów Przykład: wskaźnik gotowości
24	Przycisk strzałki do góry	Nawigacja w menu do góry, lub zwiększenie ilości
25	Receptury	Wybór i przyrządzenie receptur
26	Moc kawy	Ustawienie mocy kawy
27	Przycisk strzałki w dół	Nawigacja w menu w dół, lub redukcja ilości
28	menu/ok	Wywołanie menu lub potwierdzenie wprowadzenia
29	dwie filiżanki	Pobór dwóch filiżanek

## 3 Pierwsze kroki

Rozdział zawiera opis, w jaki sposób należy przygotować do użytku urządzenie, które znajduje się w Państwa posiadaniu.

### 3.1 Rozpakowanie urządzenia

W opakowaniu oprócz urządzenia znajdują się dalsze akcesoria, jak na przykład przybory i środki do czyszczenia.

#### **⚠ OSTROŻNIE**

**Kontakt ze środkami czyszczącymi może prowadzić do podrażnień oczu i skóry.**

- Załączone środki czyszczące przechowywać poza zasięgiem dzieci.
- Urządzenie rozpakować. Usunąć z urządzenia materiał opakowaniowy, taśmy klejące i folie ochronne.
- Materiał opakowaniowy zachować do transportu i ewentualnych przesyłek zwrotnych.

#### **i Informacja**

W urządzeniu mogą znajdować się ślady kawy i wody. Urządzenie było sprawdzane w fabryce odnośnie jego nienagannego funkcjonowania.

### 3.2 Sprawdzenie zakresu dostawy

Na podstawie poniższej listy należy sprawdzić kompletność dostawy. Jeśli brak jakiegokolwiek części, należy zwrócić się do dystrybutora.

- pojemnik na mleko z krótkim przewodem do mleka,
- długi przewód do mleka,
- szczotka do czyszczenia,
- papierek wskaźnikowy do ustalania twardości wody.

### 3.3 Instalacja urządzenia

Proszę przestrzegać następujących wskazówek:

- Nie instalować urządzenia w wilgotnych pomieszczeniach.
- Urządzenie ustawić na stabilnej, równej i suchej powierzchni.
- Nie instalować urządzenia w pobliżu zlewów i podobnych sprzętów.
- Nie ustawiać urządzenia na gorących powierzchniach.
- Zachowywać wystarczającą odległość około 10 cm do ściany i innych przedmiotów. Wolna przestrzeń nad urządzeniem powinna wynosić minimum 20 cm.
- Kabel sieciowy ułożyć tak, żeby nie mógł zostać uszkodzony przez krawędzie lub gorące powierzchnie.

### 3.4 Podłączenie urządzenia

Proszę przestrzegać poniższych wskazówek:

- Zabezpieczyć, żeby napięcie sieci zgadzało się z napięciem roboczym, które podane jest w danych technicznych (patrz tabela *Dane techniczne* na stronie 529).
- Urządzenie podłączać tylko do przepisowo zainstalowanego gniazdka wtykowego z zestykiem ochronnym. W razie wątpliwości, proszę zwracać się do specjalisty elektryka.
- Gniazdko wtykowe z zestykiem ochronnym musi być zabezpieczone przynajmniej za pomocą bezpiecznika 10-A.

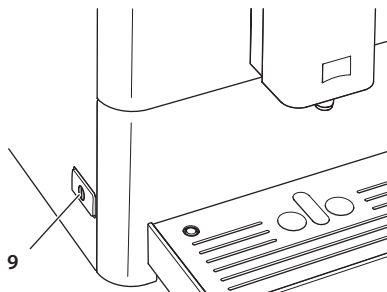
### 3.5 Pierwsze włączenie urządzenia

Podczas pierwszego uruchomienia można ustawić język i twardość wody. Te ustawienia można w późniejszym czasie zmienić (patrz rozdział 7 *Zmiana ustawień podstawowych* na stronie 514 i rozdział 8.8 *Ustawianie twardości wody* na stronie 524).

Do ustalenia twardości wody proszę użyć załączonego papierka wskaźnikowego. Proszę przestrzegać poleceń na opakowaniu papierka wskaźnikowego i tabeli *Zakres twardości wody* na stronie 530.

#### Informacja

- Zaleca się wylanie pierwszych dwóch filiżanek kawy po pierwszym uruchomieniu.
- Jeżeli chcecie Państwo używać filtra do wody, to powinniście go założyć dopiero po pierwszym uruchomieniu.



Ilustr. 5: Przycisk "Włącz/wyłącz"

**Warunek:** Urządzenie jest zainstalowane i podłączone.

1. Pod wylotem ustawić naczynie.
2. Wcisnąć przycisk "Włącz/wyłącz".
  - » Na wyświetlaczu ukazuje się powiadomienie powitalne.
  - » Ukazuje się sygnał konieczności przeprowadzenia konfiguracji: *Please Setup the machine.*
3. Potwierdzić za pomocą "menu/ok".
  - » Ukazuje się menu *Language*.
4. Używając przycisków strzałkowych wybrać Państwa język. Potwierdzić za pomocą "menu/ok".
  - » Ukazuje się menu *Twardość wody*.
5. Używając przycisków strzałkowych wybrać ustalony zakres twardości wody, lub potwierdzić ustaloną wstępnie wartość za pomocą "menu/ok".
  - » Ukazuje się polecenie *Proszę napełnić i włożyć zbiornik na wodę*.
6. Wyjąć zbiornik na wodę. Czystą wodą wypłukać zbiornik na wodę. Napełnić zbiornik na wodę świeżą wodą i wstawić.
  - » Urządzenie nagrzewa się i przeprowadza automatyczne płukanie.
  - » Na wyświetlaczu ukazuje się wskazanie gotowości.
7. Do pojemnika ziaren wsypać kawę ziarnistą. W tym celu przeczytać rozdział 4.4 *Napełnianie pojemnika ziaren kawą ziarnistą na stronie 501*.
  - » W razie potrzeby można teraz założyć filtr do wody (patrz rozdział 1.1 *Zastosowanie zgodne z przeznaczeniem na stronie 489*).

## 4 Podstawowa obsługa

Rozdział zawiera opis podstawowych etapów obsługi przy codziennej obsłudze urządzenia.

### 4.1 Włączanie i wyłączanie urządzenia

Przed włączeniem przy pierwszym uruchomieniu urządzenia przeczytać rozdział 3.5 *Pierwsze włączenie urządzenia* na stronie 496.

#### Informacja

- Przy włączaniu i wyłączaniu, urządzenie przeprowadza automatyczne płukanie.
- Podczas płukania woda odprowadzana jest do pojemnika na skropliny.

#### Włączenie urządzenia

1. Pod wylotem ustawić naczynie.
2. Wcisnąć przycisk "Włącz/wyłącz" (9).
  - » Na wyświetlaczu ukazuje się powiadomienie powitalne.
  - » Urządzenie nagrzewa się i przeprowadza automatyczne płukanie.
- » Na wyświetlaczu ukazuje się wskazanie gotowości.

#### Informacja

Jeżeli urządzenie było wyłączone tylko na krótko, to po włączeniu nie następuje automatyczne płukanie.

#### Wyłączenie urządzenia

1. Pod wylotem ustawić naczynie.
2. Wcisnąć przycisk "Włącz/wyłącz" (9)
  - » Urządzenie przeprowadza automatyczne płukanie.
- » Urządzenie wyłącza się.

#### Informacja

- Urządzenie wyłącza się automatycznie, gdy nie jest przez dłuższy czas obsługiwane. Również w tym przypadku następuje automatyczne płukanie.
- Czas wyłączenia można ustawić w menu *Auto Wyłącz*, patrz rozdział 7.2 *Ustawianie automatycznego wyłączenia* na stronie 514.
- Jeżeli od chwili włączenia nie przyrządzono żadnego napoju lub zbiornik na wodę jest pusty, to płukanie nie następuje.

## 4.2 Posługiwanie się panelem obsługi

Za pomocą panelu obsługi dostępne są istotne programy.

Wcisnąć żądany przycisk. Do obsługi przycisków stosować poniższe czynności:



### Krótkie naciskanie

Aby wybrać program, nacisnąć krótko przycisk obsługi.



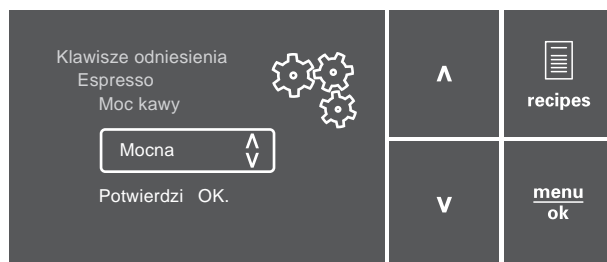
### Długo naciskanie

Aby wybrać ewentualnie istniejący drugi program, przycisk nacisnąć dłużej niż 2 sekundy.

## 4.3 Nawigacja w menu

Do ustawiania poszczególnych rodzajów kawy oraz pielęgnacji i konserwacji, trzeba na wyświetlaczu wywołać menu i w menu nawigować.

Proszę przestrzegać wskazówek na wyświetlaczu.



Ilustr. 6: Wyświetlacz (przykład) i przyciski obsługi do nawigacji

Do nawigacji w menu używać poniższych możliwości:

### Wywołanie menu i potwierdzenie wyboru



Naciskać przycisk "menu/ok" dłużej niż 2 sekundy, aby wywołać menu.

Naciskać krótko przycisk "menu/ok", aby potwierdzić wybór.


## Nawigacja w menu lub zmiana wartości cyfrowych

**V** **^** Nacisnąć przyciski strzałkowe, aby w menu nawigować w dół lub w górę.

Nacisnąć przyciski strzałkowe, aby podwyższyć lub obniżyć aktualną wartość cyfrową.

Przytrzymać wciśnięty przycisk strzałkowy, aby szybko dotrzeć do żądanej pozycji lub żądanej wartości cyfrowej.

## Opuszczanie menu

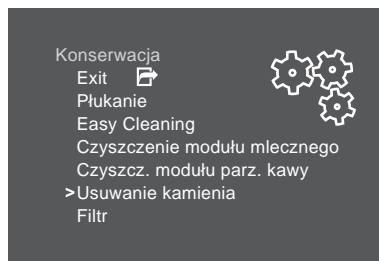
**Exit**  Używając przycisków strzałkowych wybrać polecenie *Exit* i potwierdzić za pomocą "menu/ok", aby opuścić menu.

Podmenu, które ukazują tylko informacje i w których nie dokonuje się żadnych ustawień, opuszczać za pomocą "menu/ok".

## Wywoływanie podmenu

Do niektórych programów urządzenia dociera się poprzez wywoływanie kolejno po sobie kilku podmenu.

Wywoływanie podmenu jest zawsze podobne. Przykładowo opisana jest tutaj nawigacja do programu *Usuwanie kamienia*.



*Ilustr. 7: Nawigacja do programu Usuwanie kamienia*

- Nacisnąć przez 2 sekundy przycisk "menu/ok".
  - » Na wyświetlaczu ukazuje się menu.
- Używając przycisków strzałkowych wybrać *Pielęgnacja*, i potwierdzić za pomocą "menu/ok".
- Używając przycisków strzałkowych wybrać *Usuwanie kamienia*, i potwierdzić za pomocą "menu/ok".

Wybór programu jest w tej instrukcji obsługi przedstawiany zawsze w skrócie:

- Nawigować do menu *Pielęgnacja > Usuwanie kamienia*.

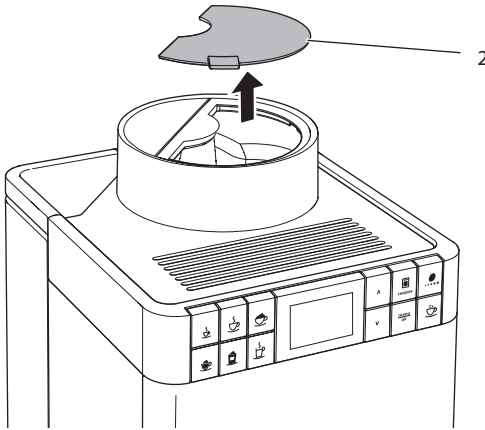
## 4.4 Napełnianie pojemnika ziaren kawą ziarnistą

Palone ziarna kawy tracą swój aromat. Do pojemnika ziaren wsypać tylko tyle ziaren kawy, ile możecie Państwo zużyć w ciągu następujących 3 do 4 dni.

### UWAGA

Używanie nieodpowiednich gatunków kawy może prowadzić do zablokowania się młynka.

- Nie używać żadnych liofilizowanych ani karmelizowanych ziaren kawy.
- Nie używać kawy mielonej ani żadnych produktów typu Instant.



Ilustr. 8: Otworzyć pokrywę pojemnika na ziarna kawy

1. Otworzyć pokrywę (2) pojemnika na ziarna kawy.
2. Do pojemnika ziaren wsypać kawę ziarnistą.
3. Zamknąć pokrywę pojemnika na ziarna kawy.

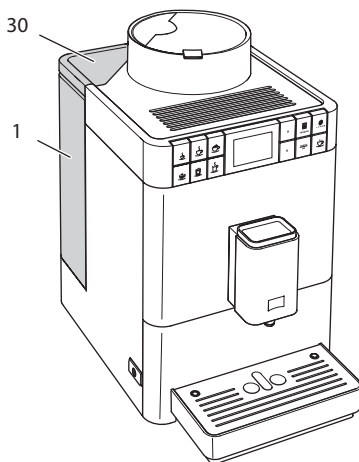


## 4.5 Nalewanie wody

Aby uzyskać optymalną satysfakcję z picia kawy, należy używać tylko świeżej, zimnej wody bez gazu. Wodę wymieniać codziennie.

### Informacja

Jakość wody w dużym stopniu decyduje o smaku kawy. Z tego powodu należy używać filtra wody (patrz rozdział 8.8 *Ustawianie twardości wody* na stronie 524 i rozdział 8.9 *Stosowanie filtra do wody* na stronie 525).

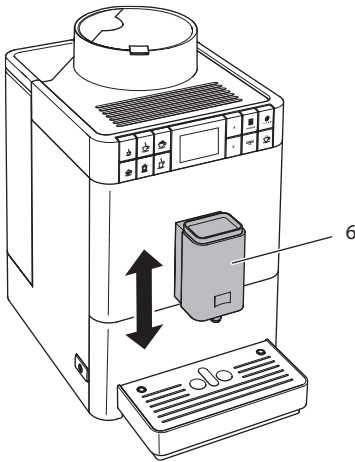


*Ilustr. 9: Zbiornik na wodę*

1. Otworzyć pokrywę zbiornika na wodę (30) i wyjąć zbiornik na wodę (1) za uchwyt do góry z urządzenia.
2. Napełnić zbiornik na wodę wodą.
3. Zbiornik na wodę wstawić z góry do urządzenia i zamknąć pokrywę.

## 4.6 Ustawianie wylewu

Wylew (6) jest z regulacją wysokości. Ustawić możliwie małą odległość między wylotem a naczyniem. W zależności od wysokości naczynia, przesunąć wylot do góry lub w dół.

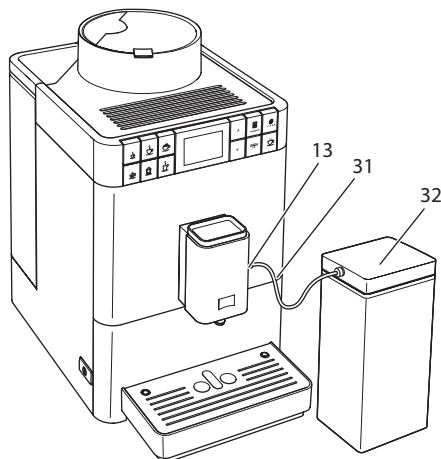


Ilustr. 10: Ustawianie wylewu

## 4.7 Stosowanie mleka

Dla optymalnej rozkoszy picia kawy należy używać schłodzonego mleka. W zależności od modelu urządzenia, używać można załączonego długiego przewodu do mleka lub załączonego pojemnika na mleko.

### Podłączenie pojemnika na mleko



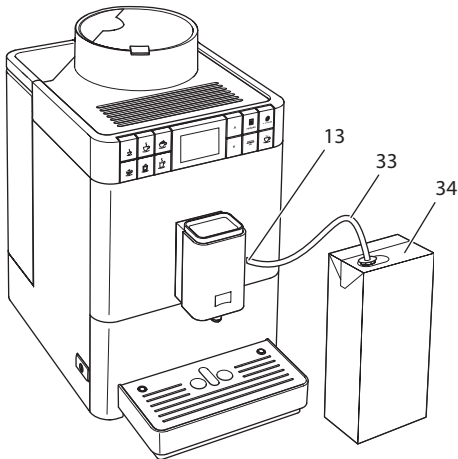
Ilustr. 11: Podłączony pojemnik na mleko

1. Połączyć przewód do mleka (31) z podłączeniem na wylocie (13).
2. Połączyć wolny koniec przewodu do mleka z pojemnikiem na mleko (32).

#### Informacja

Napełniony pojemnik na mleko przechowywać w lodówce.

## Podłączenie opakowania z mlekiem



Ilustr. 12: Podłączone standardowe opakowanie z mlekiem

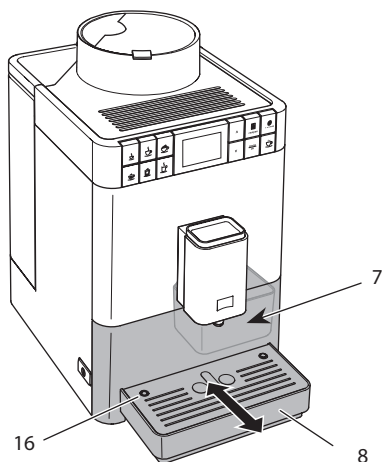
1. Połączyć długi przewód do mleka (33) z podłączeniem na wylocie (13).
2. Wolny koniec przewodu do mleka włożyć do standardowego opakowania mleka (34).

## 4.8 Opróżnianie pojemnika na skropliny i pojemnika na fusy

Po większej liczbie pobrań kawy, pojemnik na skropliny (8) i pojemnik na fusy (7) mogą być pełne. Wystający pływak (16) powiadamia o aktualnym poziomie napełnienia pojemnika na skropliny.

Urządzenie pokazuje również po ustalonej liczbie pobrań kawy, że pojemnik na skropliny i pojemnik na fusy są pełne.

Zawsze opróżniać pojemnik na skropliny i pojemnik na fusy.



Ilustr. 13: Opróżnianie pojemnika na skropliny i pojemnika na fusy

1. Pojemnik na skropliny (8) wyciągnąć z urządzenia do przodu.
2. Wyjąć pojemnik na fusy (7) i opróżnić go.
3. Opróżnić pojemnik na skropliny.
4. Wstawić pojemnik na fusy.
5. Pojemnik na skropliny wsunąć do oporu do urządzenia.

### **i** Informacja

Opróżniając pojemnik na skropliny i pojemnik na fusy, gdy urządzenie jest wyłączone, urządzenie nie rejestruje tego procesu. Z tego powodu może się zdarzyć, że ukaże się polecenie opróżniania, mimo że pojemnik na skropliny i pojemnik na fusy nie są jeszcze pełne.

## 5 Przyrządzanie różnych rodzajów kawy

Istnieją dwie możliwości przyrządzania dowolnych rodzajów kawy:

- Pobór standardowy, jak opisano poniżej,
- wybór i przyrządzanie receptury (patrz rozdział 5.6 *Przyrządzanie dalszych specjalności do picia z recepturami* na stronie 509).

### Informacja

Ustawienia wstępne dla poboru standardowego lub dla receptury, mogą zostać na trwałe zmienione (patrz rozdział 6.1 *Zmiana ustawień początkowych* na stronie 513).

Proszę przestrzegać:

- W zbiorniku na wodę powinna zawsze znajdować się wystarczająca ilość wody. Gdy poziom napełnienia jest zbyt niski, to urządzenie sygnalizuje konieczność uzupełnienia.
- Również w pojemniku na kawę ziarnistą powinna zawsze znajdować się wystarczająca ilość kawy ziarnistej. Gdy nie ma już kawy ziarnistej, to urządzenie przerywa przyrządzanie kawy.
- Urządzenie nie wskazuje braku mleka.
- Naczynia do napojów powinny być wystarczająco duże (patrz tabela *Ustawienia fabryczne* na stronie 530).

### 5.1 Przyrządzanie Espresso lub Café Crème



**Warunek:** Na wyświetlaczu ukazuje się wskazanie gotowości.



1. Pod wylotem ustawić naczynie.
2. Nacisnąć przycisk poboru "Espresso" lub "Café Crème".
  - » Startuje proces mielenia i wydanie kawy.
  - » Wydawanie kawy zostaje zakończone automatycznie.
3. Pobrać naczynie.
  - » Na wyświetlaczu ukazuje się wskazanie gotowości.

## 5.2 Przyrządzanie Cappuccino



**Wymogi:** Na wyświetlaczu ukazuje się wskazanie gotowości i mleko jest podłączone.

1. Pod wylotem ustawić naczynie.
2. Wcisnąć przycisk poboru "Cappuccino".
  - » Startuje proces mielenia i wydanie kawy.
  - » Wydawanie kawy zostaje zakończone automatycznie.
  - » Zaczyna się wydawanie mleka.
  - » Wydawanie kawy zostaje zakończone automatycznie.
3. Pobrać naczynie.
  - » Na wyświetlaczu ukazuje się *Easy Cleaning?* (OK dla zastartowania).
4. Można uruchomić program Easy Cleaning lub przyrządzać inne dowolnie wybrane rodzaje kawy.
  - a) Uruchomić program Easy Cleaning. Postępować według poleceń na wyświetlaczu. Informacje na ten temat znajdują się w rozdziale 8.4 *Stosowanie programu „Easy Cleaning”* na stronie 520.
  - b) Przygotować następne rodzaje kaw i później uruchomić program Easy Cleaning.
  - » Na wyświetlaczu ukazuje się wskazanie gotowości.

## 5.3 Przyrządzanie Latte Macchiato



**Wymogi:** Na wyświetlaczu ukazuje się wskazanie gotowości i mleko jest podłączone.

1. Pod wylotem ustawić naczynie.
2. Wcisnąć przycisk poboru "Latte Macchiato".
  - » Zaczyna się wydawanie mleka.
  - » Wydawanie mleka zostaje zakończone automatycznie.
  - » Startuje proces mielenia i wydanie kawy.
  - » Wydawanie kawy zostaje zakończone automatycznie.
3. Pobrać naczynie.
  - » Na wyświetlaczu ukazuje się *Easy Cleaning?* (OK dla zastartowania).
4. Można uruchomić program Easy Cleaning lub przyrządzać inne dowolnie wybrane rodzaje kawy.
  - a) Uruchomić program Easy Cleaning. Postępować według poleceń na wyświetlaczu. Informacje na ten temat znajdują się w rozdziale 8.4 *Stosowanie programu „Easy Cleaning”* na stronie 520.
  - b) Przygotować następne rodzaje kaw i później uruchomić program Easy Cleaning.
  - » Na wyświetlaczu ukazuje się wskazanie gotowości.

## 5.4 Przyrządzanie pianki z mleka lub ciepłego mleka



Przyrządzanie pianki z mleka i ciepłego mleka są podobne.

**Wymogi:** Na wyświetlaczu ukazuje się wskazanie gotowości i mleko jest podłączone.

1. Pod wylotem ustawić naczynie.
2. Wcisnąć przycisk poboru "pianka z mleka/ciepłe mleko".
  - a) Pianka z mleka = Krótco nacisnąć przycisk
  - b) Ciepłe mleko = Długo nacisnąć przycisk (2 sekundy)
    - » Zaczyna się wydawanie mleka.
    - » Wydawanie kawy zostaje zakończone automatycznie.
3. Pobrać naczynie.
  - » Na wyświetlaczu ukazuje się *Easy Cleaning? (OK dla zastartowania)*.
4. Można uruchomić program Easy Cleaning lub przyrządzać inne dowolnie wybrane rodzaje kawy.
  - a) Uruchomić program Easy Cleaning. Postępować według poleceń na wyświetlaczu. Informacje na ten temat znajdują się w rozdziale 8.4 *Stosowanie programu „Easy Cleaning”* na stronie 520.
  - b) Przygotować następane rodzaje kaw i później uruchomić program Easy Cleaning.
    - » Na wyświetlaczu ukazuje się wskazanie gotowości.

## 5.5 Przygotowywanie gorącej wody



**Warunek:** Na wyświetlaczu ukazuje się wskazanie gotowości.

1. Pod wylotem ustawić naczynie.
2. Wcisnąć przycisk poboru "Gorąca woda".
  - » Zaczyna się wydawanie gorącej wody.
  - » Wydawanie kawy zostaje zakończone automatycznie.
3. Pobrać naczynie.
  - » Na wyświetlaczu ukazuje się wskazanie gotowości.

## 5.6 Przyrządzanie dalszych specjalności do picia z recepturami



Oprócz poboru standardowego można w menu *Receptury* wybrać dalsze specjalności do picia. Tutaj do dyspozycji są następujące specjalności:

Specjalności bez mleka:

- Ristretto,
- Lungo,
- Americano.



Specjalności z mlekiem:

- Espresso Macchiato,
- Caffè Latte,
- Café au Lait.

### Przyrządzanie Ristretto, Lungo lub Americano

Przyrządzanie Ristretto, Lungo i Americano jest podobne. Przykładowo opisane jest tutaj przyrządzanie Ristretto.

**Warunek:** Na wyświetlaczu ukazuje się wskazanie gotowości.

1. Pod wylotem ustawić naczynie.
2. Naciśnąć przycisk obsługi "Receptury".
  - » Na wyświetlaczu ukazuje się menu *Receptury*.
3. Używając przycisków strzałkowych wybrać *Ristretto*.
4. Potwierdzić wybór za pomocą "menu/ok".
  - » Startuje proces mielenia i wydanie kawy.
  - » Wydawanie kawy zostaje zakończone automatycznie.
5. Pobrać naczynie.
  - » Na wyświetlaczu ukazuje się wskazanie gotowości.

### Przyrządzanie Espresso Macchiato, Caffè Latte lub Café au Lait

Przyrządzanie Espresso Macchiato, Caffè Latte i Café au Lait jest podobne. Przykładowo opisane jest tutaj przyrządzanie Espresso Macchiato.

**Wymogi:** Na wyświetlaczu ukazuje się wskazanie gotowości i mleko jest podłączone.

1. Pod wylotem ustawić naczynie.
2. Naciśnąć przycisk obsługi "Receptury".
  - » Na wyświetlaczu ukazuje się menu *Receptury*.
3. Używając przycisków strzałkowych wybrać *Espresso Macchiato*.
4. Potwierdzić wybór za pomocą "menu/ok".
  - » Startuje proces mielenia i wydanie kawy.
  - » Wydawanie kawy zostaje zakończone automatycznie.
  - » Zaczyna się wydawanie mleka.
  - » Wydawanie kawy zostaje zakończone automatycznie.
5. Pobrać naczynie.
  - » Na wyświetlaczu ukazuje się *Easy Cleaning? (OK dla zastartowania)*.

6. Można uruchomić program Easy Cleaning lub przyrządzać inne dowolnie wybrane rodzaje kawy.
    - a) Uruchomić program Easy Cleaning. Postępować według poleceń na wyświetlaczu. Informacje na ten temat znajdują się w rozdziale 8.4 *Stosowanie programu „Easy Cleaning”* na stronie 520.
    - b) Przygotować następane rodzaje kaw i później uruchomić program Easy Cleaning.
- » Na wyświetlaczu ukazuje się wskazanie gotowości.

## 5.7 Zmiana ustawień kaw przed i w trakcie przyrządzania

Ustawienia kaw można zmieniać przed i w trakcie przyrządzania kaw.

### Informacja

Poniższe ustawienia obowiązują tylko dla aktualnego przyrządzania napojów.

### Zmiana ustawień kawy przed przyrządzeniem

Przed wyborem kawy można zmienić ogólną ilość i moc kawy.



- Przed wyborem kawy ustawić ilość kawy za pomocą przycisków strzałkowych.
- Przed wyborem kawy ustawić moc kawy za pomocą przycisku obsługi "Moc kawy".

### Informacja

- Przy przyrządzaniu kawy mieszanej ogólna ilość kawy zostaje podzielona według wyznaczonej proporcji. Dotyczy to kaw mieszanych z mlekiem lub gorącą wodą.
- Jeżeli w ciągu 1 minuty nie przyrządza się żadnej kawy, to urządzenie przełącza się na ustawienia standardowe.

## Zmiana ustawień kawy w trakcie przyrządzania

Ilość i moc kawy można zmieniać w trakcie jej przyrządzania.



- W trakcie wydawania kawy należy ustawić każdorazową jej ilość za pomocą przycisków strzałkowych.
- W trakcie procesu mielenia należy ustawić moc kawy za pomocą przycisku obsługi "Moc kawy".

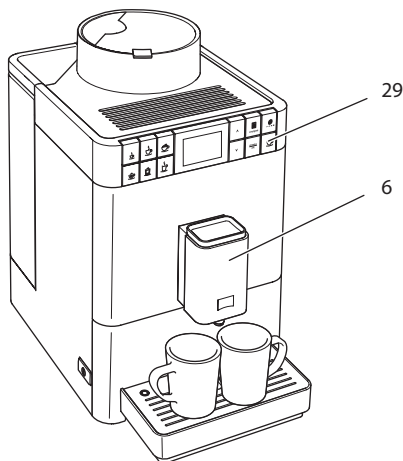
## 5.8 Przerwanie przyrządzania kawy

Jeżeli chce się przed czasem przerwać przyrządzanie kawy, to należy nacisnąć dowolny przycisk poboru.

## 5.9 Jednoczesne przyrządzanie dwóch kaw



Za pomocą przycisku obsługi "dwie filiżanki" przyrządza się jednocześnie dwie kawy. Pobór dwóch filiżanek możliwy jest tylko przy wyłącznym poborze kawy, jak na przykład Espresso, Café Crème, Ristretto. Pobór dwóch filiżanek kawy nie jest możliwy przy przyrządzaniu gorącej wody, gorącego mleka jak też wszystkich kaw mieszanych.



Ilustr. 14: Pobór dwóch filiżanek

1. Pod wylotem ustawić dwa naczynia (6).
2. Nacisnąć przycisk obsługi "dwie filiżanki" (29).
3. Dalej postępować jak opisano przy poszczególnym przyrządzeniu wybranej kawy.

#### Informacja

- To ustawienie obowiązuje tylko dla pojedynczego przyrządzenia kawy.
- Jeżeli w ciągu 1 minuty nie przyrządza się żadnej kawy, to urządzenie przełącza się na pobór jednej filiżanki.

## 6 Trwała zmiana ustawień kawy

Urządzenie oferuje dalsze możliwości przyrządzania specjalności kawowych. Można używać ustawionych domyślnie receptur lub trwale zmienić ustawienia kaw.

### 6.1 Zmiana ustawień początkowych

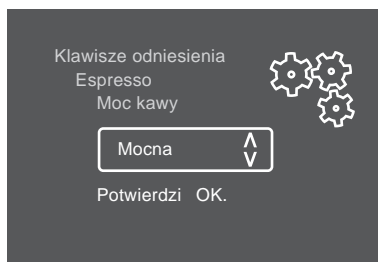
W zależności od kawy, można zmienić poniższe ustawienia początkowe:

- **Ilość kawy:** 25 ml do 220 ml,
- **Ilość mleka lub pianki z mleka:** 25 ml do 220 ml,
- **Ilość gorącej wody:** 25 ml do 220 ml,
- **Moc kawy:** Bardzo łagodna, Łagodna, Normalna, Mocna, Bardzo mocna,
- **Temperatura:** Niska, Normalna, Wysoka.

#### Informacja

Zmienione ustawienia wstępne pozostają tak długo ważne, dopóki nie zostaną ponownie zmienione.

Zmiana ustawień kawy jest przy wszystkich jej rodzajach podobna. Przykładowo opisano tutaj zmianę mocy kawy dla Espresso.



Ilustr. 15: Ustawianie mocy kawy

**Warunek:** Na wyświetlaczu ukazuje się wskazanie gotowości.

1. Nacisnąć przez ponad 2 sekundy przycisk obsługi "menu/ok".
    - » Na wyświetlaczu ukazuje się menu.
  2. Nawigować do menu *Przyciski poboru > Espresso > Moc kawy*.
  3. Używając przycisków strzałkowych wybrać żądaną moc kawy i potwierdzić za pomocą "menu/ok".
  4. Wybrać ponownie polecenie *Exit*, aby opuścić menu.
    - » Na wyświetlaczu ukazuje się wskazanie gotowości.
- » Przy następnych przyrządzeniach Espresso zastosowana zostanie nowo wybrana moc kawy.

## 7 Zmiana ustawień podstawowych

W poniższym rozdziale objaśnione będą kolejne etapy obsługi, które zmieniają podstawowe ustawienia urządzenia.

### 7.1 Ustawianie języka

Można ustawić język tekstów na wyświetlaczu.

**Warunek:** Na wyświetlaczu ukazuje się wskazanie gotowości.

1. Nacisnąć przez ponad 2 sekundy przycisk obsługi "menu/ok".
  - » Na wyświetlaczu ukazuje się menu.
2. Nawigować do menu *Język*.
3. Używając przycisków strzałkowych wybrać język i potwierdzić za pomocą "menu/ok".
4. Opuścić menu za pomocą polecenia *Exit*.
  - » Na wyświetlaczu ukazuje się wskazanie gotowości.

### 7.2 Ustawianie automatycznego wyłączenia

Urządzenie wyłącza się po wyznaczonym czasie automatycznie, gdy nie jest przez dłuższy czas obsługiwane. Ten czas można ustawić w menu *Auto Wyłącz*.

#### Ustawianie okresu czasu do automatycznego wyłączenia

**Warunek:** Na wyświetlaczu ukazuje się wskazanie gotowości.

1. Nacisnąć przez ponad 2 sekundy przycisk obsługi "menu/ok".
  - » Na wyświetlaczu ukazuje się menu.
2. Nawigować do menu *Auto Wyłącz*.

3. Używając przycisków strzałkowych wybrać czas i potwierdzić za pomocą "menu/ok".
  4. Opuścić menu za pomocą polecenia *Exit*.
- » Na wyświetlaczu ukazuje się wskazanie gotowości.

#### Informacja

Automatyczne wyłączenie nie może zostać całkowicie deaktywowane. Urządzenie wyłącza się najpóźniej po 8 godzinach bez obsługi.

## 7.3 Ustawianie trybu oszczędzania energii

Tryb oszczędzania energii powoduje obniżenie temperatury grzania.

Urządzenie przełącza się po wyznaczonym czasie automatycznie na tryb oszczędzania energii, gdy nie jest przez dłuższy czas obsługiwane. Na wyświetlaczu ukazuje się potem polecenie *Nacisnąć dowolny przycisk*. Natychmiast po wykonaniu tego polecenia tryb oszczędzania energii zostaje zakończony.

W menu *Tryb oszczędzania energii* ustawia się określony czas do chwili aktywowania trybu oszczędzania energii.

**Warunek:** Na wyświetlaczu ukazuje się wskazanie gotowości.

1. Nacisnąć przez ponad 2 sekundy przycisk "menu/ok".
    - » Na wyświetlaczu ukazuje się menu.
  2. Nawigować do menu *Tryb oszczędzania energii*.
  3. Używając przycisków strzałkowych wybrać okres czasu i potwierdzić za pomocą "menu/ok".
  4. Opuścić menu za pomocą polecenia *Exit*.
- » Na wyświetlaczu ukazuje się wskazanie gotowości.

#### Informacja

Tryb oszczędzania energii nie może zostać całkowicie deaktywowany. Urządzenie przełącza się na tryb oszczędzania energii najpóźniej po 4 godzinach od jego ostatniej obsługi.

## 7.4 Resetowanie urządzenia na ustawienia fabryczne

Urządzenie można zresetować na ustawienia fabryczne.

### Informacja

Jeżeli urządzenie zostaje zresetowane na ustawienia fabryczne, to wszystkie osobiste ustawienia zostają utracone.

**Warunek:** Na wyświetlaczu ukazuje się wskazanie gotowości.

1. Nacisnąć przez ponad 2 sekundy przycisk "menu/ok".
  - » Na wyświetlaczu ukazuje się menu.
2. Nawigować do menu *System > Ustawienia fabryczne*.
3. Używając przycisków strzałkowych wybrać *Resetowanie* i potwierdzić za pomocą "menu/ok".
  - » Na wyświetlaczu ukazuje się wskazanie gotowości.

## 7.5 Informacje o statusie urządzenia

Do informacji o statusie urządzenia dociera się przez menu *System > Statystyka*. W celu wyjścia z menu nacisnąć przycisk "menu/ok".

Poniższa tabela daje rozeznanie w znaczeniu informacji.

Informacja	Znaczenie
<i>Pobrania łącznie</i>	Liczba napojów, które zostały przyrządzone od uruchomienia.
<i>Kamień usunięty</i>	Liczba przeprowadzonych procesów odkamieniania.
<i>System kawy oczyszczony</i>	Liczba przeprowadzonych czyszczeń.
<i>System mleka oczyszczony</i>	Liczba przeprowadzonych czyszczeń.
<i>Filtr wymieniony</i>	Liczba przeprowadzonych wymian filtra.

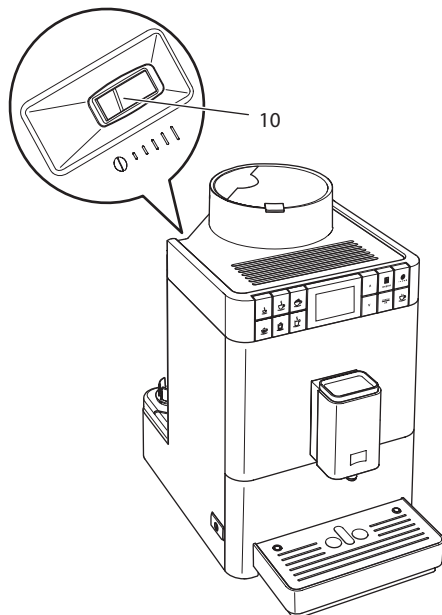
Słupki postępu pokazują pozostałe przyrządzenia napojów, aż urządzenie zasygnalizuje konieczność czyszczenia, usuwania kamienia lub wymiany filtra.

### Wersja oprogramowania

Informacje o zainstalowanej wersji oprogramowania otrzymuje się przez menu *System > Wersja SW*. W celu wyjścia z menu nacisnąć przycisk "menu/ok".

## 7.6 Ustawianie stopnia zmielenia

Stopień zmielenia kawy ma wpływ na jej smak. Stopień zmielenia został przed dostawą optymalnie ustawiony. Zalecana jest regulacja stopnia zmielenia kawy, najwcześniej po około 1000 jej pobrań (po około 1 roku).



Ilustr. 16: Dźwignia do ustawiania stopnia zmielenia

1. Wyjąć zbiornik na wodę.
  - » Na obudowie widoczna jest dźwignia "Przestawianie stopnia zmielenia" (10).
2. Dźwignię przestawić w lewo lub w prawo, tak jak pokazano na Ilustr. 16.
  - W lewo = stopień zmielenia drobniejszy
  - W prawo = stopień zmielenia grubszy
3. Ponownie założyć zbiornik na wodę.

### Informacja

- Gdy ustawi się stopień zmielenia bardziej drobny, to smak kawy będzie mocniejszy.
- Stopień zmielenia jest ustawiony optymalnie, jeżeli kawa wypływa z wylewu równomiernie i powstaje delikatna, gęsta kawa Crema.



## 8 Pielęgnacja i konserwacja

Dzięki regularnej pielęgnacji i konserwacji urządzenia, zapewniona jest niezmienna wysoka jakość otrzymywanej kawy.

### 8.1 Ogólne czyszczenie

Urządzenie należy czyścić regularnie. Zewnętrzne zanieczyszczenia powstałe od mleka i kawy należy natychmiast usuwać.

#### UWAGA

**Stosowanie nieodpowiednich środków czyszczących może prowadzić do porysowania powierzchni.**

- Nie używać żadnych szorujących ściereczek, gąbek i środków czystości.

**Warunek:** Urządzenie jest wyłączone.

- Urządzenie czyścić z zewnątrz za pomocą miękkiej, wilgotnej ściereczki i standardowego płynu do mycia naczyń.
- Wypłukać pojemnik na skropliny i pojemnik na fusy. W tym celu używać miękkiej, wilgotnej ściereczki i standardowego płynu do mycia naczyń.
- Pojemnik na ziarna czyścić miękką, suchą ściereczką.
- Pojemnik na fusy (7), podstawka na filiżanki (15) i pojemnik na mleko (bez pokrywy i rurki pionowej) nadają się do mycia w zmywarce.

### 8.2 Proces płukania

Poczas tego procesu płukane są dysze przy wylocie i wewnętrzne części ekspresu do kawy. Woda płucząca dostaje się też przez to z wnętrza do pojemnika na skropliny.

Przy włączaniu i wyłączeniu, urządzenie przeprowadza automatyczne płukanie.

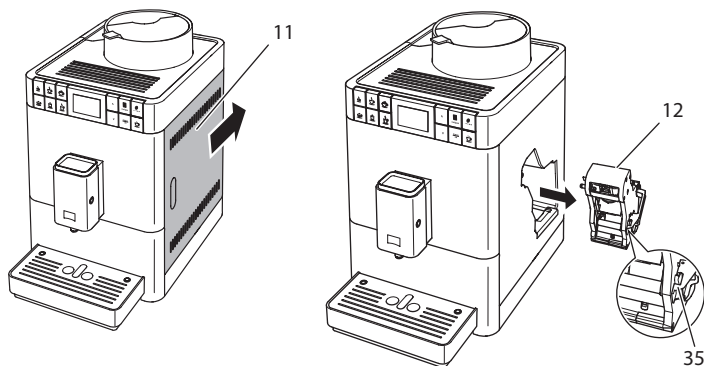
Płukanie można przeprowadzić też ręcznie:

**Warunek:** Na wyświetlaczu ukazuje się wskazanie gotowości.

1. Pod wylotem ustawić naczynie.
2. Naciśnąć przez ponad 2 sekundy przycisk "menu/ok".
  - » Na wyświetlaczu ukazuje się menu.
3. Nawigować do menu *Pielęgnacja > Płukanie*.
  - » Urządzenie przeprowadza automatyczne płukanie.
  - » Na wyświetlaczu ukazuje się wskazanie gotowości.

### 8.3 Wymontowanie i czyszczenie modułu parzenia

W celu uniknięcia uszkodzeń urządzenia, zaleca się czyszczenie modułu parzenia raz na tydzień.

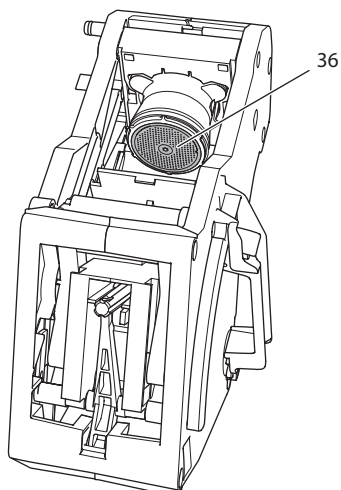


Ilustr. 17: Wymywanie modułu parzenia

**Warunek:** Urządzenie jest wyłączone.

1. Otworzyć osłonę (11). W tym celu sięgnąć do wgłębienia po prawej stronie urządzenia i przesunąć osłonę do tyłu. Zdjąć osłonę.
2. Wcisnąć i przytrzymać czerwoną dźwignię (35) za uchwyt modułu parzenia (12), i przekrócić uchwyt w kierunku wskazówek zegara, aż zaskoczy do oporu.

3. Moduł parzenia wyciągnąć za uchwyt z urządzenia.



Ilustr. 18: Czyszczenie modułu parzenia

4. Moduł parzenia i sito przepłukać w całości pod bieżącą wodą gruntownie ze wszystkich stron.
  - » Moduł parzenia i sito (36) są wolne od pozostałości kawy.
5. Moduł parzenia pozostawić do ocieknięcia.
6. Za pomocą miękkiej, suchej ściereczki usunąć resztki kawy z powierzchni w środku urządzenia.
7. Moduł parzenia wstawić do urządzenia. Wcisnąć i przytrzymać czerwoną dźwignię za uchwyt modułu parzenia, i przekreślić uchwyt odwrotnie do kierunku wskazówek zegara, aż zaskoczy do oporu.
8. Zamknąć osłonę. W tym celu włożyć osłonę i przesunąć ją do przodu, aż zaskoczy.

## 8.4 Stosowanie programu „Easy Cleaning”

Za pomocą programu „Easy Cleaning” płukany jest moduł mleka.

Po każdym przyrządzeniu kawy z mlekiem, urządzenie sygnalizuje konieczność przeprowadzenia programu Easy Cleaning.

Program Easy Cleaning można przeprowadzić też ręcznie.

**Warunek:** Na wyświetlaczu ukazuje się wskazanie gotowości.

1. Pod wylotem ustawić naczynie.
2. Nacisnąć przez ponad 2 sekundy przycisk "menu/ok".
  - » Na wyświetlaczu ukazuje się menu.

3. Nawigować do menu *Pielęgnacja > Easy Cleaning*.
  4. Używając przycisków strzałkowych wybrać *Start* i potwierdzić za pomocą "menu/ok".
  5. Do końca programu *Easy Cleaning* postępować zgodnie z dalszymi poleceniami na wyświetlaczu.
- » Na wyświetlaczu ukazuje się wskazanie gotowości.

## 8.5 Stosowanie programu „Czyszczenie systemu mleka“

Do czyszczenia systemu mleka potrzebny jest środek czyszczący do systemu mleka.

Dla zachowania higieny i uniknięcia uszkodzeń urządzenia, zalecamy przeprowadzenie programu czyszczenia raz w tygodniu.

Program czyszczenia trwa około 3 minut i nie powinien być przerywany.

### UWAGA

**Stosowanie nieodpowiednich oczyszczaczy do przewodów mlecznych oraz nieprzestrzeganie zaleceń dotyczących stosowania może prowadzić do uszkodzeń urządzenia.**

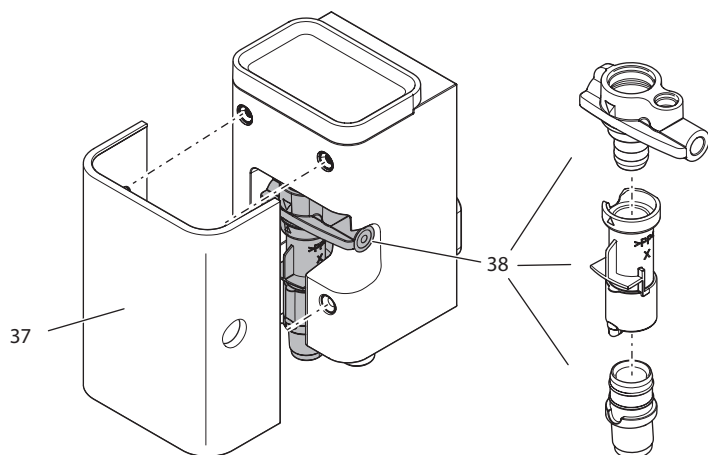
- Stosować wyłącznie środek czyszczący do systemu mleka Melitta® PERFECT CLEAN do automatycznego ekspresu do kawy.
- Przestrzegać wskazówek dotyczących stosowania podanych na opakowaniu środka czyszczącego do systemu mleka.

**Warunek:** Na wyświetlaczu ukazuje się wskazanie gotowości.

1. Pod wylotem ustawić pojemnik na fusy (7) lub naczynie o pojemności przynajmniej 0,7 litra.
  2. Nacisnąć przez ponad 2 sekundy przycisk "menu/ok".
    - » Na wyświetlaczu ukazuje się menu.
  3. Nawigować do menu *Pielęgnacja > Czyszczenie modułu mleka*.
  4. Używając przycisków strzałkowych wybrać *Start* i potwierdzić za pomocą "menu/ok".
  5. Do końca programu czyszczenia postępować zgodnie z dalszymi poleceniami na wyświetlaczu.
- » Na wyświetlaczu ukazuje się wskazanie gotowości.

## Czyszczenie modułu mleka

Dodatkowo zalecamy regularne czyszczenie modułu mleka, przewodu mleka i pojemnika na mleko (w zależności od modelu).



Ilustr. 19: Wymontowanie modułu mleka

W celu wymontowania modułu mleka należy postępować jak poniżej:

**Wymóg:** Przewód do mleka jest zdjęty z urządzenia.

1. Osłonę (37) zdjąć z wylotu do przodu.
2. Moduł mleka (38) wcisnąć w dół i zdjąć.
3. Moduł mleka rozłożyć na trzy części, jak pokazano powyżej.
4. Poszczególne części przepłukać ciepłą wodą. W tym celu używać załączonej szczoteczki do czyszczenia oraz miękkiej, wilgotnej ściereczki i standardowego płynu do mycia naczyń.

Montaż następuje odpowiednio w odwrotnej kolejności.

## 8.6 Stosowanie programu „Czyszczenie systemu kawy”

Używając programu "Czyszczenie systemu kawy" usuwane są pozostałości i resztki oleju z kawy za pomocą oczyszczacza do ekspresów do kawy.

Dla uniknięcia uszkodzeń urządzenia, zaleca się przeprowadzenie programu czyszczenia co 2 miesiące - lub gdy urządzenie zasignalizuje tego konieczność.

Program czyszczenia trwa około 10 minut i nie powinien być przerywany.

**⚠ OSTROŻNIE**

**Kontakt ze środkiem czyszczącym do automatycznych ekspresów do kawy może prowadzić do podrażnień oczu i skóry.**

- Należy przestrzegać wskazówek dotyczących dozowania, znajdujących się na opakowaniu środka czyszczącego do automatycznych ekspresów do kawy.

**UWAGA**

**Stosowanie nieodpowiednich środków czyszczących do automatycznych ekspresów do kawy może prowadzić do uszkodzeń urządzenia.**

- Stosować wyłącznie oczyszczacz w tabletkach Melitta® PERFECT CLEAN do automatycznego ekspresu do kawy.

**Warunek:** Na wyświetlaczu ukazuje się wskazanie gotowości.

1. Nacisnąć przez ponad 2 sekundy przycisk "menu/ok".
  - » Na wyświetlaczu ukazuje się menu.
2. Nawigować do menu *Pielęgnacja* > *Czyszczenie systemu kawy*.
3. Używając przycisków strzałkowych wybrać *Start* i potwierdzić za pomocą "menu/ok".
4. Do końca programu czyszczenia postępować zgodnie z dalszymi poleceniami na wyświetlaczu.
  - » Na wyświetlaczu ukazuje się wskazanie gotowości.

## 8.7 Stosowanie programu „Usuwanie kamienia“

Używając programu usuwania kamienia, usuwane są osady wapienne wewnątrz urządzenia za pomocą odkamieniacza do automatycznych ekspresów do kawy.

Dla uniknięcia uszkodzeń urządzenia zalecane jest przeprowadzenie programu usuwania kamienia co 3 miesiące - lub gdy urządzenie zasygnalizuje tego konieczność.

Program usuwania kamienia trwa około 25 minut i nie powinien być przerwany.

**⚠ OSTROŻNIE**

**Kontakt z odkamieniaczem do automatycznych ekspresów do kawy może prowadzić do podrażnień oczu i skóry.**

- Należy przestrzegać wskazówek dot. dozowania znajdujących się na opakowaniu odkamieniacza do automatycznych ekspresów do kawy.

**UWAGA**

**Stosowanie nieodpowiednich odkamieniaczy oraz nieprzestrzeganie zaleceń dotyczących stosowania może prowadzić do uszkodzeń urządzenia.**

- Stosować wyłącznie odkamieniacz w płynie Melitta® ANTI CALC do automatycznego ekspresu do kawy.
- Przestrzegać wskazówek dotyczących stosowania znajdujących się na opakowaniu odkamieniacza.

**UWAGA**

**Wkręcony filtr do wody może zostać uszkodzony w trakcie programu usuwania kamienia.**

- Wyjąć filtr do wody, gdy urządzenie zasygnalizuje tego konieczność.
- W trakcie programu usuwania kamienia, filtr do wody włożyć do naczynia z wodą wodociągową.
- Po zakończeniu programu usuwania kamienia można ponownie założyć filtr do wody i dalej go używać.

**Warunek:** Na wyświetlaczu ukazuje się wskazanie gotowości.

1. Nacisnąć przez ponad 2 sekundy przycisk "menu/ok".
  - » Na wyświetlaczu ukazuje się menu.
2. Nawigować do menu *Pielęgnacja > Usuwanie kamienia*.
3. Używając przycisków strzałkowych wybrać *Start* i potwierdzić za pomocą "menu/ok".
4. Do końca programu usuwania kamienia postępować zgodnie z dalszymi poleceniami na wyświetlaczu.
  - » Na wyświetlaczu ukazuje się wskazanie gotowości.

## 8.8 Ustawianie twardości wody

Za pomocą ustawienia twardości wody regulowane jest, jak często urządzenie zasygnalizuje konieczność usuwania z niego kamienia. Im woda jest twardsza, tym częściej w urządzeniu trzeba usuwać kamień.

**Informacja**

Jeżeli używa się filtra do wody, to nie można ustawić twardości wody. Twardość wody jest automatycznie ustawiona na 1 = *Miękka* (patrz rozdział 8.9 *Stosowanie filtra do wody* na stronie 525).

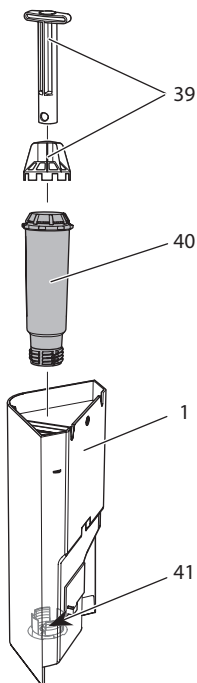
Twardość wody określić używając załączonego papierka wskaźnikowego. Proszę przestrzegać poleceń na opakowaniu papierka wskaźnikowego i tabeli *Zakres twardości wody* na stronie 530.

**Warunek:** Na wyświetlaczu ukazuje się wskazanie gotowości.

1. Nacisnąć przez ponad 2 sekundy przycisk "menu/ok".
  - » Na wyświetlaczu ukazuje się menu.
2. Używając przycisków strzałkowych nawigować do menu *Twardość wody*.
3. Używając przycisków strzałkowych wybrać zakres twardości wody i potwierdzić za pomocą "menu/ok".
4. Opuścić menu za pomocą polecenia *Exit*.
  - » Na wyświetlaczu ukazuje się wskazanie gotowości.

## 8.9 Stosowanie filtra do wody

Stosowanie filtra do wody wydłuża żywotność urządzenia i zapobiega osadzeniu się kamienia. Znajdujący się w zestawie filtr do wody odfiltruje z wody wapń i inne substancje szkodliwe.



*Ilustr. 20: Wkręcanie lub wykręcanie filtra do wody*

Filtr do wody (40) jest wkręcany lub wykręcany przy użyciu urządzenia pomocniczego (39) w gwint (41) znajdujący się na dnie zbiornika na wodę (1).



## Zakładanie filtra do wody

### Informacja

Przed założeniem filtra do wody, włożyć go na kilka minut do naczynia ze świeżą wodą wodociągową.

**Warunek:** Na wyświetlaczu ukazuje się wskazanie gotowości.

1. Nacisnąć przez ponad 2 sekundy przycisk "menu/ok".
    - » Na wyświetlaczu ukazuje się menu.
  2. *Nawigować do menu Pielęgnacja > Filtr > Zakładanie filtra.*
  3. Używając przycisków strzałkowych wybrać *Start* i potwierdzić za pomocą "menu/ok".
  4. Postępować według dalszych poleceń na wyświetlaczu.
    - » Twardość wody jest automatycznie ustawiona na *Miękka*.
- » Na wyświetlaczu ukazuje się wskazanie gotowości.

## Wymiana filtra do wody

Wymienić filtr do wody, gdy urządzenie zasygnalizuje tego konieczność.

**Warunek:** Na wyświetlaczu ukazuje się wskazanie gotowości.

1. Nacisnąć przez ponad 2 sekundy przycisk "menu/ok".
    - » Na wyświetlaczu ukazuje się menu.
  2. *Nawigować do menu Pielęgnacja > Filtr > Wymiana filtra.*
  3. Używając przycisków strzałkowych wybrać *Start* i potwierdzić za pomocą "menu/ok".
  4. Postępować według dalszych poleceń na wyświetlaczu.
- » Na wyświetlaczu ukazuje się wskazanie gotowości.

## Wymywanie filtra do wody

Filtr do wody nie powinien przez dłuższy czas pozostawać suchy. Przy dłuższym nieużywaniu zaleca się przechowywanie filtra do wody w naczyniu z wodą wodociągową w lodówce.

Filtr do wody wyjmować w następujący sposób:

**Warunek:** Na wyświetlaczu ukazuje się wskazanie gotowości.

1. Nacisnąć przez ponad 2 sekundy przycisk "menu/ok".
  - » Na wyświetlaczu ukazuje się menu.
2. *Nawigować do menu Pielęgnacja > Filtr > Wymywanie filtra.*
3. Używając przycisków strzałkowych wybrać *Start* i potwierdzić za pomocą "menu/ok".

4. Postępować według dalszych poleceń na wyświetlaczu.
  - » Twardość wody resetowana jest automatycznie do poprzedniego ustawienia.
  - » Na wyświetlaczu ukazuje się wskazanie gotowości.
5. Ewentualnie na nowo ustawić twardość wody, (patrz rozdział 8.8 *Ustawianie twardości wody* na stronie 524).

## 9 Awarie

Jeżeli wymienione poniżej działania nie usuną awarii lub wystąpią inne, tutaj niewymienione awarie, to należy skontaktować się z naszą infolinią (taryfa miejscowa).

Numer telefonu do serwisu znajduje się za boczną osłoną (11) lub na naszej stronie internetowej w zakładce Serwis.

Awaria	Przyczyna	Działanie
Kawa leci z wylotu tylko kroplami.	Zbyt drobny stopień zmielenia.	<ul style="list-style-type: none"> <li>▪ Stopień zmielenia ustawić na grubszy (patrz rozdział 7.6 na stronie 517).</li> </ul>
	Urządzenie zabrudzone.	<ul style="list-style-type: none"> <li>▪ Oczyszczyć moduł parzenia (patrz rozdział 8.3 na stronie 519).</li> <li>▪ Uruchomić program czyszczenia (patrz rozdział 8.6 na stronie 522).</li> </ul>
	Urządzenie pokryte kamieniem.	<ul style="list-style-type: none"> <li>▪ Urządzenie odkamienić (patrz rozdział 8.7 na stronie 523).</li> </ul>
Kawa nie leci.	Zbiornik na wodę nienapełniony lub niewłaściwie założony.	<ul style="list-style-type: none"> <li>▪ Napełnić zbiornik na wodę i zwrócić uwagę na prawidłowe osadzenie (patrz rozdział 4.5 na stronie 502).</li> </ul>
	Moduł parzenia zapchany.	<ul style="list-style-type: none"> <li>▪ Oczyszczyć moduł parzenia (patrz rozdział 8.3 na stronie 519).</li> </ul>
Wskazanie <i>Wsytać ziarna kawy</i> na wyświetlaczu, mimo że pojemnik na ziarna kawy jest napełniony.	Ziarna kawy nie wpadają do młynka.	<ul style="list-style-type: none"> <li>▪ Wcisnąć przycisk poboru.</li> <li>▪ Lekko popukać w pojemnik na ziarna kawy.</li> <li>▪ Oczyszczyć pojemnik na ziarna kawy.</li> <li>▪ Ziarna kawy zbyt oleiste. Użyć innych ziaren kawy.</li> </ul>
Głośny odgłos młynka.	Obce ciała w młynku.	<ul style="list-style-type: none"> <li>▪ Skontaktować się z Infolinią.</li> </ul>

Awaria	Przyczyna	Działanie
Moduł parzenia nie daje się założyć po jego wyjęciu.	Uchwyt do blokowania modułu parzenia nie jest we właściwym położeniu.	<ul style="list-style-type: none"> <li>▪ Sprawdzić, czy uchwyt blokady modułu parzenia prawidłowo zaskoczył (patrz rozdział 8.3 na stronie 519).</li> </ul>
	Napęd nie jest we właściwym położeniu.	<ul style="list-style-type: none"> <li>▪ nacisnąć i przytrzymać przycisk „Moc kawy”. Wcisnąć dodatkowo przycisk „Włącz/wyłącz”. Urządzenie przeprowadza inicjalizację. Przyciski ponownie puścić.</li> </ul>
Wskazanie <i>Błąd systemu</i> na wyświetlaczu.	Awaria oprogramowania.	<ul style="list-style-type: none"> <li>▪ Urządzenie wyłączyć i ponownie włączyć (patrz rozdział 4.1 na stronie 498).</li> <li>▪ Skontaktować się z Infolinią.</li> </ul>

## 10 Transport, składowanie i utylizacja

### 10.1 Odpowietrzenie urządzenia

Zaleca się odpowietrzenie urządzenia przy dłuższym nieużywaniu, przed transportem i przy niebezpieczeństwie wystąpienia przymrozków.

Przy odpowietrzeniu resztki wody zostają usunięte z urządzenia.

**Warunek:** Na wyświetlaczu ukazuje się wskazanie gotowości.

1. Pod wylotem ustawić naczynie.
2. Nacisnąć przez ponad 2 sekundy przycisk "menu/ok".
  - » Na wyświetlaczu ukazuje się menu.
3. Nawigować do menu *System* > *Odpowietrzenie*.
4. Używając przycisków strzałkowych wybrać *Start* i potwierdzić za pomocą "menu/ok".
5. Postępować według dalszych poleceń na wyświetlaczu.
  - » Urządzenie wyłącza się.

### 10.2 Transport urządzenia

#### UWAGA

**Zamarzające resztki wody mogą prowadzić do uszkodzenia urządzenia.**

- Unikać narażania urządzenia na temperatury poniżej 0 °C.

#### Informacja

Urządzenie transportować w oryginalnym opakowaniu. Unika się przez to uszkodzeń w transporcie.

Przed transportem urządzenia, przeprowadzić poniższe czynności:

1. Urządzenie odpowietrzyć (patrz rozdział 10.1 *Odpowietrzenie urządzenia* na stronie 528).
2. Opróżnić pojemnik na skropliny i pojemnik na fusy.
3. Opróżnić zbiornik na wodę.
4. Opróżnić pojemnik na ziarna kawy.
5. Urządzenie oczyścić (patrz rozdział 8.1 *Ogólne czyszczenie* na stronie 518).
6. Umocować luźne części (metalową podstawę na filizanki itd.) używając odpowiedniej taśmy klejącej.
7. Urządzenie opakować.

### 10.3 Utylizacja urządzenia



Oznaczone tym symbolem urządzenia podlegają Europejskiej Wytycznej 2002/96/EG dla WEEE (Waste Electrical and Electronic Equipment).

Urządzenia elektryczne nie powinny znaleźć się w domowych odpadkach.

- Urządzenie utylizować przyjaźnie dla środowiska przez odpowiednie systemy wywożenia.

## 11 Dane techniczne

Dane techniczne	
Napięcie robocze	220 V do 240 V, 50 Hz
Pobór mocy	maksymalnie 1450 W
Ciśnienie pompy	statycznie maksymalnie 15 bar
Wymiary	
Szerokość	253 mm
Wysokość	390 mm
Głębokość	380 mm
Pojemność użytkowa	
Pojemnik na ziarna kawy	125 g
Zbiornik na wodę	1,2 l
Ilość poboru kawy	25 ml do 220 ml
Masa (pusty)	8,3 kg
Warunki otoczenia	
Temperatura	10 °C do 32 °C
Względna wilgotność powietrza	30 % do 80 % (nieskrapająco)

Zakres twardości wody	°d	°e	°f
Miękka	0 do 10	0 do 13	0 do 18
Średnia	10 do 15	13 do 19	18 do 27
Twarda	15 do 20	19 do 25	27 do 36
Bardzo twarda	>20	>25	>36

Ustawienia fabryczne		
Espresso	Ilość kawy	40 ml
	Moc kawy	Mocna
	Temperatura parzenia	Normalna
Café Crème	Ilość kawy	120 ml
	Moc kawy	Mocna
	Temperatura parzenia	Normalna
Cappuccino	Ilość kawy	130 ml
	Moc kawy	Mocna
	Temperatura parzenia	Normalna
Latte Macchiato	Ilość kawy	190 ml
	Moc kawy	Mocna
	Temperatura parzenia	Normalna
Mleko	Ilość piany	180 ml
	Ilość mleka	180 ml
Gorąca woda	Ilość kawy	180 ml

## İçindekiler

<b>1</b>	<b>Güvenliğiniz için.....</b>	<b>533</b>
1.1	Amaca uygun kullanım .....	533
1.2	Elektrik akımı nedeniyle tehlike.....	534
1.3	Yanma ve haşlanma tehlikesi.....	534
1.4	Genel güvenlik bilgileri.....	535
<b>2</b>	<b>Cihazın tanıtımı .....</b>	<b>536</b>
2.1	Cihaza genel bakış.....	536
2.2	Kontrol paneline genel bakış.....	538
<b>3</b>	<b>İlk adımlar .....</b>	<b>539</b>
3.1	Cihazın ambalajından çıkarılması .....	539
3.2	Teslimat kapsamının kontrolü .....	539
3.3	Cihazın kurulumu.....	540
3.4	Cihazın bağlantılarının yapılması .....	540
3.5	Cihazın ilk kez çalıştırılması .....	540
<b>4</b>	<b>Genel kullanım bilgileri .....</b>	<b>542</b>
4.1	Cihazın çalıştırılması ve kapatılması.....	542
4.2	Kontrol panelinin kullanımı.....	543
4.3	Menüde gezinme .....	543
4.4	Çekirdek haznesine kahve çekirdeğinin doldurulması .....	545
4.5	Suyun doldurulması.....	546
4.6	Çıkışın ayarlanması .....	547
4.7	Süt kullanımı .....	548
4.8	Damlama haznesinin ve kahve posası kabının boşaltılması .....	550
<b>5</b>	<b>İçeceklerin hazırlanması .....</b>	<b>551</b>
5.1	Espresso ve Café Crème hazırlanışı.....	551
5.2	Cappuccino hazırlanması.....	552
5.3	Latte Macchiato hazırlanması.....	552
5.4	Süt köpüğünün veya sıcak sütün hazırlanması.....	553
5.5	Sıcak suyun hazırlanması .....	553
5.6	Tariflerle başka spesiyal içeceklerin hazırlanışı.....	553
5.7	Hazırlama sırasında ve öncesinde içecek ayarlarının değiştirilmesi .....	555
5.8	İçecek hazırlanmasının iptali.....	556
5.9	Aynı anda iki içecek hazırlanması.....	556
<b>6</b>	<b>İçecek ayarlarının kalıcı olarak değiştirilmesi.....</b>	<b>557</b>
6.1	Ön ayarların değiştirilmesi.....	557

<b>7</b>	<b>Temel ayarların değiştirilmesi .....</b>	<b>558</b>
7.1	Dil ayarı .....	558
7.2	Otomatik kapanmanın ayarlanması .....	558
7.3	Enerji tasarruf modunun ayarlanması .....	559
7.4	Cihazın fabrika ayarlarına döndürülmesi .....	559
7.5	Cihaz durumuna ilişkin bilgiler .....	560
7.6	Öğütme derecesinin ayarlanması .....	561
<b>8</b>	<b>Koruyucu bakım ve periyodik bakım .....</b>	<b>562</b>
8.1	Genel temizlik .....	562
8.2	Kahve sisteminin yıkanması .....	562
8.3	Pişirme ünitesinin çıkarılması ve temizlenmesi .....	563
8.4	"Easy Cleaning" programının kullanımı .....	564
8.5	"Süt sistemini temizle" programının kullanımı .....	565
8.6	"Kahve sistemini temizle" programının kullanımı .....	566
8.7	"Kireç çöz" programının kullanımı .....	567
8.8	Su sertliğinin ayarlanması .....	568
8.9	Su filtresinin kullanımı .....	569
<b>9</b>	<b>Arızalar .....</b>	<b>571</b>
<b>10</b>	<b>Nakliye, depolama ve imha .....</b>	<b>572</b>
10.1	Cihazın havasının alınması .....	572
10.2	Cihazın nakliyesi .....	572
10.3	Cihazın imha edilmesi .....	573
<b>11</b>	<b>Teknik veriler .....</b>	<b>573</b>

## Sevgili müşterimiz!

Melitta® Passione® OT kahve otomatını tercih ettiğiniz için teşekkür ederiz.

Bu kullanma kılavuzu, cihazın sunduğu zengin olanakları tanımanızı ve kahve tadının doruğuna ulaşmanızı sağlamak amacıyla hazırlanmıştır.

Kullanma kılavuzunu lütfen dikkatle okuyun. Böylece fiziksel ve maddi hasarları önlemiş olursunuz. Kullanma kılavuzunu lütfen itinayla saklayın. Cihazı başkalarına verdiğinizde bu kullanma kılavuzunu da beraberinde verin.

Kullanma kılavuzuna uyulmaması sonucunda oluşan hasarlarda Melitta firması herhangi bir sorumluluk üstlenmez.

Daha ayrıntılı bilgi edinmek istiyorsanız ya da cihazla ilgili sorularınız varsa lütfen Melitta firmasıyla irtibata geçin veya internet sitemizi ziyaret edin: [www.melitta.de](http://www.melitta.de)

Yeni kahve otomatınızı zevkle kullanmanız dileğiyle...

## 1 Güvenliğiniz için

**CE** Cihaz geçerli Avrupa Direktiflerine uygun olup son teknolojiye göre üretilmiştir. Buna rağmen geri kalan tehlikeler söz konusudur. Tehlikeleri önlemek için güvenlik bilgilerini dikkate almanız gerekir. Güvenlik bilgilerinin dikkate alınmaması sonucunda oluşan hasarlarda Melitta firması herhangi bir sorumluluk üstlenmez.

### 1.1 Amaca uygun kullanım

Cihaz kahve çekirdeğinden kahve spesiyaliteleri hazırlamak, süt ve su ısıtmak amacıyla tasarlanmıştır.

Cihaz sadece evlerde kullanıma mahsustur.

Bunun dışında her kullanım tasarım amacına aykırı kabul edilir ve fiziksel ve maddi hasarlara yol açabilir. Melitta firması, cihazın tasarım amacına uygun olmayan kullanımından doğan hasarlarda herhangi bir sorumluluk üstlenmez.



## 1.2 Elektrik akımı nedeniyle tehlike

Cihaz veya elektrik kablosunun hasarlı olması halinde elektrik çarpması nedeniyle hayati tehlike söz konusudur.

Elektrik akımından doğan tehlikeleri önlemek için aşağıdaki güvenlik bilgilerini dikkate alın:

- Hasarlı elektrik kablolarını kullanmayın.
- Hasarlı bir elektrik kablosu sadece üretici, üreticinin müşteri hizmetleri veya servis partnerleri tarafından değiştirilebilir.
- Cihaz gövdesine sıkı şekilde vidalanmış kapakları açmayın.
- Cihazı ancak teknik açıdan kusursuz olması halinde kullanın.
- Bozuk bir cihaz sadece yetkili servis tarafından onarılabilir. Cihazı kendiniz onarmayın.
- Cihazda, bileşenlerinde ve aksesuarlarda değişiklikler yapmayın.
- Cihazı suya batırmayın.
- Elektrik kablosunun suya temas etmesini önleyiniz.

## 1.3 Yanma ve haşlanma tehlikesi

Dışarı sızan sıvılar ve buharlar çok sıcak olabilir. Cihazın parçaları da çok ısınır.

Yanmayı ve haşlanmayı önlemek için aşağıdaki güvenlik bilgilerini dikkate alın:

- Dışarı sızan sıvı ve buharla cildinizin temas etmesinden kaçınin.
- İçecek alınırken veya alındıktan hemen sonra çıkıştaki nozullara dokunmayın. Parçaların tamamı soğuyana kadar bekleyin.

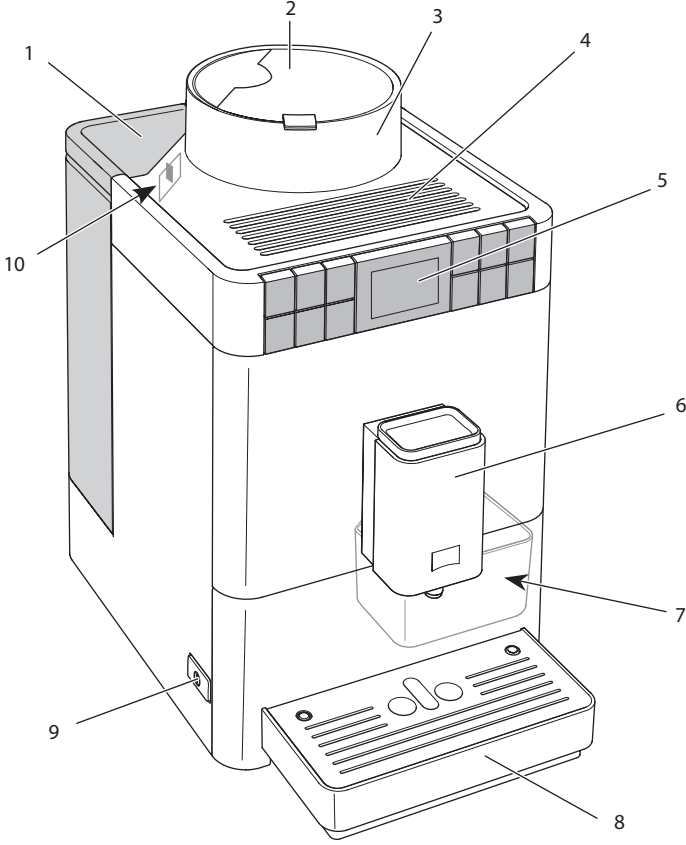
## 1.4 Genel güvenlik bilgileri

Fiziksel ve maddi hasarları önlemek için aşağıdaki güvenlik bilgilerini dikkate alın:

- Cihazı dolap veya benzeri bir şey içinde çalıştırmayınız.
- Çalışma sırasında cihazın iç kısmına elinizi sokmayın.
- Cihazı ve elektrik kablosunu 8 yaş altı çocuklardan uzak tutun.
- Bu cihaz, 8 yaş üzeri çocuklar ve fiziksel, algısal veya zihinsel yetenekleri zayıf olan, yeterli tecrübe ve bilgiye sahip olmayan kişiler tarafından ancak gözetim altında olmaları, cihazın güvenli kullanımı konusunda bilgilendirilmiş ve cihazdan kaynaklanan tehlikeleri anlamış olmaları halinde kullanılabilir.
- Çocukların cihazla oynamaları yasaktır. Temizleme ve periyodik bakım çalışmaları 8 yaşından küçük çocuklar tarafından yapılmamalıdır. 8 yaş üzeri çocuklar temizleme ve periyodik bakım çalışmaları sırasında gözetim altında olmalıdırlar.
- Uzun süre gözetimsiz kaldığında cihazın elektrik bağlantısını kesin.
- Cihaz 2000 m üzeri rakımlarda işletilemez.
- Cihazın ve parçalarının temizlenmesinde ilgili bölümdeki (*Koruyucu bakım ve periyodik bakım Sayfa 562*) uyarıları dikkate alınız.

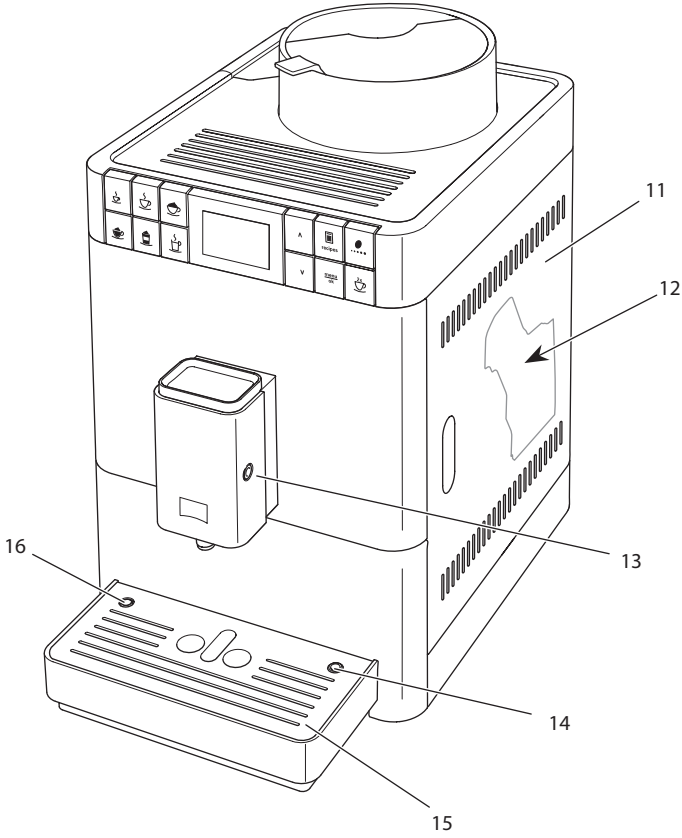
## 2 Cihazın tanıtımı

### 2.1 Cihaza genel bakış



Resim 1: Cihazın sol ön tarafı

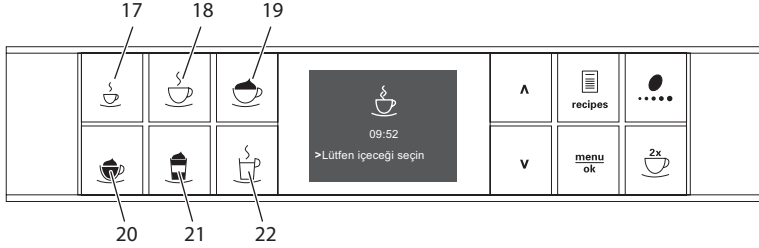
- |                              |  |
|------------------------------|--|
| 1 Kapaklı su haznesi         | 6 2 kahve nozulu, 1 süt nozulu, 1 sıcak su nozulu ve fincan aydınlatmasına sahip yükseklik ayarlı çıkış bölümü |
| 2 Çekirdek haznesinin kapağı | 7 Kahve posası kabı (iç kısımda)   |
| 3 Çekirdek haznesi           | 8 Damlatma haznesi   |
| 4 Fincan koyma yeri          | 9 "Açma/Kapama" düğmesi  |
| 5 Kontrol paneli             | 10 "Öğütme derecesi ayar" kolu (içte)  |



Resim 2: Cihazın sağ ön tarafı

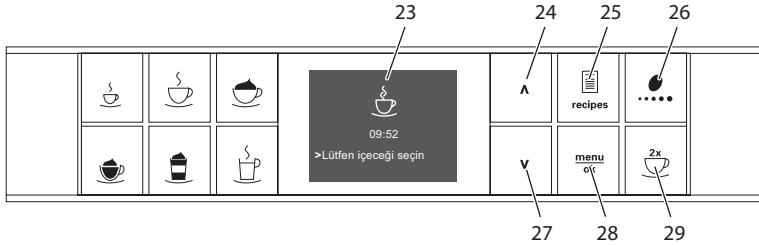
- |  |   |
|--|---|
| 11 Kapak                                     | 14 Damlama teknesine süt hortumu bağlantısı |
| 12 Pişirme ünitesi (içte)                    | 15 Fincan paneli                            |
| 13 Süt hortununun çıkış ünitesine bağlantısı | 16 Şamandıra                                |

## 2.2 Kontrol paneline genel bakış



Resim 3: Seçim tuşları

Poz.	Tanım	Fonksiyon
17	Espresso	Espresso hazırlanması
18	Café Crème	Café Crème hazırlanması
19	Cappuccino	Cappuccino hazırlanması
20	Süt köpüğü/ Sıcak süt	Süt köpüğünün ve sıcak sütün hazırlanması
21	Latte Macchiato	Latte Macchiato hazırlanması
22	Sıcak su	Sıcak suyun hazırlanması



Resim 4: Ekran ve kontrol tuşları

Poz.	Tanım	Fonksiyon
23	Ekran	Anlık menü ve mesajların gösterimi Örnek: Hazır göstergesi
24	Ok tuşu Yukarı	Menüde yukarıya doğru gezinme veya miktarı arttırma
25	Tarifler	Tariflerin seçimi ve hazırlanışı
26	Kahve sertliği	Kahve sertliğinin ayarlanması
27	Ok tuşu Aşağı	Menüde aşağıya doğru gezinme veya miktarı azaltma
28	menu/ok	Menüye ulaşım ve girdi onayı
29	İki fincan	İki fincan alımı

## 3 İlk adımlar

Bu bölümde cihazınızı kullanıma nasıl hazırlamanız gerektiği açıklanmıştır.

### 3.1 Cihazın ambalajından çıkarılması

Cihaz haricinde ambalajda örneğin yardımcı temizlik elemanları ve maddeleri gibi başka aksesuarlar da bulunmaktadır.

#### **⚠ Dikkat**

**Temizlik maddeleriyle temas edilmesi, gözlerde ve ciltte tahrişlere sebep olabilir.**

- Teslimat kapsamındaki temizlik maddelerini çocukların erişemeyecekleri yerlerde saklayın.
- Cihazı ambalajından çıkarın. Ambalaj malzemesini, yapışkan şeritleri ve koruyucu folyoları cihazdan alın.
- Ambalaj malzemesini nakliye ve üreticiye olası geri gönderiler için saklayın.

#### **i Bilgi**

Cihazda kahve ve su izleri olabilir. Cihazın kusursuz çalıştığı fabrikada kontrol edilmiştir.

### 3.2 Teslimat kapsamının kontrolü

Aşağıdaki liste yardımıyla teslimatın eksiksiz olduğunu kontrol edin. Parçaların eksik olması halinde satış noktanıza başvurun.

- Kısa hortumlu süt haznesi
- Uzun süt hortumu
- Temizleme fırçası
- Su sertliğinin tespiti için test şeritleri

### 3.3 Cihazın kurulumu

Aşağıdaki uyarıları lütfen dikkate alın:

- Cihazı nemli ortamlarda kurmayın.
- Cihazı sağlam, düz ve kuru bir yüzeyin üzerine yerleştirin.
- Cihazı evye veya benzerlerinin yakınlıkta kurmayın.
- Cihazı sıcak yüzeyler üzerine koymayın.
- Diğer cisimlerle veya duvarla arasında yaklaşık 10 cm'lik yeterli bir mesafe bırakın. Yukarıya doğru mesafe en az 20 cm olmalıdır.
- Elektrik kablosunu kenarlar veya sıcak yüzeyler üzerinden geçmeyecek şekilde döşeyin.

### 3.4 Cihazın bağlantılarının yapılması

Aşağıdaki uyarıları lütfen dikkate alın:

- Şebeke voltajının teknik verilerde belirtilen voltaja uygun olmasını sağlayın (bkz.Tablo *Teknik veriler* Sayfa 573).
- Cihazı sadece kurulumu usulüne uygun yapılmış, topraklamalı bir prize bağlayın. Tereddüt halinde uzman elektrikçi çağırın.
- Koruyucu kontaklı priz en az 10A sigorta ile korunuyor olmalıdır.

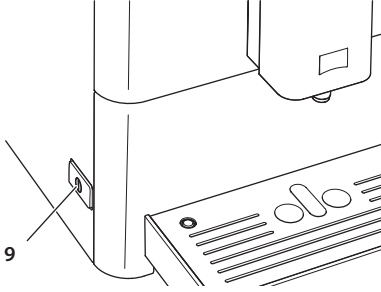
### 3.5 Cihazın ilk kez çalıştırılması

İlk kez işleme alma sırasında dili ve su sertliğini ayarlayabilirsiniz. Yapılan ayarları ileride değiştirebilirsiniz (bkz. Bölüm 7 *Temel ayarların değiştirilmesi* Sayfa 558 ve Bölüm 8.8 *Su sertliğinin ayarlanması* Sayfa 568).

Suyun sertliğini belirlemek için teslimat kapsamındaki test şeritlerini kullanın. Test şeritlerinin ambalajında ve *Su sertlik aralığı* Sayfa 573 tablosunda yer alan bilgileri dikkate alın.

#### **Bilgi**

- İlk kez işleme aldıktan sonra hazırlanan ilk iki fincan kahveyi içmemenizi öneririz.
- Su filtresi kullanmak istiyorsanız, filtreyi ilk işleme alma çalışmasından sonra takmanızda fayda vardır.



Resim 5: "Açma/Kapama" düğmesi

**Ön koşul:** Cihaz kurulmuş ve bağlantısı yapılmış olmalıdır.

1. Çıkışın altına bir fincan koyun.
2. "Açma/Kapama" düğmesine basın.
  - » Ekranda karşılama göstergesi belirir.
  - » Ekranda ilk ayarların yapılması talebi belirir: *Please Setup the machine.*
3. "menu/ok" ile onaylayın.
  - » *Dil* menüsü belirir.
4. Ok tuşlarıyla dilinizi seçin. "menu/ok" ile onaylayın.
  - » *Su sertliği* menüsü belirir.
5. Ok tuşlarıyla tespit edilen su sertliği aralığını ayarlayın veya ön ayarlı değeri "menu/ok" ile onaylayın.
  - » *Lütfen su haznesini doldurun ve takın* talebi belirir.
6. Su haznesini çıkarın. Su haznesini sade suyla çalkalayın. Su haznesine temiz su doldurun ve yerine takın.
  - » Cihaz ısınmaya başlar ve otomatik yıkama yapar.
  - » Ekranda hazır göstergesi belirir.
7. Çekirdek haznesine kahve çekirdeklerini doldurun. Bu konuya ilişkin 4.4 *Çekirdek haznesine kahve çekirdeğinin doldurulması* Sayfa 545 bölümünü okuyun.
  - » Gerekirse şimdi su filtresini takabilirsiniz (bkz. Bölüm 1.1 *Amaca uygun kullanım* Sayfa 533).



## 4 Genel kullanım bilgileri

Bu bölümde cihazın günlük kullanımına ilişkin temel adımlar tarif edilmiştir.

### 4.1 Cihazın çalıştırılması ve kapatılması

İlk kez işleme alma sırasında çalıştırmadan önce 3.5 *Cihazın ilk kez çalıştırılması* Sayfa 540 bölümünü okuyun.

#### Bilgi

- Açma ve kapama sırasında cihaz otomatik yıkama yapar.
- Yıkama sırasında yıkama suyu damlama haznesine de aktarılır.

### Cihazın çalıştırılması

1. Çıkışın altına bir fincan koyun.
2. "Açma/Kapama" düğmesine (9) basın.
  - » Ekranda karşılama göstergesi belirir.
  - » Cihaz ısınmaya başlar ve otomatik yıkama yapar.
- » Ekranda hazır göstergesi belirir.

#### Bilgi

Cihaz sadece kısa süre kapalı kaldıysa, çalıştırdıktan sonra otomatik yıkama yapılmaz.

### Cihazın kapatılması

1. Çıkışın altına bir fincan koyun.
2. "Açma/Kapama" düğmesine (9) basın.
  - » Cihaz otomatik yıkama yapar.
- » Cihaz kapanır.

#### Bilgi

- Cihaz, uzun süre kullanılmadığında kendiliğinden kapanır. Bu durumda da otomatik yıkama yapılır.
- Kapanma zamanını *Otom. kapat* menüsünde ayarlayabilirsiniz, bkz. Bölüm 7.2 *Otomatik kapanmanın ayarlanması* Sayfa 558.
- Çalıştırdıktan sonra içecek hazırlanmadıysa veya su haznesi boş ise, yıkama yapılmaz.

## 4.2 Kontrol panelinin kullanımı

Başlıca programlara kontrol panelinden ulaşılır.

İstediğiniz tuşa basın. Tuşların kullanımı için aşağıda belirtildiği gibi hareket edin:



### Kısa basın

Bir programı seçmek için kontrol tuşlarından birine kısa basın.



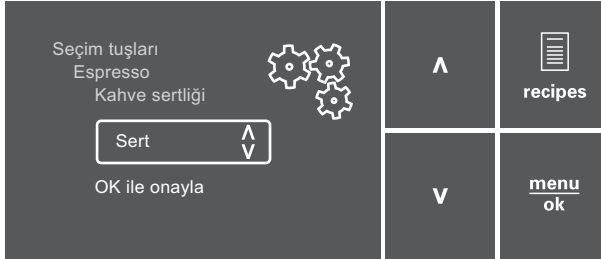
### Uzun basın

Olası mevcut ikinci programı seçmek için kontrol tuşlarından birine 2 saniyeden uzun basın.

## 4.3 Menüde gezinme

Kişisel içeceklerin ayarı ile periyodik ve koruyucu bakım çalışmaları için ekranda menüyü çağırmanız ve menüde gezinmeniz gerekir.

Ekrandaki uyarıları lütfen dikkate alın.



Resim 6: Ekran (örnek) ve gezinme için tuşları

Menüde gezinmek için aşağıda belirtilen olanakları kullanın:

### Menüye ulaşım ve seçim onayı



Menüye ulaşmak için "menu/ok" tuşuna 2 saniyeden uzun basın. Seçiminizi onaylamak için "menu/ok" tuşuna kısaca basın.

## Menüde gezinme veya sayısal değeri değiştirme

- ⏪ ⏩ Menüde yukarıya veya aşağıya doğru gezinmek için ok tuşlarına basın.
- Sayısal değeri yükseltmek veya düşürmek için ok tuşlarına basın. İstenilen pozisyona veya istenilen sayısal değere hızla ulaşmak için ok işareti tuşunu basılı tutun.

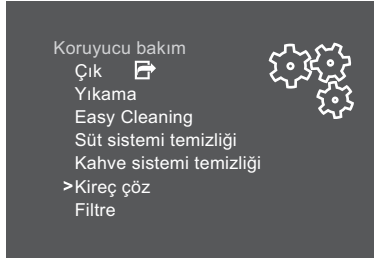
## Menüden çıkış

- Exit Ok tuşlarıyla *Çık* komutunu seçin ve menüden çıkmak için “menu/ok” ile onaylayın. Sadece bilgiler gösteren ve ayar yapmanız mümkün olmadığı alt menülerden “menu/ok” ile çıkın.

## Alt menülere ulaşım

Cihazın bazı programları için sırasıyla birkaç alt menüye ulaşmanız gerekir.

Alt menülere ulaşım daima aynıdır. Örnek olarak burada *Kireç çöz* programına ulaşım tarif edilmektedir.



Resim 7: Kireç çöz programına ulaşım

- “menu/ok” tuşuna 2 saniye boyunca basın.
  - » Menü ekranda belirir.
- Ok tuşlarıyla *Koruyucu bakım* seçimini yapın ve “menu/ok” ile onaylayın.
- Ok tuşlarıyla *Kireç çöz* seçimini yapın ve “menu/ok” ile onaylayın.

Bu kullanma kılavuzunda programların seçimi daima kısaltılarak gösterilir:

- *Koruyucu bakım* > *Kireç çöz* menüsüne gidin.

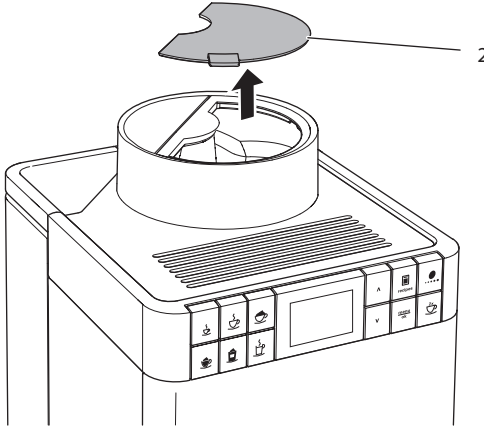
#### 4.4 Çekirdek haznesine kahve çekirdeğinin doldurulması

Kavrulmuş kahve çekirdekleri aromalarını zamanla kaybederler. Sadece 3–4 gün içinde tüketeyeğiniz miktarda kahve çekirdeğini çekirdek haznesine doldurun.

##### DİKKAT

**Uygun olmayan kahve türlerinin kullanılması öğütücüde yapışmalara sebep olabilir.**

- Derin dondurulmuş veya karamelize kahve çekirdekleri kullanmayın.
- Kahve tozu veya hazır (instant) ürünler kullanmayın.



Resim 8: Çekirdek haznesinin kapağını açın

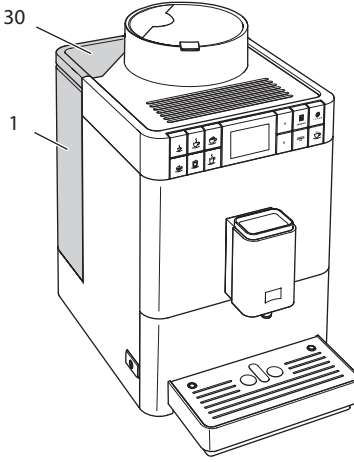
1. Çekirdek haznesinin kapağını (2) açın.
2. Çekirdek haznesine kahve çekirdeklerini doldurun.
3. Çekirdek haznesinin kapağını kapatın.

## 4.5 Suyun doldurulması

Mükemmel kahve lezzeti için sadece gazsız, temiz ve soğuk su kullanın. Suyu her gün değiştirin.

### **Bilgi**

Suyun kalitesi kahvenin tadını büyük ölçüde belirler. Bu nedenle su filtresi (bkz. Bölüm 8.8 *Su sertliğinin ayarlanması* Sayfa 568 ve Bölüm 8.9 *Su filtresinin kullanımı* Sayfa 569) kullanın.

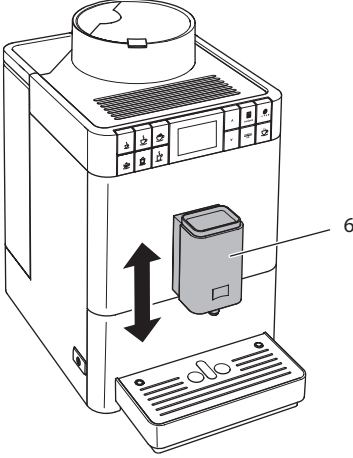


*Resim 9: Su haznesi*

1. Su haznesinin kapağını (30) açın, su haznesini (1) kulpundan yukarıya doğru çekerek cihazdan çıkarın.
2. Su haznesine su doldurun.
3. Su haznesini yukarıdan cihaza yerleştirin ve kapağını kapatın.

## 4.6 Çıkışın ayarlanması

Çıkış ünitesi (6) yükseklik ayarlıdır. Çıkış ile fincan arasındaki mesafenin mümkün olduğunca küçük olmasına dikkat edin. Fincanın büyüklüğüne göre çıkış ünitesini yukarıya veya aşağıya kaydırın.

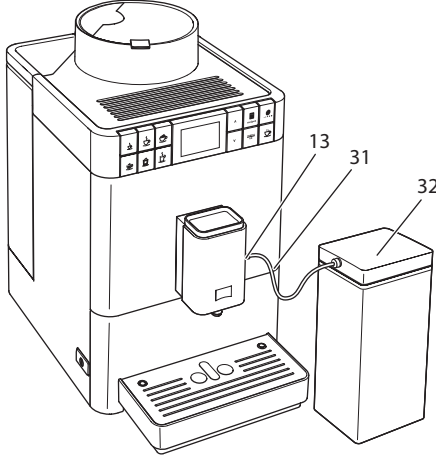


Resim 10: Çıkışın ayarlanması

## 4.7 Süt kullanımı

Mükemmel kahve lezzeti için sadece soğutulmuş süt kullanın. Cihazın modeline göre teslimat kapsamına dahil olan uzun süt hortumunu ya da teslimat kapsamına dahil olan süt haznesini kullanın.

### Süt haznesinin bağlantısı



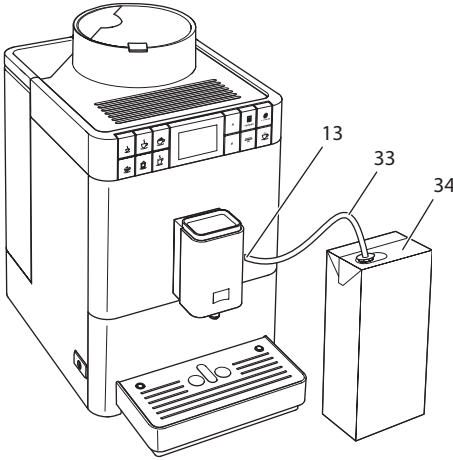
Resim 11: Bağlantısı yapılmış süt haznesi

1. Süt hortumunu (31) çıkış ünitesindeki bağlantıya (13) bağlayın.
2. Süt hortumunun diğer ucunu süt haznesine (32) bağlayın.

#### Bilgi

Dolu süt haznesini buzdolabında saklayın.

## Süt kutusunun bağlantısı



Resim 12: Bağlantısı yapılmış piyasada yaygın süt kutusu

1. Uzun süt hortumunu (33) çıkış ünitesindeki bağlantıya (13) bağlayın.
2. Süt hortumunun diğer ucunu piyasada yaygın süt kutusuna (34) takın.

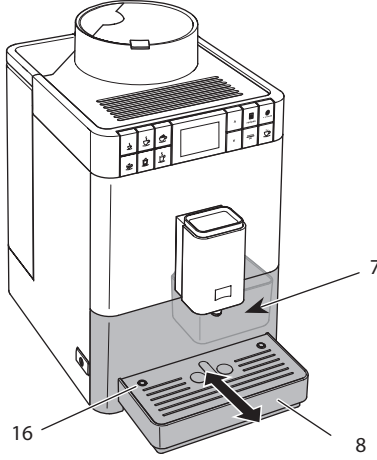


## 4.8 Damlama haznesinin ve kahve posası kabının boşaltılması

Birden fazla içecek alındıktan sonra damlama haznesi (8) ve kahve posası kabı (7) dolu olabilir. Yukarı çıkan şamandıra (16) damlama teknesinin günlük doluluk seviyesini gösterir.

Cihaz belirli sayıda içecek alındıktan sonra damlama haznesinin ve kahve posası kabının dolu olduğunu da gösterir.

Damlama teknesini ve kahve posası kabını daima boşaltın.



Resim 13: Damlama haznesinin ve kahve posası kabının boşaltılması

1. Damlama haznesini (8) öne doğru çekerek cihazdan çıkarın.
2. Kahve posası kabını (7) çıkarın ve boşaltın.
3. Damlama haznesini boşaltın.
4. Kahve posası kabını yerine takın.
5. Damlama haznesini yerine oturana kadar cihazın içine sürün.

### Bilgi

Cihaz kapalıyken damlama teknesini ve kahve posası kabını boşaltırsanız, cihaz bu işlemi algılayamaz. Bu nedenle, damlama teknesi ve kahve posası kabı henüz dolmamış olsa da, cihaz sizden boşaltma yapmanızı isteyebilir.

## 5 İçeceklerin hazırlanması

İçeceklerin hazırlanmasının iki yolu vardır:

- Aşağıda belirtildiği gibi standart içecek hazırlama
- Bir tarifin seçimi ve hazırlanışı (bkz. Bölüm 5.6 *Tariflerle başka spesiyal içeceklerin hazırlanışı Sayfa 553*)

### **i** Bilgi

Standart içecek alımı veya bir tarif için ön ayarlar kalıcı olarak değiştirilebilir (bkz. Bölüm 6.1 *Ön ayarların değiştirilmesi Sayfa 557*).

Dikkatinize:

- Su haznesinde daima yeterli miktarda su olmalıdır. Doluluk seviyesi düşük ise cihaz sizden doldurmanızı isteyecektir.
- Çekirdek haznesinde de daima yeterli miktarda kahve çekirdekleri bulunmalıdır. Kahve çekirdeği kalmadığında içeceğin hazırlanışı cihaz tarafından iptal edilir.
- Cihaz süt eksikliğini göstermez.
- İçecekler için fincanlar yeterli büyüklükte olmalıdır (bkz. Tablo *Fabrika ayarları Sayfa 574*).

### 5.1 Espresso ve Café Crème hazırlanışı



**Ön koşul:** Ekranda hazır göstergesi belirmelidir.



1. Çıkışı altına bir fincan koyun.
2. "Espresso" veya "Café Crème" seçim tuşuna basın.
  - » Öğütme işlemi ve içecek çıkışı başlar.
  - » İçecek çıkışı otomatik olarak sonlandırılır.
3. Fincanı alın.
  - » Ekranda hazır göstergesi belirir.

## 5.2 Cappuccino hazırlanması



**Ön koşullar:** Ekranda hazır göstergesi belirmeli ve süt bağlantısı yapılmış olmalıdır.

1. Çıkışın altına bir fincan koyun.
  2. "Cappuccino" seçim tuşuna basın.
    - » Öğütme işlemi ve kahve çıkışı başlar.
    - » Kahve çıkışı otomatik olarak sonlandırılır.
    - » Süt çıkışı başlar.
    - » İçecek çıkışı otomatik olarak sonlandırılır.
  3. Fincanı alın.
    - » Ekranda *Easy Cleaning? (OK ile başlat) belirir.*
  4. Easy Cleaning programını işletebilir veya başka içecekler hazırlayabilirsiniz.
    - a) "Easy Cleaning" programını işletin. Ekranda verilen talimatlara uyun. Bu konuda bilgi için bkz. Bölüm 8.4 "Easy Cleaning" programının kullanımı Sayfa 564.
    - b) Diğer içecekleri hazırlayın ve Easy Cleaning programını daha sonra işletin.
- » Ekranda hazır göstergesi belirir.

## 5.3 Latte Macchiato hazırlanması



**Ön koşullar:** Ekranda hazır göstergesi belirmeli ve süt bağlantısı yapılmış olmalıdır.

1. Çıkışın altına bir fincan koyun.
  2. "Latte Macchiato" seçim tuşuna basın.
    - » Süt çıkışı başlar.
    - » Süt çıkışı otomatik olarak sonlandırılır.
    - » Öğütme işlemi ve kahve çıkışı başlar.
    - » İçecek çıkışı otomatik olarak sonlandırılır.
  3. Fincanı alın.
    - » Ekranda *Easy Cleaning? (OK ile başlat) belirir.*
  4. Easy Cleaning programını işletebilir veya başka içecekler hazırlayabilirsiniz.
    - a) "Easy Cleaning" programını işletin. Ekranda verilen talimatlara uyun. Bu konuda bilgi için bkz. Bölüm 8.4 "Easy Cleaning" programının kullanımı Sayfa 564.
    - b) Diğer içecekleri hazırlayın ve Easy Cleaning programını daha sonra işletin.
- » Ekranda hazır göstergesi belirir.

## 5.4 Süt köpüğünün veya sıcak sütün hazırlanması



Süt köpüğünün ve sıcak sütün hazırlanması birbirine benzemektedir.

**Ön koşullar:** Ekranda hazır göstergesi belirmeli ve süt bağlantısı yapılmış olmalıdır.

1. Çıkışın altına bir fincan koyun.
2. "Süt köpüğü/Sıcak süt" seçim tuşuna basın.
  - a) Süt köpüğü = Tuşa kısa basın
  - b) Sıcak süt = Tuşa uzun basın (2 saniye)
    - » Süt çıkışı başlar.
    - » İçecek çıkışı otomatik olarak sonlandırılır.
3. Fincanı alın.
  - » Ekranda *Easy Cleaning?* (OK ile başlat) belirir.
4. Easy Cleaning programını işletebilir veya başka içecekler hazırlayabilirsiniz.
  - a) "Easy Cleaning" programını işletin. Ekranda verilen talimatlara uyun. Bu konuda bilgi için bkz. Bölüm 8.4 "Easy Cleaning" programının kullanımını Sayfa 564.
  - b) Diğer içecekleri hazırlayın ve Easy Cleaning programını daha sonra işletin.
    - » Ekranda hazır göstergesi belirir.

## 5.5 Sıcak suyun hazırlanması



**Ön koşul:** Ekranda hazır göstergesi belirmelidir.

1. Çıkışın altına bir fincan koyun.
2. "Sıcak su" seçim tuşuna basın.
  - » Sıcak su çıkışı başlar.
  - » İçecek çıkışı otomatik olarak sonlandırılır.
3. Fincanı alın.
  - » Ekranda hazır göstergesi belirir.

## 5.6 Tariflerle başka spesiyal içeceklerin hazırlanışı



Standart içecek alımının yanı sıra *Tarifler* menüsünde başka kahve spesiyalite-leri seçebilirsiniz. Aşağıda belirtilen kahve spesiyalite-lerini seçebilirsiniz:

Sütsüz kahve spesiyalite-leri:

- Ristretto
- Lungo
- Americano

Sütlü kahve spesiyaliteleri:

- Espresso Macchiato
- Caffè Latte
- Café au Lait

### Ristretto, Lungo veya Americano hazırlanışı

Ristretto, Lungo ve Americano spesiyalitelerinin hazırlanışı birbirine benzer. Burada örnek olarak Ristretto hazırlanışı tarif edilmiştir.

**Ön koşul:** Ekranda hazır göstergesi belirmelidir.

1. Çıkışın altına bir fincan koyun.
  2. "Tarifler" kontrol tuşuna basın.
    - » Tarifler *menüsü ekranda belirir.*
  3. Ok tuşlarıyla *Ristretto* seçimini yapın.
  4. Seçiminizi "menu/ok" ile onaylayın.
    - » Öğütme işlemi ve içecek çıkışı başlar.
    - » İçecek çıkışı otomatik olarak sonlandırılır.
  5. Fincanı alın.
- » Ekranda hazır göstergesi belirir.

### Espresso Macchiato, Caffè Latte veya Café au Lait hazırlanışı

Espresso Macchiato, Caffè Latte ve Café au Lait spesiyalitelerinin hazırlanışı birbirine benzer. Burada örnek olarak Espresso Macchiato hazırlanışı tarif edilmiştir.

**Ön koşullar:** Ekranda hazır göstergesi belirmeli ve süt bağlantısı yapılmış olmalıdır.

1. Çıkışın altına bir fincan koyun.
2. "Tarifler" kontrol tuşuna basın.
  - » Tarifler *menüsü ekranda belirir.*
3. Ok tuşlarıyla *Espresso Macchiato* seçimini yapın.
4. Seçiminizi "menu/ok" ile onaylayın.
  - » Öğütme işlemi ve kahve çıkışı başlar.
  - » Kahve çıkışı otomatik olarak sonlandırılır.
  - » Süt çıkışı başlar.
  - » İçecek çıkışı otomatik olarak sonlandırılır.
5. Fincanı alın.
  - » Ekranda *Easy Cleaning? (OK ile başlat)* belirir.

6. Easy Cleaning programını işletebilir veya başka içecekler hazırlayabilirsiniz.
    - a) "Easy Cleaning" programını işletin. Ekranda verilen talimatlara uyun. Bu konuda bilgi için bkz. Bölüm 8.4 "Easy Cleaning" programının kullanımını Sayfa 564.
    - b) Diğer içecekleri hazırlayın ve Easy Cleaning programını daha sonra işletin.
- » Ekranda hazır göstergesi belirir.

## 5.7 Hazırlama sırasında ve öncesinde içecek ayarlarının değiştirilmesi

İçecek hazırlama sırasında ve öncesinde içecek ayarlarını değiştirebilirsiniz.

### Bilgi

Aşağıda belirtilen ayarlar sadece anlık hazırlanan içecek için geçerlidir.

### Hazırlama öncesinde içecek ayarlarının değiştirilmesi

Toplam içecek miktarını ve kahve sertliğini içecek seçiminden önce değiştirebilirsiniz.



- İçecek seçiminden önce içecek miktarını ok tuşlarıyla ayarlayın.
- İçecek seçiminden önce "Kahve sertliği" kontrol tuşuyla kahvenin sertliğini ayarlayın.

### Bilgi

- Karışık içecekler hazırlanırken toplam içecek miktarı önceden belirlenmiş oranda paylaşılır. Bu, sütlü veya sıcak sulu kahveden oluşan karışık içecekler için geçerlidir.
- 1 dakika içerisinde içecek hazırlamazsanız, cihaz standart ayarlara geçer.

## Hazırlama sırasında içecek ayarlarının değiştirilmesi

İçecek hazırlama sırasında içecek miktarını ve kahve sertliğini değiştirebilirsiniz.



- İçecek çıkışı sırasında ok tuşlarıyla içecek miktarını ayarlayın.
- Öğütme işlemi sırasında "Kahve sertliği" kontrol tuşuyla kahvenin sertliğini ayarlayın.

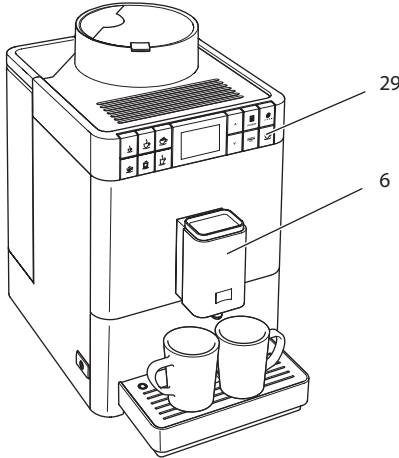
## 5.8 İçecek hazırlanmasının iptali

İçecek hazırlanışını iptal etmek istiyorsanız, herhangi bir seçim tuşuna basın.

## 5.9 Aynı anda iki içecek hazırlanması



"İki fincan" kontrol tuşuyla aynı anda iki içecek hazırlayabilirsiniz. Çift fincan alımı sadece örneğin Espresso, Café Crème, Ristretto gibi sade kahve alımında mümkündür. Sıcak su, sıcak süt ve tüm karışık içeceklerde çift fincan alımı mümkün değildir.



Resim 14: İki fincan alımı

1. Çıkışın (6) altına iki fincan koyun.
2. "İki fincan" kontrol tuşuna (29) basın.
3. Söz konusu içeceğin hazırlanışında tarif edildiği gibi hareket edin.

**Bilgi**

- Ayar sadece tek bir içecek hazırlanışı için geçerlidir.
- 1 dakika içerisinde içecek hazırlamazsanız, cihaz tek fincanlık alıma geçer.

## 6 İçecek ayarlarının kalıcı olarak değiştirilmesi

Cihaz, kahve spesiyaliteleri hazırlamanız için başka olanaklar da sunmaktadır. Örneğin ön ayarlı tarifler kullanabilir veya içecek ayarlarını kalıcı olarak değiştirebilirsiniz.

### 6.1 Ön ayarların değiştirilmesi

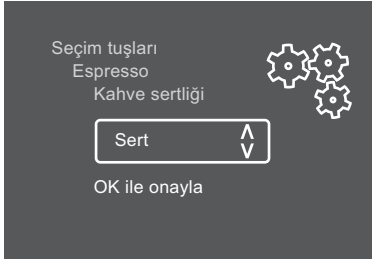
İçeceğe bağlı olarak aşağıdaki ön ayarları değiştirebilirsiniz:

- **Kahve miktarı:** 25 ml ile 220 ml arası
- **Süt miktarı veya süt köpüğü miktarı:** 25 ml ile 220 ml arası
- **Sıcak su miktarı:** 25 ml ile 220 ml arası
- **Kahve sertliği:** Çok hafif, hafif, normal, sert, çok sert
- **Sıcaklık:** Düşük, normal, yüksek.

**Bilgi**

Değiştirilen ön ayarlar tekrar değiştirilene kadar geçerli kalır.

İçecek ayarlarının değiştirilmesi içeceklerin hepsinde aynıdır. Burada örnek olarak Espresso için kahve sertliğinin değiştirilmesi tarif edilecektir.



Resim 15: Kahve sertliğinin ayarlanması



**Ön kořul:** Ekranda hazır göstergesi belirmelidir.

1. “menu/ok” kontrol tuřuna 2 saniyeden uzun basın.
    - » Menü ekranda belirir.
  2. Seçim tuřları > *Espresso* > *Kahve sertlięi* menüsüne gidin.
  3. Ok tuřlarıyla istedięiniz kahve sertlięini seçin ve “menu/ok” ile onaylayın.
  4. Menüden çıkmak için tekrar *Çık* komutunu seçin.
    - » Ekranda hazır göstergesi belirir.
- » Bundan böyle Espresso hazırlanırken yeni seçilen kahve sertlięi kullanılacaktır.

## 7 Temel ayarların deęiřtirilmesi

Bu bölümde, cihazın temel ayarlarını deęiřtirmeye yarayan kumanda adımları tarif edilecektir.

### 7.1 Dil ayarı

Ekran metinlerinin dilini ayarlayabilirsiniz.

**Ön kořul:** Ekranda hazır göstergesi belirmelidir.

1. “menu/ok” kontrol tuřuna 2 saniyeden uzun basın.
  - » Menü ekranda belirir.
2. Dil menüsüne gidin.
3. Ok tuřlarıyla dil seçimini yapın ve “menu/ok” ile onaylayın.
4. Çık komutuyla menüyü terk edin.
  - » Ekranda hazır göstergesi belirir.

### 7.2 Otomatik kapanmanın ayarlanması

Cihazı uzun süre kullanmazsanız, cihaz belirlenen süre sonunda otomatik olarak kapanır. Bu süreyi *Otom. kapat* menüsünde ayarlayabilirsiniz.

#### Otomatik kapanma için süre ayarı

**Ön kořul:** Ekranda hazır göstergesi belirmelidir.

1. “menu/ok” kontrol tuřuna 2 saniyeden uzun basın.
  - » Menü ekranda belirir.
2. *Otom. kapat* menüsüne gidin.
3. Ok tuřlarıyla bir süre seçin ve “menu/ok” ile onaylayın.
4. Çık komutuyla menüyü terk edin.
  - » Ekranda hazır göstergesi belirir.

**Bilgi**

Otomatik kapatma komple deaktive edilemez. Kumanda gerekleřmedięinde cihaz en ge 8 saat sonra kapanır.

### 7.3 Enerji tasarruf modunun ayarlanması

Enerji tasarruf modu ısıtma sıcaklıęını dűřürür.

Cihazı uzun süre kullanmazsanız, cihaz belirlenen süre sonunda otomatik olarak enerji tasarruf moduna geer. Ardından ekranda *Herhangi bir tuřa basın* talebi belirir. Bunu yaptığınızda enerji tasarruf modu sonlandırılır.

*Enerji tasarruf modu* menüsünde enerji tasarruf modunun aktive edileceęi süre ayarlanır.

**Ön kořul:** Ekranda hazır göstergesi belirmelidir.

1. "menu/ok" tuřuna 2 saniyeden uzun basın.
  - » Menü ekranda belirir.
2. Enerji tasarruf modu menüsüne gidin.
3. Ok tuřlarıyla süre seimini yapın ve "menu/ok" ile onaylayın.
4. ık komutuyla menüyü terk edin.

» Ekranda hazır göstergesi belirir.

**Bilgi**

Enerji tasarruf modu komple deaktive edilemez. Kumanda gerekleřmedięinde cihaz en ge 4 saat sonra enerji tasarruf moduna geer.

### 7.4 Cihazın fabrika ayarlarına döndürülmesi

Cihazın fabrika ayarlarına döndürülmesini sağlayabilirsiniz.

**Bilgi**

Cihazı fabrika ayarlarına getirdiğinizde tüm kiřisel ayarlar silinir.

**Ön kořul:** Ekranda hazır göstergesi belirmelidir.

1. "menu/ok" tuřuna 2 saniyeden uzun basın.
    - » Menü ekranda belirir.
  2. Sistem > Fabrika ayarları menüsüne gidin.
  3. Ok tuřlarıyla *Sıfırla* seimini yapın ve "menu/ok" ile onaylayın.
- » Ekranda hazır göstergesi belirir.

## 7.5 Cihaz durumuna iliřkin bilgiler

Cihaz durumuna iliřkin bilgilere *Sistem > İstatistik* menüsünden ulařabilirsiniz. Menülerden çıkmak için "menu/ok" tuřuna basın.

Ařaęıdaki tablo bilgilerin anlamı hakkında genel bakıř sunmaktadır.

Bilgi	Anlamı
<i>İçecekler</i>	İřletime alındıktan sonra hazırlanan içeceklerin toplam sayısı.
<i>Kireç çözüldü</i>	Yapılan kireç çözme iřlemlerinin sayısı.
<i>Kahve sistemi temizlendi</i>	Yapılan temizlemelerin sayısı.
<i>Süt sistemi temizlendi</i>	Yapılan temizlemelerin sayısı.
<i>Filtre deęiřtirildi</i>	Gerçekleřen filtre deęiřim sayısı.

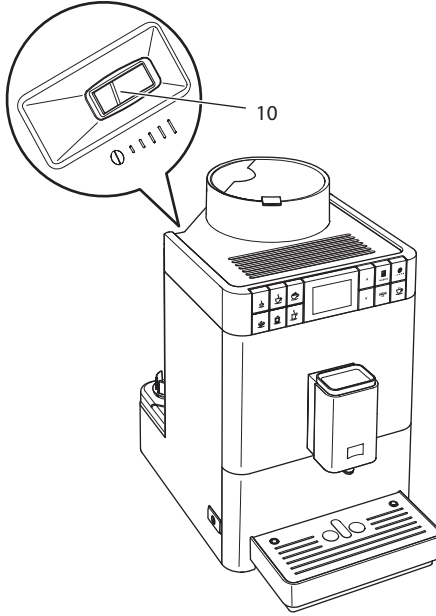
İlerleme çubukları, cihaz temizlik, kireç çözme veya filtre deęiřimi talep edene kadar kalan içecek sayısını gösterir.

### Yazılım sürümü

Kurulu olan yazılım sürümü hakkında bilgiyi *Sistem > Yazılım sürümü* menüsü üzerinden edinebilirsiniz. Menülerden çıkmak için "menu/ok" tuřuna basın.

## 7.6 Öęütme derecesinin ayarlanması

Kahve tozunun öęütölme derecesi kahvenin tadını etkiler. Öęütme derecesi teslimat öncesinde en uygun ayara getirilmiřtir. Öęütme derecesini en erken yaklařık 1000 adet kahve alımından sonra (yaklařık 1 yıl sonra) ayarlamanızı öneririz.



Resim 16: Öęütme derecesi ayar kolu

1. Su haznesini çıkarın.
  - » Gövdede "Öęütme derecesi ayar" kolu (10) görülür.
2. Resim 16'de görüldüęü gibi kolu sola veya saęa doęru ayarlayın.
  - Sola = Öęütme derecesi ince
  - Saęa = Öęütme derecesi kaba
3. Su haznesini yerine takın.

### Bilgi

- Öęütme derecesini daha ince ayarlarsanız, kahvenin tadı daha yoęun olur.
- Kahve düzenli řekilde çıkıř ünitesinden akıyorsa ve ince, yoęun bir krema oluřuyorsa, öęütme derecesi doęru ayarlanmıřtır.

## 8 Koruyucu bakım ve periyodik bakım

Düzenli koruyucu ve periyodik bakım sayesinde içeceklerinizin kalitesinin yüksek kalmasını sağlarsınız.

### 8.1 Genel temizlik

Cihazı düzenli aralıklarla temizleyin. Süt ve kahveden oluşan dış kirlenmeleri derhal giderin.

#### DİKKAT

**Uygun olmayan temizlik maddelerinin kullanılması yüzeylerin çizilmesine yol açabilir.**

- Aşındırıcı bezler, süngerler ve temizlik maddeleri kullanmayın.

**Ön koşul:** Cihaz kapalı olmalıdır.

- Cihazın dış yüzeyini yumuşak, nemli bir bez ve sıradan bulaşık deterjanıyla temizleyin.
- Damlama teknesini ve kahve posası kabını yıkayın. Bunun için yumuşak ve nemli bir bez ve sıradan bulaşık deterjanı kullanın.
- Çekirdek haznesini yumuşak, kuru bir bezle temizleyin.
- Kahve posası kabı (7), fincan paneli (15) ve süt haznesi (kapak, süt hortumu ve boru hariç) bulaşık makinesinde yıkanabilir.

### 8.2 Kahve sisteminin yıkanması

Yıkama sırasında çıkıştaki nozullar ve kahve sisteminin içte kalan parçaları yıkanır. Böylece iç kısımdan damlama haznesine yıkama suyu da akabilir.

Açma ve kapama sırasında cihaz otomatik yıkama yapar.

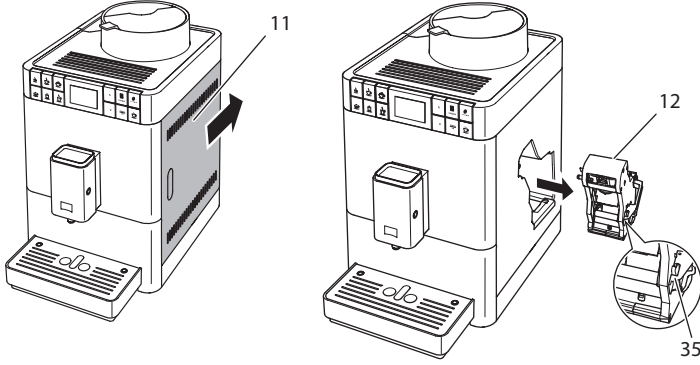
Yıkamayı manuel olarak da yapabilirsiniz:

**Ön koşul:** Ekranda hazır göstergesi belirmelidir.

1. Çıkışın altına bir fincan koyun.
2. "menu/ok" tuşuna 2 saniyeden uzun basın.
  - » Menü ekranda belirir.
3. Koruyucu bakım > Yıkama menüsüne gidin.
  - » Cihaz otomatik yıkama yapar.
  - » Ekranda hazır göstergesi belirir.

### 8.3 Pişirme ünitesinin çıkarılması ve temizlenmesi

Cihazda hasar oluşmasını önlemek için demleme ünitesini haftada bir kez temizlemenizi öneririz.

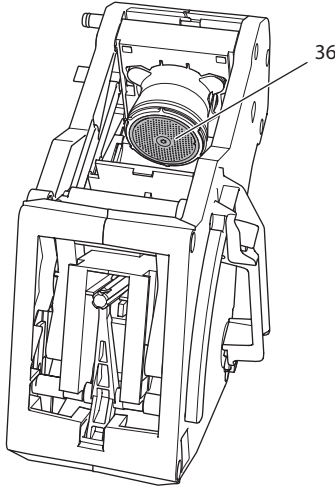


Resim 17: Pişirme ünitesinin çıkarılması

**Ön koşul:** Cihaz kapalı olmalıdır.

1. Kapağı (11) açın. Bunun için cihazın sağ tarafındaki yuvaya elinizi sokun ve kapağı arkaya doğru itin. Kapağı alın.
2. Demleme ünitesinin (35) kulpundaki kırmızı kola (12) bastırın ve tutun, ardından kulpu saat yönünde yerine oturuncaya dek sonuna kadar çevirin.

3. Demleme ünitesini kulptan çekerek cihazdan çıkarın.



Resim 18: Demleme ünitesinin temizlenmesi

4. Pişirme ünitesini akan suyun altında her tarafından iyice yıkayın.
  - » Pişirme ünitesi ve süzgeç (36) kahve artıklarından arınmış olmalıdır.
5. Demleme ünitesinin suyu damlayana kadar bekleyin.
6. Yumuşak ve kuru bir bezle cihazın içindeki kahve artıklarını temizleyin.
7. Demleme ünitesini cihaza yerleştirin. Demleme ünitesinin kulpundaki kırmızı kola bastırın ve tutun, ardından kulpu saat yönünün tersine yerine oturuncaya dek sonuna kadar çevirin.
8. Kapağı kapatın. Bunun için kapağı yerleştirin ve yerine oturana kadar öne doğru sürün.

## 8.4 “Easy Cleaning” programının kullanımı

“Easy Cleaning” programıyla süt sistemi yıkanır.

Sütlü bir içecek hazırlandıktan sonra cihaz Easy Cleaning programını işletmenizi ister.

Easy Cleaning programını manuel olarak da işletebilirsiniz.

**Ön koşul:** Ekranda hazır göstergesi belirmelidir.

1. Çıkışın altına bir fincan koyun.
2. “menu/ok” tuşuna 2 saniyeden uzun basın.
  - » Menü ekranda belirir.

3. Koruyucu bakım > Easy Cleaning menüsüne gidin.
  4. Ok tuşlarıyla *Başlat* seçimini yapın ve “menu/ok” ile onaylayın.
  5. Easy Cleaning programı tamamlanana kadar ekranda verilen diğer talimatlara uyun.
- » Ekranda hazır göstergesi belirir.

## 8.5 “Süt sistemini temizle” programının kullanımı

Süt sisteminin temizlenmesi için süt sistemi temizleyicisi gereklidir.

Hijyeni korumak ve cihazda hasarları önlemek için temizlik programının haftada bir kez uygulanmasını öneririz.

Temizlik programı yaklaşık 3 dakika sürer ve yarıda kesilmemelidir.

### DİKKAT

**Uygun olmayan süt sistemi temizleyicilerinin kullanılması ve kullanım uyarılarının dikkate alınmaması cihazda hasarlara yol açabilir.**

- Sadece Melitta® PERFECT CLEAN kahve otomatları süt sistemi temizleyicisini kullanın.
- Süt sistemi temizleyicisinin ambalajı üzerinde yer alan kullanım uyarılarını dikkate alın.

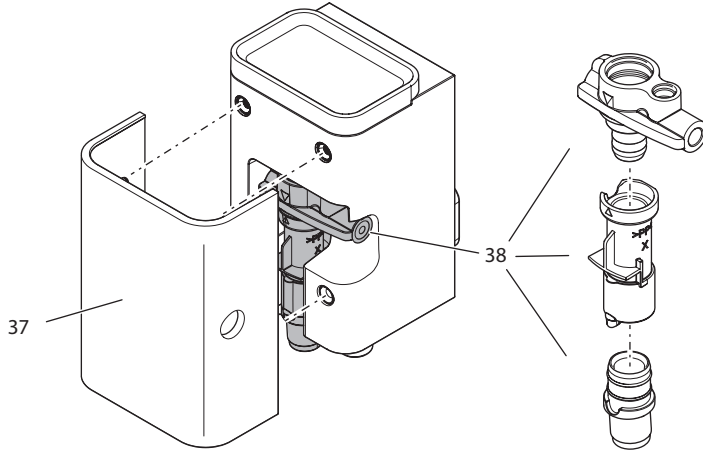
**Ön koşul:** Ekranda hazır göstergesi belirmelidir.

1. Çıkışın altına kahve posası kabını (7) veya en az 0,7 litre kapasiteli bir kap koyun.
  2. “menu/ok” tuşuna 2 saniyeden uzun basın.
    - » Menü ekranda belirir.
  3. *Koruyucu bakım > Süt sistemini temizle* menüsüne gidin.
  4. Ok tuşlarıyla *Başlat* seçimini yapın ve “menu/ok” ile onaylayın.
  5. Temizlik programı tamamlanana kadar ekranda verilen talimatlara uyun.
- » Ekranda hazır göstergesi belirir.



## Süt ünitesinin temizlenmesi

Ayrıca süt ünitesi, süt hortumu ve süt haznesinin de (modele göre) düzenli olarak temizlenmesini öneririz.



Resim 19: Süt ünitesinin çıkarılması

Süt ünitesini çıkarmak için aşağıda belirtildiği gibi hareket edin:

**Ön koşul:** Süt hortumu cihazdan çıkarılmış olmalıdır.

1. Kapağı (37) çıkıştan öne doğru çekerek alın.
2. Süt ünitesini (38) aşağıya doğru çekin ve çıkarın.
3. Süt ünitesini yukarıda gösterildiği gibi üç parçaya ayırın.
4. Parçaları sıcak suyla temizleyin. Teslimat kapsamındaki temizleme fırçasını, yumuşak ve nemli bir bez ve sıradan bulaşık deterjanı kullanın.

Montaj, işlemleri tersine takip ederek gerçekleştir.

## 8.6 “Kahve sistemini temizle” programının kullanımı

“Kahve sistemini temizle” programıyla kalıntılar ve kahve yağı artıkları kahve otomatı temizleyicisi yardımıyla giderilir.

Cihazda hasarları önlemek için temizlik programının 2 ayda bir veya cihazın talep ettiği zamanlarda uygulanmasını öneririz.

Temizlik programı yaklaşık 10 dakika sürer ve yarıda kesilmemelidir.

**⚠ Dikkat**

**Kahve otomatı temizlik maddeleriyle temas edilmesi, gözlerde ve ciltte tahrişlere sebep olabilir.**

- Kahve otomatı temizlik maddesinin ambalajı üzerinde yer alan kullanım uyarılarını dikkate alın.

**DİKKAT**

**Uygun olmayan kahve otomatı temizleyicilerinin kullanılması cihazda hasarlara yol açabilir.**

- Sadece Melitta® PERFECT CLEAN kahve otomatları temizlik tabletlerini kullanın.

**Ön koşul:** Ekranda hazır göstergesi belirmelidir.

1. "menu/ok" tuşuna 2 saniyeden uzun basın.
  - » Menü ekranda belirir.
2. Koruyucu bakım > Kahve sistemi temizliği menüsüne gidin.
3. Ok tuşlarıyla *Başlat* seçimini yapın ve "menu/ok" ile onaylayın.
4. Temizlik programı tamamlanana kadar ekranda verilen talimatlara uyun.
  - » Ekranda hazır göstergesi belirir.

## 8.7 "Kireç çöz" programının kullanımı

Kireç çözme programı, cihazın içindeki kireç artıklarının kahve otomatı kireç çözücü maddesiyle temizler.

Cihazda hasarları önlemek için kireç çözme programının 3 ayda bir veya cihazın talep ettiği zamanlarda uygulanmasını öneririz.

Kireç çözme programı yaklaşık 25 dakika sürer ve yarıda kesilmemelidir.

**⚠ Dikkat**

**Kahve otomatı kireç çözücülerıyla temas, gözlerde ve ciltte tahrişlere sebep olabilir.**

- Kahve otomatı kireç çözücülerin ambalajı üzerinde yer alan kullanım uyarılarını dikkate alın.

**DİKKAT**

**Uygun olmayan kireç çözücülerin kullanılması ve kullanım uyarılarının dikkate alınmaması cihazda hasarlara yol açabilir.**

- Sadece Melitta® ANTI CALC kahve otomatları sıvı kireç çözücüyü kullanın.
- Kireç çözücünün ambalajı üzerinde yer alan kullanım uyarılarını dikkate alın.

**DİKKAT**

**Takılı olan su filtresi kireç çözme programı boyunca hasar görebilir.**

- Cihazın talebi doğrultusunda su filtresini çıkarın.
- Kireç çözme programı boyunca su filtresini içinde musluk suyu bulunan bir kabın içine koyun.
- Kireç çözme programı tamamlandıktan sonra su filtresini tekrar takabilir ve kullanabilirsiniz.

**Ön koşul:** Ekranda hazır göstergesi belirmelidir.

1. “menu/ok” tuşuna 2 saniyeden uzun basın.
  - » Menü ekranda belirir.
2. Koruyucu bakım > Kireç çöz menüsüne gidin.
3. Ok tuşlarıyla *Başlat* seçimini yapın ve “menu/ok” ile onaylayın.
4. Kireç çözme programı tamamlanana kadar ekranda verilen talimatlarla uyun.
  - » Ekranda hazır göstergesi belirir.

## 8.8 Su sertliğinin ayarlanması

Su sertliği ayarıyla cihazın sizden hangi sıklıkla kireç çözme işlemi talep edeceği belirlenir. Su ne kadar sert olursa, cihazın o denli sık kireçten arındırılması gerekir.

### **Bilgi**

Su filtresi kullanıyorsanız su sertliğini ayarlamanız mümkün değildir. Su sertliği otomatik olarak 1 = *Yumuşak* ayarındadır (bkz. Bölüm 8.9 *Su filtresinin kullanımı* Sayfa 569).

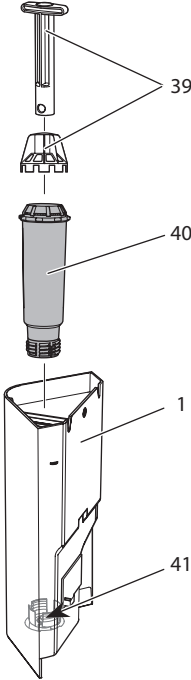
Teslimat kapsamındaki test şeritleriyle suyun sertliğini belirleyin. Test şeritlerinin ambalajında ve *Su sertlik aralığı* Sayfa 573 tablosunda yer alan bilgileri dikkate alın.

**Ön koşul:** Ekranda hazır göstergesi belirmelidir.

1. "menu/ok" tuşuna 2 saniyeden uzun basın.
  - » Menü ekranda belirir.
2. Ok tuşlarıyla *Su sertliği* menüsüne gidin.
3. Ok tuşlarıyla su sertlik aralığını seçin ve "menu/ok" ile onaylayın.
4. Çık komutuyla menüyü terk edin.
  - » Ekranda hazır göstergesi belirir.

## 8.9 Su filtresinin kullanımı

Su filtresinin kullanılması cihazın ömrünü uzatır ve cihazı o kadar sık kireçten arındırmanız gerekmez. Teslimat kapsamındaki su filtresi suyun içindeki kireç ve diğer zararlı maddeleri filtreler.



Resim 20: Su filtresinin takılması veya çıkarılması

Su filtresi (40), takma yardımcı elemanı (39) su haznesinin (1) tabanındaki dişli yuvaya (41) takılır veya çıkarılır.

## Su filtresinin takılması

### Bilgi

Su filtresini yerleştirmeden önce birkaç dakika boyunca taze musluk suyu içeren bir kabın içine koyun.

**Ön koşul:** Ekranda hazır göstergesi belirmelidir.

1. "menu/ok" tuşuna 2 saniyeden uzun basın.
    - » Menü ekranda belirir.
  2. Koruyucu bakım > Filtre > Filtreyi yerleştir menüsüne gidin.
  3. Ok tuşlarıyla *Başlat* seçimini yapın ve "menu/ok" ile onaylayın.
  4. Ekranda verilen talimatlara uyun.
    - » Su sertliği otomatik olarak *Yumuşak* ayarlıdır.
- » Ekranda hazır göstergesi belirir.

## Su filtresinin değiştirilmesi

Cihazın talebi doğrultusunda su filtresini değiştirin.

**Ön koşul:** Ekranda hazır göstergesi belirmelidir.

1. "menu/ok" tuşuna 2 saniyeden uzun basın.
    - » Menü ekranda belirir.
  2. Koruyucu bakım > Filtre > Filtreyi değiştir menüsüne gidin.
  3. Ok tuşlarıyla *Başlat* seçimini yapın ve "menu/ok" ile onaylayın.
  4. Ekranda verilen talimatlara uyun.
- » Ekranda hazır göstergesi belirir.

## Su filtresinin çıkarılması

Su filtresi uzun bir süre kuru kalmamalıdır. Su filtresi uzun süre kullanılmadığında, musluk suyu içeren bir kabın içinde buzdolabında saklanması önerilir.

Su filtresini şu şekilde çıkarın:

**Ön koşul:** Ekranda hazır göstergesi belirmelidir.

1. "menu/ok" tuşuna 2 saniyeden uzun basın.
  - » Menü ekranda belirir.
2. Koruyucu bakım > Filtre > Filtreyi çıkar menüsüne gidin.
3. Ok tuşlarıyla *Başlat* seçimini yapın ve "menu/ok" ile onaylayın.

4. Ekranda verilen talimatlara uyun.
  - » Su sertliği otomatik olarak önceki ayara geçer.
  - » Ekranda hazır göstergesi belirir.
5. Gerekirse su sertliğini yeniden ayarlayın (bkz. Bölüm 8.8 *Su sertliğinin ayarlanması* Sayfa 568).

## 9 Arızalar

Aşağıda belirtilen önlemlerle arızaların giderilemediği veya burada belirtilmeyen daha başka arızaların belirdiği hallerde lütfen müşteri hattını arayın (şehir içi görüşme tarifesi).

Servis numarasını yan kapağın arkasında (11) veya internet sayfamızda Servis başlığı altında bulabilirsiniz.

Arıza	Sebeup	Önlem
Kahve sadece damlalar halinde çıkış ünitesinden akıyor.	Öğütme derecesi fazla ince.	▪ Daha kaba bir öğütme derecesi ayarlayın (bkz. Bölüm 7.6 Sayfa 561).
	Cihaz kirli.	▪ Demleme ünitesini temizleyin (bkz. Bölüm 8.3 Sayfa 563). ▪ Temizlik programını uygulayın (bkz. Bölüm 8.6 Sayfa 566).
	Cihazda kireçlenme var.	▪ Cihazın kirecini çözün (bkz. Bölüm 8.7 Sayfa 567).
Kahve akıyor.	Su haznesi dolu değil veya doğru yerleştirilmedi.	▪ Su haznesini doldurun ve doğru yerleşmesine dikkat edin (bkz. Bölüm 4.5 Sayfa 546).
	Demleme ünitesi tıkanmış.	▪ Pişirme ünitesini temizleyin (bkz. Bölüm 8.3 Sayfa 563).
Çekirdek haznesi dolu olmasına rağmen ekranda <i>Çekirdek doldurun</i> uyarısı beliriyor.	Kahve çekirdekleri öğütücüye düşmüyor.	▪ Bir seçim tuşuna basın. ▪ Çekirdek haznesine hafifçe vurun. ▪ Çekirdek haznesini temizleyin. ▪ Kahve çekirdekleri fazla yağlı. Başka kahve çekirdekleri kullanın.
Öğütücüden yüksek sesler geliyor.	Öğütücüde yabancı cisim var.	▪ Müşteri hattını arayın.
Demleme ünitesi çıkarıldıktan sonra tekrar yerleştirilemiyor.	Pişirme ünitesinin kilit mekanizmasının kolu doğru pozisyonda değil.	▪ Kilit mekanizması kolunun düzgün bir şekilde yerine oturup oturmadığını kontrol edin (bkz. Bölüm 8.3 Sayfa 563).
	Tahrik ünitesi doğru pozisyonda değil.	▪ "Kahve sertliği" tuşuna basın ve basılı tutun. Ayrıca "Açma/Kapama" düğmesine basın. Cihaz yeniden başlatılacaktır. Tuşları bırakın.
Ekranda <i>Sistem hatası</i> uyarısı beliriyor.	Yazılım arızası.	▪ Cihazı kapatın ve tekrar açın (bkz. Bölüm 4.1 Sayfa 542). ▪ Müşteri hattını arayın.

## 10 Nakliye, depolama ve imha

### 10.1 Cihazın havasının alınması

Cihaz uzun süre kullanılmadığında, nakliye öncesinde ve don tehlikesi halinde cihazın havasının alınmasını öneririz.

Havanın alınması sırasında cihazın içinde kalan su boşaltılır.

**Ön koşul:** Ekranda hazır göstergesi belirmelidir.

1. Çıkışın altına bir fincan koyun.
2. "menu/ok" tuşuna 2 saniyeden uzun basın.
  - » Menü ekranda belirir.
3. Sistem > Buhar boşalt menüsüne gidin.
4. Ok tuşlarıyla *Başlat* seçimini yapın ve "menu/ok" ile onaylayın.
5. Ekranda verilen talimatlara uyun.
  - » Cihaz kapanır.

### 10.2 Cihazın nakliyesi

#### DİKKAT

**Donmuş artık su cihazda hasarlara yol açabilir.**

- Cihazın 0 °C altında derecelere maruz kalmasını önleyin.

#### Bilgi

Cihazı orijinal ambalajında nakledin. Böylece nakliye hasarlarını önlemiş olursunuz.

Cihazı nakletmeden önce aşağıda belirtilen çalışmaları yapın:

1. Cihazın havasını alın (bkz. Bölüm 10.1 *Cihazın havasının alınması* Sayfa 572).
2. Damlama haznesini ve kahve posası kabını boşaltın.
3. Su haznesini boşaltın.
4. Çekirdek haznesini boşaltın.
5. Cihazı temizleyin (bkz. Bölüm 8.1 *Genel temizlik* Sayfa 562).
6. Takılı olmayan parçaları (fincan paneli vs.) uygun bir yapıştırma bandıyla sabitleyin.
7. Cihazı ambalajlayın.

### 10.3 Cihazın imha edilmesi



Bu sembolle işaretli olan cihazlar WEEE'ye uygun olarak (Waste Electrical and Electronic Equipment) 2002/96/AT sayılı Avrupa Direktifi'ne uygundur.

Elektrikli ev aletleri ev çöpüne atılmamalıdır.

- Cihazı lütfen uygun toplama sistemleri ile çevreye zarar vermeyecek şekilde imha edin.

## 11 Teknik veriler

Teknik veriler	
Çalışma voltajı	220 V ile 240 V arası, 50 Hz
Güç girişi	Maksimum 1450 W
Pompa basıncı	Sabit maksimum 15 bar
Ebatlar	
Genişlik	253 mm
Yükseklik	390 mm
Derinlik	380 mm
Kapasite	
Çekirdek haznesi	125 g
Su haznesi	1,2 l
Alınan içeceğin miktarı	25 ml ile 220 ml arası
Ağırlık (boş)	8,3 kg
Çevre koşulları	
Sıcaklık	10 °C ile 32 °C arası
Göreceli hava nem oranı	%30 ile %80 arası (yoğunlaşmasız)

Su sertlik aralığı	°d	°e	°f
Yumuşak	0 ile 10 arası	0 ile 13 arası	0 ile 18 arası
orta	10 ile 15 arası	13 ile 19 arası	18 ile 27 arası
Sert	15 ile 20 arası	19 ile 25 arası	27 ile 36 arası
Çok sert	>20	>25	>36



Fabrika ayarları		
Espresso	İçecek miktarı	40 ml
	Kahve sertliği	Sert
	Piştirme sıcaklığı	Normal
Café Crème	İçecek miktarı	120 ml
	Kahve sertliği	Sert
	Piştirme sıcaklığı	Normal
Cappuccino	İçecek miktarı	130 ml
	Kahve sertliği	Sert
	Piştirme sıcaklığı	Normal
Latte Macchiato	İçecek miktarı	190 ml
	Kahve sertliği	Sert
	Piştirme sıcaklığı	Normal
Süt	Köpük miktarı	180 ml
	Süt miktarı	180 ml
Sıcak su	İçecek miktarı	180 ml

# Turinys

<b>1</b>	<b>Jūsų pačių saugumui.....</b>	<b>577</b>
1.1	Tinkamas naudojimas .....	577
1.2	Elektros srovės keliamas pavojus .....	578
1.3	Pavojus nusidenginti ir nusiplikyti.....	578
1.4	Bendrieji saugos reikalavimai .....	579
<b>2</b>	<b>Įrenginio apžvalga.....</b>	<b>580</b>
2.1	Įrenginio vaizdas .....	580
2.2	Valdymo lauko apžvalga .....	582
<b>3</b>	<b>Pirmieji žingsniai.....</b>	<b>583</b>
3.1	Įrenginio išpakavimas.....	583
3.2	Patiekto komplekto tikrinimas .....	583
3.3	Įrenginio pastatymas.....	584
3.4	Įrenginio prijungimas.....	584
3.5	Įrenginio pirmasis įjungimas .....	584
<b>4</b>	<b>Pagrindiniai valdymo veiksmai.....</b>	<b>586</b>
4.1	Įrenginio įjungimas ir išjungimas .....	586
4.2	Valdymo lauko naudojimas.....	587
4.3	Naršymas meniu.....	587
4.4	Kavos pupelių įpylimas į talpyklą .....	589
4.5	Vandens įpylimas .....	590
4.6	Piltuvėlio reguliavimas .....	591
4.7	Pieno naudojimas .....	592
4.8	Lašų surinktuvo ir kavos tirščių talpyklos ištuštinimas.....	594
<b>5</b>	<b>Gėrimų ruošimas.....</b>	<b>595</b>
5.1	Espreso arba juodos kavos ruošimas .....	595
5.2	Kapučino ruošimas .....	596
5.3	Makiato ruošimas.....	596
5.4	Pieno putas arba šilto pieno ruošimas.....	597
5.5	Karšto vandens ruošimas .....	597
5.6	Kitų kavos gėrimų ruošimas pagal receptus .....	597
5.7	Gėrimo nuostatų keitimas prieš ruošiant ir ruošiant gėrimą .....	599
5.8	Gėrimo ruošimo nutraukimas .....	600
5.9	Dviejų gėrimų ruošimas vienu metu .....	600
<b>6</b>	<b>Ilgalaikis gėrimų nuostatų keitimas .....</b>	<b>601</b>
6.1	Išankstinių nuostatų keitimas.....	601

<b>7</b>	<b>Pagrindinių nuostatų keitimas.....</b>	<b>602</b>
7.1	Kalbos nustatymas .....	602
7.2	Automatinio išjungimo nustatymas .....	602
7.3	Energijos taupymo režimo nustatymas .....	603
7.4	Įrenginio gamyklinių nuostatų atkūrimas.....	603
7.5	Įrenginio būsenos informacija .....	604
7.6	Malimo smulkumo nustatymas .....	605
<b>8</b>	<b>Įprastinė ir techninė priežiūra .....</b>	<b>606</b>
8.1	Bendrieji valymo darbai.....	606
8.2	Kavos sistemos skalavimas .....	606
8.3	Plikymo bloko išėmimas ir valymas.....	607
8.4	Programos „Easy Cleaning“ naudojimas .....	608
8.5	Programos „Pieno sistemos valymas“ naudojimas .....	609
8.6	Programos „Kavos sistemos valymas“ naudojimas .....	610
8.7	Programos „Kalkių šalinimas“ naudojimas.....	611
8.8	Vandens kietumo nustatymas.....	612
8.9	Vandens filtro naudojimas.....	613
<b>9</b>	<b>Trikitys.....</b>	<b>615</b>
<b>10</b>	<b>Transportavimas, laikymas ir atliekų tvarkymas .....</b>	<b>616</b>
10.1	Įrenginio išgarinimas .....	616
10.2	Įrenginio transportavimas .....	616
10.3	Įrenginio atliekų tvarkymas.....	617
<b>11</b>	<b>Techniniai duomenys .....</b>	<b>617</b>

## Gerbiama vartotoja, gerbiamas vartotojau,

dėkojame, kad nusprendėte įsigyti visiškai automatinį kavos aparatą „Melitta® Passione® OT“.

Naudojimo vadovas padės susipažinti su įvairiomis įrenginio galimybėmis ir mėgautis didžiausiu kavos teikiamu malonumu.

Atidžiai perskaitykite šį naudojimo vadovą. Šitaip apsisaugosite nuo žmonių sužalojimo ir materialinės žalos. Kruopščiai saugokite naudojimo vadovą. Jei perleidžiate įrenginį, taip pat perduokite ir šį naudojimo vadovą.

„Melitta“ neatsako už žalą, atsiradusią dėl naudojimo vadovo nesilaikymo.

Jei prireikė daugiau informacijos ar turite klausimų dėl įrenginio, kreipkitės į „Melitta“ arba aplankykite mus internete:  
[www.international.melitta.de](http://www.international.melitta.de)

Linkime, kad įrenginys suteiktų jums kuo daugiau džiaugsmo.

## 1 Jūsų pačių saugumui

**CE** Įrenginys atitinka galiojančias Europos direktyvas ir pagamintas taikant naujausias technologijas. Nepaisant to, galimi liekamieji pavojai. Kad apsisaugotumėte nuo pavojų, laikykitės saugos reikalavimų. „Melitta“ neatsako už žalą, atsiradusią dėl saugos reikalavimų nesilaikymo.

### 1.1 Tinkamas naudojimas

Įrenginys skirtas kavos gėrimams iš kavos pupelių ruošti bei pienui ir vandeniui šildyti.

Įrenginys skirtas naudoti namų ūkyje.

Bet koks kitoks jo naudojimas laikomas netinkamu ir gali sukelti žmonių sužalojimą bei materialinę žalą. „Melitta“ neatsako už žalą, atsiradusią dėl įrenginio netinkamo naudojimo.

## 1.2 Elektros srovės keliamas pavojus

Jei pažeistas įrenginys arba jo maitinimo kabelis, kyla pavojus gyvybei dėl elektros smūgio.

Laikykitės šių saugos reikalavimų, kad apsisaugotumėte nuo elektros srovės keliamo pavojaus:

- Nenaudokite pažeisto maitinimo kabelio.
- Pakeisti pažeistą maitinimo kabelį gali tik gamintojas, jo klientų aptarnavimo tarnyba arba aptarnavimo partneris.
- Neatverkite priveržtų įrenginio gaubtų.
- Naudokite tik nepriekaištingos techninės būklės įrenginį.
- Sugedusį įrenginį remontuoti gali tik įgaliota remonto įmonė. Neremontuokite įrenginio patys.
- Neatlikite jokių įrenginio, jo detalių ir priedų pakeitimų.
- Nenardinkite įrenginio į vandenį.
- Saugokite maitinimo kabelį nuo sąlyčio su vandeniu.

## 1.3 Pavojus nusideginti ir nusiplikyti

Išbėgantys skysčiai ir išsiveržiantys garai gali būti labai karšti. Įrenginio dalys taip pat labai stipriai įkaista.

Kad apsisaugotumėte nuo nusiplikymo ir nudegimo, laikykitės šių saugos reikalavimų:

- Saugokitės, kad išbėgantys skysčiai ir išsiveržiantys garai nepatektų ant odos.
- Nelieskite piltuvėlio antgalių gėrimo išpylimo metu ar iškart po jo. Palaukite, kol dalys atvės.

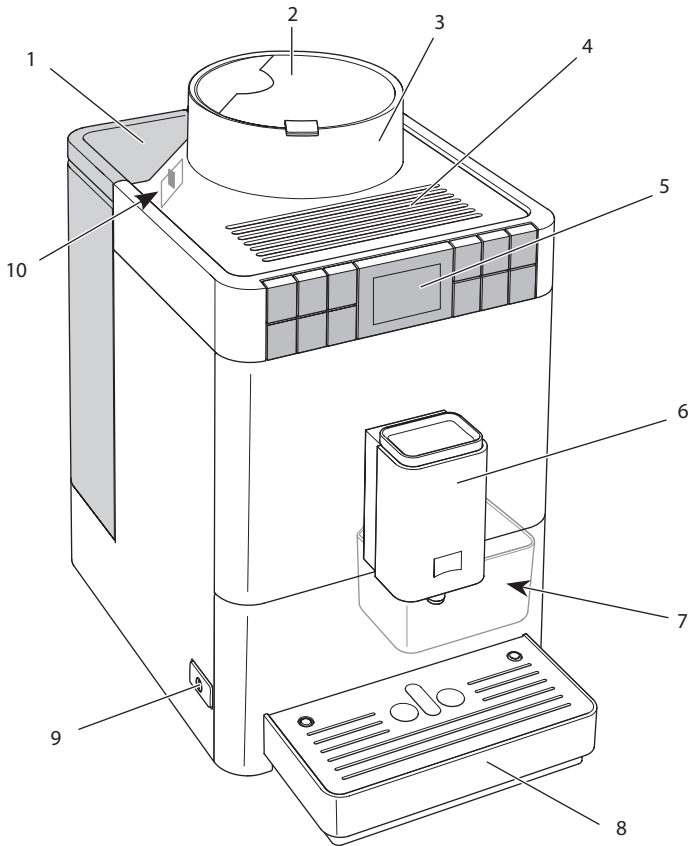
## 1.4 Bendrieji saugos reikalavimai

Kad apsisaugotumėte nuo žmonių sužalojimo ir materialinės žalos, laikykitės šių saugos reikalavimų:

- Nenaudokite įrenginio spintoje ar panašioje vietoje.
- Įrenginiui veikiant, nelįskite į įrenginio vidų.
- Neprileiskite prie įrenginio ir jo maitinimo kabelio jaunesnių nei 8 metų vaikų.
- Vaikai nuo 8 metų, ribotų fizinių, sensorinių ir protinių gebėjimų asmenys bei asmenys, kuriems trūksta patirties ar žinių, įrenginį naudoti gali tik prižiūrimi arba išmokyti, kaip tinkamai jį naudoti bei supratę kylančius pavojus.
- Vaikams draudžiama žaisti įrenginiu. Jaunesniems nei 8 metų vaikams draudžiama valyti įrenginį ir atlikti jo techninę priežiūrą. Įrenginį valantys ir jo techninę priežiūrą atliekantys vyresni nei 8 metų vaikai turi būti prižiūrimi.
- Jei įrenginį ilgesniam laikui paliekate be priežiūros, atjunkite jį nuo elektros tinklo.
- Draudžiama naudoti įrenginį didesniame nei 2000 m aukštyje virš jūros lygio.
- Valydami įrenginį ir jo dalis atkreipkite dėmesį į atitinkamame skyriuje pateiktus nurodymus (*Įprastinė ir techninė priežiūra 606 psl.*).

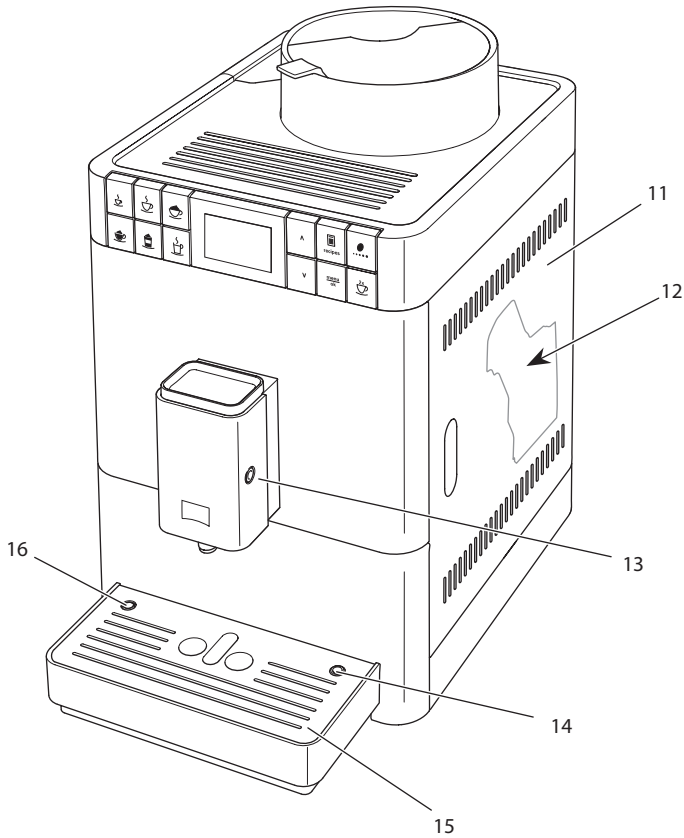
## 2 Įrenginio apžvalga

### 2.1 Įrenginio vaizdas



Pav. 1: Įrenginys iš kairės pusės, iš priekio

- |                                 |   |
|---------------------------------|---|
| 1 Vandens talpykla su dangteliu | 6 Reguliuojamo aukščio piltuvėlis su 2 kavos antgaliais, 1 pieno antgaliu, 1 karšto vandens antgaliu, puodelių apšvietimu |
| 2 Pupelių talpyklos dangtelis   | 7 Kavos tirščių talpykla (viduje)   |
| 3 Pupelių talpykla              | 8 Lašų surinktuvas  |
| 4 Puodelių padėklas             | 9 Pagrindinis jungiklis   |
| 5 Valdymo laukas                | 10 Malimo smulkumo reguliavimo svirtelė (viduje)  |

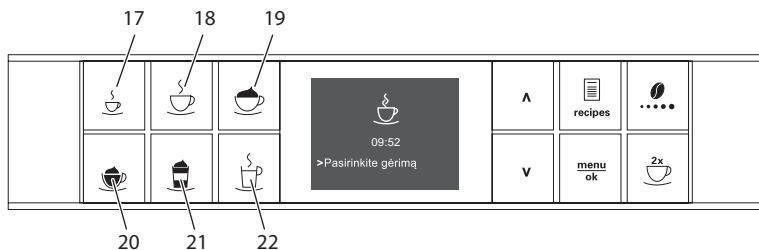


Pav. 2: Įrenginys iš dešinės pusės, iš priekio

- |    |  |    |   |
|----|--|----|---|
| 11 | Gaubtas                                | 14 | Pieno žarnelės jungtis prie lašų surinktuvo |
| 12 | Plikymo blokas (viduje)                | 15 | Puodelių padėklas                           |
| 13 | Pieno žarnelės jungtis prie piltuvėlio | 16 | Plūdė                                       |

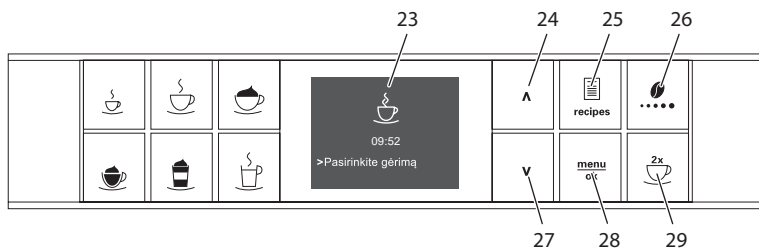


## 2.2 Valdymo lauko apžvalga



Pav. 3: Gėrimų ruošimo mygtukai

Nr.	Pavadinimas	Funkcija
17	Espressas	Ruošti espresą
18	Juoda kava	Ruošti juodą kavą
19	Kapučinas	Kapučino ruošimas
20	Pieno puta / šiltas pienas	Ruošti pieno putą arba šiltą pieną
21	Makiatas	Makiato ruošimas
22	Karštas vanduo	Karšto vandens ruošimas



Pav. 4: Ekranas su valdymo mygtukais

Nr.	Pavadinimas	Funkcija
23	Ekranas	Meniu ir pranešimų ekranas pavyzdžiui: parengties režimo rodmuo
24	Rodyklė aukštyn	Pereiti meniu aukštyn arba padidinti kiekį
25	Receptai	Pasirinkti receptus ir ruošti gėrimus pagal juos
26	Kavos stiprumas	Nustatyti kavos stiprumą
27	Rodyklė žemyn	Pereiti meniu žemyn arba sumažinti kiekį
28	„menu/ok“	Iškvieti meniu arba patvirtinti pasirinkimą
29	Du puodeliai	Dviejų gėrimo puodelių ruošimas

## 3 Pirmieji žingsniai

Šiame skyriuje aprašyta, kaip parengti įrenginį naudojimui.

### 3.1 Įrenginio išpakavimas

Pakuotėje be įrenginio taip pat yra papildomi priedai, tokie kaip valymo įrankiai ir priemonės.

#### **⚠** ATSARGIAI

**Dėl sąlyčio su valomosiomis priemonėmis galimas akių ir odos dirginimas.**

- Kartu su įrenginiu patiektą valomąją priemonę laikykite vaikams nepasiekiamoje vietoje.
- Išpakuokite įrenginį. Pašalinkite pakuotės medžiagas, lipniąją juostą ir apsauginę plėvelę.
- Saugokite pakuotės medžiagas tam atvejui, jei prireiktų įrenginį transportuoti ar grąžinti.

#### **i** Informacija

Įrenginyje gali būti kavos ir vandens pėdsakų. Gamykloje patikrinta, ar gaminys veikia nepriekaištingai.

### 3.2 Patiekto komplekto tikrinimas

Pagal toliau pateiktą sąrašą patikrinkite, ar patiektas visas komplektas. Jei trūksta dalių, kreipkitės į pardavėją.

- pieno talpykla su trumpa pieno žarnele;
- ilga pieno žarnelė;
- valymo šepetys;
- bandymo juostelė vandens kietumui tikrinti.

### 3.3 Įrenginio pastatymas

Laikykitės šių nurodymų:

- Nestatykite įrenginio drėgnose patalpose.
- Įrenginį statykite ant stabilaus, lygaus ir sauso paviršiaus.
- Nestatykite įrenginio prie plautuvių ir pan.
- Nestatykite įrenginio ant karštų paviršių.
- Laikykitės pakankamo maždaug 10 cm atstumo nuo sienos ir kitų daiktų. Atstumas iki virš įrenginio esančių daiktų turi būti bent 20 cm.
- Maitinimo kabelį nutieskite taip, kad jo negalėtų pažeisti aštrios briaunos ar karšti paviršiai.

### 3.4 Įrenginio prijungimas

Laikykitės šių nuorodų:

- Įsitikinkite, ar elektros tinklo įtampa sutampa su skyriuje „Techniniai duomenys“ nurodyta eksploataavimo įtampa (žr. lentelę *Techniniai duomenys* 617 psl.).
- Įrenginį junkite tik į pagal taisykles įrengtą tinklo lizdą su apsauginiu kontaktu. Jei abejojate, kreipkitės į elektriką.
- Tinklo lizdas turi turėti apsauginį kontaktą ir būti apsaugotas bent 10 A saugikliu.

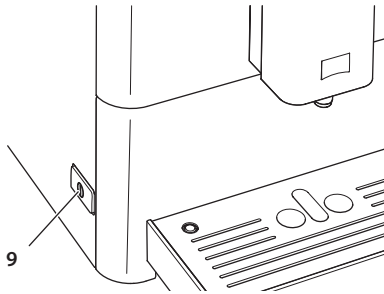
### 3.5 Įrenginio pirmasis įjungimas

Pradėdami naudoti įrenginį galite nustatyti sistemos kalbą ir vandens kietumą. Šias nuostatas vėliau galite pakeisti (žr. skyrius 7 *Pagrindinių nuostatų keitimas* 602 psl. ir 8.8 *Vandens kietumo nustatymas* 612 psl.).

Vandens kietumą tikrinkite pridėta bandymo juostele. Laikykitės lentelėje ant bandymo juostelės pakuotės pateiktų reikalavimų *Vandens kietumo sritis* 617 psl..

#### Informacija

- Rekomenduojame išpilti du pačius pirmus kavos puodelius.
- Jei norite naudoti vandens filtrą, įdėkite jį tik po pirmojo paleidimo.



Pav. 5: Pagrindinis jungiklis

**Būtina sąlyga:** įrenginys turi būti pastatytas ir prijungtas.

1. Po įrenginio piltuvėliu pastatykite indą.
2. Paspauskite pagrindinį jungiklį.
  - » Ekране pasirodo pasveikinimas.
  - » Pasirodo pranešimas, raginantis atlikti įrenginio nuostatas: „Please Setup the machine“.
3. Patvirtinkite spausdami mygtuką „menu/ok“.
  - » Pasirodo meniu „Kalba“.
4. Rodyklių mygtukais pasirinkite savo kalbą. Patvirtinkite spausdami mygtuką „menu/ok“.
  - » Pasirodo meniu „Vandens kietumas“.
5. Rodyklių mygtukais pasirinkite nustatytą vandens kietumo sritį arba patvirtinkite gamykloje nustatytą dydį spausdami „menu/ok“.
  - » Pasirodo raginimas „Pripildykite ir įdėkite vandens talpyklą“.
6. Išimkite vandens talpyklą. Išplaukite ją švariu vandeniu. Pripildykite vandens talpyklą švaraus vandens ir įstatykite ją.
  - » Įrenginys įkaista ir automatiškai išsiskalauja.
  - » Ekране pasirodo parengties režimo rodmuo.
7. Į pupelių talpyklą įpilkite kavos pupelių. Žr. skyrių 4.4 *Kavos pupelių įpylimas į talpyklą 589 psl.*
  - » Jei reikia, galite dabar įstatyti vandens filtrą (žr. skyrių 1.1 *Tinkamas naudojimas 577 psl.*).

## 4 Pagrindiniai valdymo veiksmai

Šiame skyriuje aprašyti įrenginio kasdienio naudojimo pagrindiniai veiksmai.

### 4.1 Įrenginio įjungimas ir išjungimas

Prieš pirmą kartą įjungdami įrenginį perskaitykite skyrių 3.5 *Įrenginio pirmasis įjungimas* 584 psl..

#### Informacija

- Įjungiant ir išjungiant įrenginį, jis automatiškai išsiskalauja.
- Įrenginiui išsiskalavus, skalavimo vanduo išleidžiamas į lašų surinktuvą.

#### Įrenginio įjungimas

1. Po įrenginio piltuvėliu pastatykite indą.
2. Paspauskite pagrindinį jungiklį (9).
  - » Ekrane pasirodo pasveikinimas.
  - » Įrenginys įkaista ir automatiškai išsiskalauja.
- » Ekrane pasirodo parengties režimo rodmuo.

#### Informacija

Jei įrenginys buvo išjungtas tik trumpam, jį įjungus automatinis skalavimas neatliekamas.

#### Įrenginio išjungimas

1. Po įrenginio piltuvėliu pastatykite indą.
2. Paspauskite pagrindinį jungiklį (9).
  - » Įrenginys automatiškai išsiskalauja.
- » Įrenginys išsijungia.

#### Informacija

- Jei įrenginys ilgesnį laiką nenaudojamas, jis automatiškai išsijungia. Šiuo atveju jis taip pat automatiškai išsiskalauja.
- Išjungimo laiką galite nustatyti meniu „Automatinis išjungimas“, žr. skyrių 7.2 *Automatinio išjungimo nustatymas* 602 psl..
- Jei nuo įrenginio įjungimo nebuvo paruoštas joks gėrimas arba vandens talpykla yra tuščia, įrenginys nesiskalauja

## 4.2 Valdymo lauko naudojimas

Pagrindinės įrenginio programos pasiekiamos valdymo lauke.

Paspauskite norimą mygtuką. Mygtukų naudojimo būdai:



### Spustelėjimas

Kad pasirinktumėte programą, trumpai spustelėkite mygtuką.



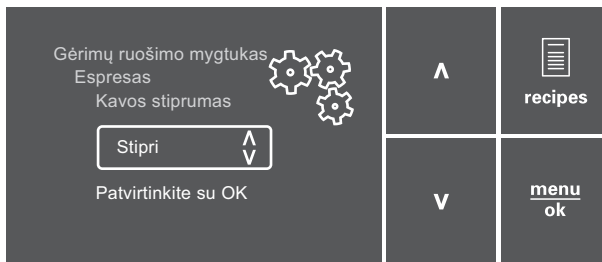
### Ilgas paspaudimas

Palaikykite mygtuką paspaudę ilgiau nei 2 sekundes, kad pasirinktumėte galimai esamą antrą programą.

## 4.3 Naršymas meniu

Norint nustatyti individualias gėrimų parinktis ir atlikti įrenginio techninę bei įprastinę priežiūrą, reikės iškviešti meniu ir naršyti jame.

Sekite ekrane pateiktas nuorodas.



Pav. 6: Ekranas (pavyzdys) ir naršymo mygtukai

Turite šias galimybes naršyti meniu:

### Menu iškvietimas ir pasirinkimo patvirtinimas



Palaikykite paspaudę mygtuką „menu/ok“ ilgiau nei 2 sekundes, kad iškviestumėte meniu.

Spustelėkite mygtuką „menu/ok“, kad patvirtintumėte pasirinkimą.

## Naršymas meniu arba skaitinės vertės keitimas

**V ▲** Spauskite rodyklių mygtukus, kad meniu pereitumėte žemyn arba aukštin.

Rodyklių mygtukais galite padidinti arba sumažinti vertę.

Laikykite paspaudę rodyklės mygtuką, kad greitai pereitumėte į norimą vietą arba nustatytumėte norimą vertę.

## Išėjimas iš meniu

**Exit ↗** Rodyklių mygtukais pasirinkite komandą „Išeiti“ ir paspauskite mygtuką „menu/ok“, kad išeitumėte iš meniu.

Išeiti iš meniu punktų, kuriuose tik rodoma informacija arba kuriuose neatliekate jokių nuostatų, galite spausdami mygtuką „menu/ok“.

## Meniu punktų iškvietimas

Kai kurias įrenginio programas galite pasiekti, vieną po kito iškvietę kelis meniu punktus.

Meniu punktų iškvietimas visada panašus. Šiame pavyzdyje aprašyta, kaip pasiekti programą „Kalkių šalinimas“.



Pav. 7: Naršymas iki programos „Kalkių šalinimas“

1. Palaikykite paspaudę mygtuką „menu/ok“ 2 sekundes.
  - » Ekrane pasirodo meniu.
2. Rodyklių mygtukais pasirinkite punktą „Priežiūra“ ir patvirtinkite spausdami „menu/ok“.
3. Rodyklių mygtukais pasirinkite punktą „Kalkių šalinimas“ ir patvirtinkite spausdami „menu/ok“.

Programų pasirinkimas šiame naudojimo vadove visada vaizduojamas sutrumpintai:

- Pereikite į „Priežiūra > Kalkių šalinimas“.

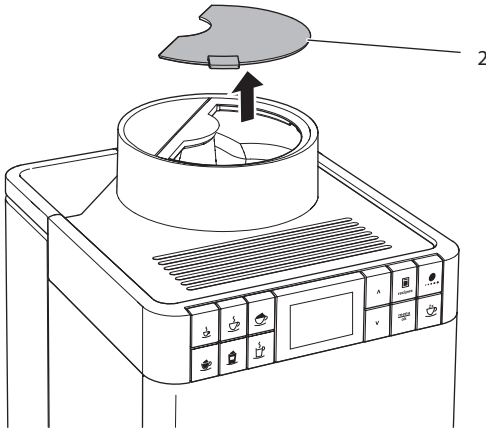
## 4.4 Kavos pupelių įpylimas į talpyklą

Skrudintos kavos pupelės praranda savo aromatą. Į pupelių talpyklą pilkite tik tiek kavos pupelių, kiek suvartosite per artimiausias 3–4 dienas.

### DĖMESIO

**Jei naudojamos netinkamos kavos rūšys, gali aplipti malūnėlis.**

- Nenaudokite šalčiu išdžiointų arba karamelizuotų kavos pupelių.
- Nenaudokite kavos miltelių arba tirpių produktų.



Pav. 8: Pupelių talpyklos dangtelio atvėrimas

1. Atverkite pupelių talpyklos dangtelį (2).
2. Į pupelių talpyklą įpilkite kavos pupelių.
3. Užverkite pupelių talpyklos dangtelį.

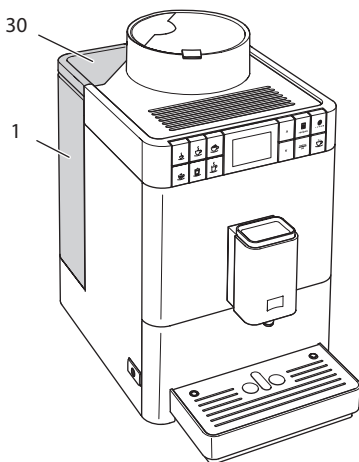


## 4.5 Vandens įpylimas

Norėdami mėgautis gardžiausia kava naudokite švarų, šaltą, negazuotą vandenį. Kasdien keiskite vandenį.

### Informacija

Nuo vandens kokybės labai priklauso kavos skonis. Todėl naudokite vandens filtrą (žr. skyrius 8.8 *Vandens kietumo nustatymas* 612 psl. ir 8.9 *Vandens filtro naudojimas* 613 psl.).

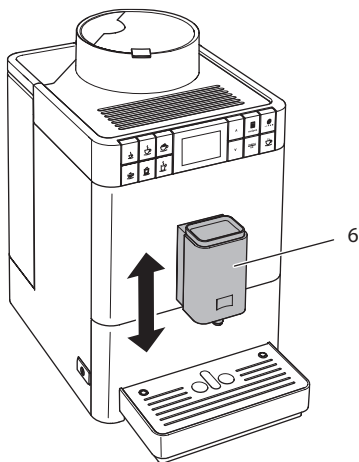


Pav. 9: Vandens talpykla

1. Atverkite vandens talpyklos (30) dangtelį ir paėmę už rankenos iškelkite vandens talpyklą (1) iš įrenginio.
2. Pripildykite vandens talpyklą vandeniu.
3. Iš viršaus įstatykite vandens talpyklą į įrenginį ir uždėkite gaubtą.

## 4.6 Piltuvėlio reguliavimas

Galite reguliuoti piltuvėlio (6) aukštį. Nustatykite taip, kad atstumas tarp piltuvėlio ir indo būtų kuo mažesnis. Priklausomai nuo naudojamo indo, piltuvėlį pastumkite aukštyn arba žemyn.

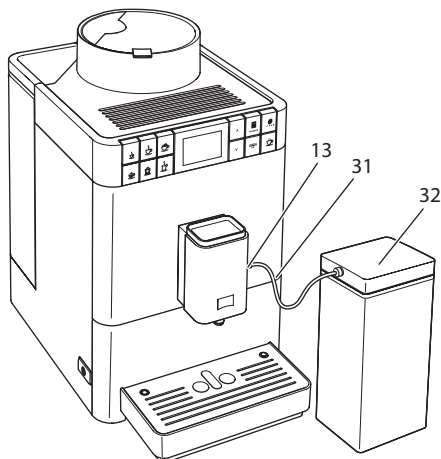


Pav. 10: Piltuvėlio reguliavimas

## 4.7 Pieno naudojimas

Norėdami mėgautis gardžiausia kava naudokite atvėsintą pieną. Priklausomai nuo įrenginio modelio, galite naudoti kartu patiektas ilgą pieno žarnelę arba pieno talpyklą.

### Pieno talpyklos prijungimas



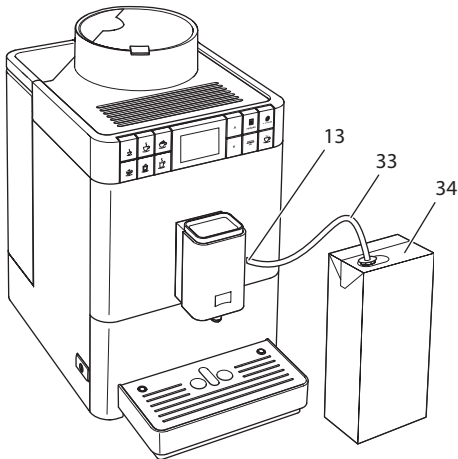
Pav. 11: Prijungta pieno talpykla

1. Prijunkite pieno žarnelę (31) prie piltuvėlio (13) jungties.
2. Laisvą pieno žarnelės galą prijunkite prie pieno talpyklos (32).

#### Informacija

Pripildytą pieno talpyklą laikykite šaldytuve.

## Pieno pakuotės prijungimas



Pav. 12: Prijungta įprasta pieno pakuotė

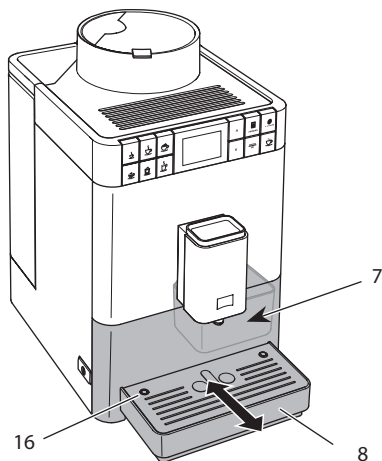
1. Prijunkite ilgą pieno žarnelę (33) prie piltuvėlio (13) jungties.
2. Įkiškite laisvą pieno žarnelės galą į įprastą pieno pakuotę (34).

## 4.8 Lašų surinktuvo ir kavos tirščių talpyklos ištuštinimas

Pagaminius keletą gėrimų gali prisipildyti lašų surinktuvas (8) ir kavos tirščių talpykla (7). Išsikišusi plūdė (16) rodo, kiek prisipildęs lašų surinktuvas.

Pagaminius nurodytą gėrimų skaičių įrenginys taip pat rodys pranešimą, kad prisipildė lašų surinktuvas ir kavos tirščių talpykla.

Visada ištuštinkite lašų surinktuvą ir kavos tirščių talpyklą.



Pav. 13: Lašų surinktuvo ir kavos tirščių talpyklos ištuštinimas

1. Ištraukite lašų surinktuvą (8) pirmyn iš įrenginio.
2. Išimkite ir ištuštinkite kavos tirščių talpyklą (7).
3. Ištuštinkite lašų surinktuvą.
4. Įdėkite kavos tirščių talpyklą.
5. Lašų surinktuvą įstumkite iki galo į įrenginį.

### **i** Informacija

Jei ištuštinate lašų surinktuvą ir kavos tirščių talpyklą, kai įrenginys išjungtas, jis to neatpažįsta. Todėl gali atsitikti, kad įrenginys pareikalaus ištuštinti lašų surinktuvą ir kavos tirščių talpyklą, nors jie neprisipildė.

## 5 Gėrimų ruošimas

Yra dvi galimybės gėrimams ruošti:

- įprastinis ruošimas, kaip aprašyta toliau;
- receptų pasirinkimas ir gėrimų ruošimas pagal juos (žr. skyrių 5.6 *Kitų kavos gėrimų ruošimas pagal receptus* 597 psl.).

### Informacija

Numatytuosius įprastinio ruošimo arba ruošimo pagal receptus nustatymus galite keisti visam laikui (žr. skyrių 6.1 *Išankstinių nuostatų keitimas* 601 psl.).

Atkreipkite dėmesį:

- Vandens talpykloje visada turėtų būti pakankamai vandens. Jei jo trūksta, įrenginys paprašys papildyti.
- Pupelių talpykloje visada turėtų būti pakankamas kiekis kavos pupelių. Jei kavos pupelių nebėra, įrenginys sustabdys kavos gėrimo ruošimo procesą.
- Apie pieno trūkumą įrenginys neinformuoja.
- Gėrimams skirti indai turi būti pakankamai dideli (žr. lentelę *Gamyklinės nuostatos* 618 psl.).

### 5.1 Espresso arba juodos kavos ruošimas



**Būtina sąlyga:** ekrane turi būti parengties režimo rodmuo.



- Po įrenginio piltuvėliu pastatykite indą.
- Paspauskite gėrimo ruošimo mygtuką „Espresas“ arba „Juoda kava“.
  - » Pradedama malti pupeles ir pilti gėrimą.
  - » Gėrimas nustoja bėgti automatiškai.
- Paimkite gėrimo indą.
  - » Ekrane pasirodo parengties režimo rodmuo.

## 5.2 Kapučino ruošimas



**Būtinios sąlygos:** ekrane turi būti parengties režimo rodmuo ir turi būti prijungtas pieno tiekimas.

1. Po įrenginio piltuvėliu pastatykite indą.
  2. Paspauskite gėrimo ruošimo mygtuką „Kapučinas“.
    - » Pradedama malti pupeles ir pilti kavą.
    - » Kava nustoja bėgti automatiškai.
    - » Pradedama bėgti pienas.
    - » Gėrimas nustoja bėgti automatiškai.
  3. Paimkite gėrimo indą.
    - » Ekrane pasirodo pranešimas „Easy Cleaning?“ (spauskite „OK“, kad paleistumėte).
  4. Galite paleisti valymo programą „Easy Cleaning“ arba toliau ruošti gėrimus.
    - a) Paleiskite valymo programą „Easy Cleaning“. Sekite ekrane pateikiamas instrukcijas. Informacijos apie tai rasite skyriuje 8.4 *Programos „Easy Cleaning“ naudojimas* 608 psl..
    - b) Toliau ruoškite gėrimus, o valymo programą „Easy Cleaning“ paleiskite vėliau.
- » Ekrane pasirodo parengties režimo rodmuo.

## 5.3 Makiato ruošimas



**Būtinios sąlygos:** ekrane turi būti parengties režimo rodmuo ir turi būti prijungtas pieno tiekimas.

1. Po įrenginio piltuvėliu pastatykite indą.
  2. Paspauskite gėrimo ruošimo mygtuką „Makiatas“.
    - » Pradedama bėgti pienas.
    - » Pienas nustoja bėgti automatiškai.
    - » Pradedama malti pupeles ir pilti kavą.
    - » Gėrimas nustoja bėgti automatiškai.
  3. Paimkite gėrimo indą.
    - » Ekrane pasirodo pranešimas „Easy Cleaning?“ (spauskite „OK“, kad paleistumėte).
  4. Galite paleisti valymo programą „Easy Cleaning“ arba toliau ruošti gėrimus.
    - a) Paleiskite valymo programą „Easy Cleaning“. Sekite ekrane pateikiamas instrukcijas. Informacijos apie tai rasite skyriuje 8.4 *Programos „Easy Cleaning“ naudojimas* 608 psl..
    - b) Toliau ruoškite gėrimus, o valymo programą „Easy Cleaning“ paleiskite vėliau.
- » Ekrane pasirodo parengties režimo rodmuo.

## 5.4 Pieno putas arba šilto pieno ruošimas



Pieno puta ir šiltas pienas ruošiami panašiai.

**Būtinios sąlygos:** ekrane turi būti parengties režimo rodmuo ir turi būti prijungtas pieno tiekimas.

1. Po įrenginio piltuvėliu pastatykite indą.
2. Paspauskite gėrimo ruošimo mygtuką „Pieno puta / šiltas pienas“.
  - a) pieno putai = spustelėkite mygtuką
  - b) šiltam pienui = palaikykite paspaudę mygtuką (2 sekundes)
    - » Pradedą bėgti pienas.
    - » Gėrimas nustoja bėgti automatiškai.
3. Paimkite gėrimo indą.
  - » Ekrane pasirodo pranešimas „Easy Cleaning?“ (spauskite „OK“, kad paleistumėte).
4. Galite paleisti valymo programą „Easy Cleaning“ arba toliau ruošti gėrimus.
  - a) Paleiskite valymo programą „Easy Cleaning“. Sekite ekrane pateikiamas instrukcijas. Informacijos apie tai rasite skyriuje 8.4 *Programos „Easy Cleaning“ naudojimas* 608 psl..
  - b) Toliau ruoškite gėrimus, o valymo programą „Easy Cleaning“ paleiskite vėliau.
  - » Ekrane pasirodo parengties režimo rodmuo.

## 5.5 Karšto vandens ruošimas



**Būtiną sąlyga:** ekrane turi būti parengties režimo rodmuo.

1. Po įrenginio piltuvėliu pastatykite indą.
2. Paspauskite gėrimo ruošimo mygtuką „Karštas vanduo“.
  - » Pradedą bėgti karštas vanduo.
  - » Gėrimas nustoja bėgti automatiškai.
3. Paimkite gėrimo indą.
  - » Ekrane pasirodo parengties režimo rodmuo.

## 5.6 Kitų kavos gėrimų ruošimas pagal receptus



Greta įprastų gėrimų meniu „Receptai“ galite pasirinkti daugiau gėrimų. Galite ruošti šiuos gėrimus:

Gėrimus be pieno:

- ristretą,
- silpnąjį espresą,
- amerikietišką kavą.



Gėrimus su pienu:

- espresą su pieno puta,
- latę,
- kavą su pienu.

### Ristreto, silpnąjo espreso arba amerikietiškos kavos ruošimas

Ristretas, silpnasis espresas ir amerikietiška kava ruošiami panašiai. Čia pateiktas ristreto kavos ruošimo pavyzdys.

**Būtina sąlyga:** ekrane turi būti parengties režimo rodmuo.

1. Po įrenginio piltuvėliu pastatykite indą.
2. Paspauskite valdymo mygtuką „Receptai“.
  - » Ekrane pasirodo meniu „Receptai“.
3. Rodyklių mygtukais pasirinkite „Ristretas“.
4. Patvirtinkite spausdami „menu/ok“
  - » Pradedama malti pupeles ir pilti gėrimą.
  - » Gėrimas nustoja bėgti automatiškai.
5. Paimkite gėrimo indą.
  - » Ekrane pasirodo parengties režimo rodmuo.

### Espreso su pieno puta, latės arba kavos su pienu ruošimas

Espresas su pieno puta, latė ir kava su pienu ruošiami panašiai. Čia pateiktas espreso su kavos puta ruošimo pavyzdys.

**Būtinios sąlygos:** ekrane turi būti parengties režimo rodmuo ir turi būti prijungtas pieno tiekimas.

1. Po įrenginio piltuvėliu pastatykite indą.
2. Paspauskite valdymo mygtuką „Receptai“.
  - » Ekrane pasirodo meniu „Receptai“.
3. Rodyklių mygtukais pasirinkite „Espresas su pieno puta“.
4. Patvirtinkite spausdami „menu/ok“
  - » Pradedama malti pupeles ir pilti kavą.
  - » Kava nustoja bėgti automatiškai.
  - » Pradedama bėgti pienas.
  - » Gėrimas nustoja bėgti automatiškai.
5. Paimkite gėrimo indą.
  - » Ekrane pasirodo pranešimas „Easy Cleaning?“ (spauskite „OK“, kad paleistumėte).

6. Galite paleisti valymo programą „Easy Cleaning“ arba toliau ruošti gėrimus.
    - a) Paleiskite valymo programą „Easy Cleaning“. Sekite ekrane pateikiamas instrukcijas. Informacijos apie tai rasite skyriuje 8.4 *Programos „Easy Cleaning“ naudojimas* 608 psl..
    - b) Toliau ruoškite gėrimus, o valymo programą „Easy Cleaning“ paleiskite vėliau.
- » Ekrane pasirodo parengties režimo rodmuo.

## 5.7 Gėrimo nuostatų keitimas prieš ruošiant ir ruošiant gėrimą

Prieš ruošdami ir ruošdami gėrimus galite keisti jų nuostatas.

### Informacija

Šios nuostatos taikomos tik tuo metu ruošiamam gėrimui.

### Gėrimo nuostatų keitimas prieš ruošiant gėrimą

Prieš pasirinkdami gėrimą, galite pakeisti gėrimo kiekį ir kavos stiprumą.



- Prieš pasirinkdami gėrimą, rodyklių mygtukais nustatykite gėrimo kiekį.
- Prieš pasirinkdami gėrimą, mygtuku „Kavos stiprumas“ nustatykite kavos stiprumą.

### Informacija

- Ruošiant gėrimų mišinius visas gėrimo kiekis padalintas nustatytu kavos ir pieno kiekio santykiu. Tai taikoma su pienu ar karštu vandeniu maišomiems kavos gėrimams.
- Jei per 1 minutę neruošiamas joks gėrimas, automatiškai sugražinamos įprastinės nuostatos.

## Gėrimo nuostatų keitimas ruošiant gėrimą

Ruošdami gėrimą galite keisti gėrimo kiekį ir kavos stiprumą.



- Ruošdami gėrimą rodyklių mygtukais nustatykite gėrimo kiekį.
- Kol malamos pupelės, valdymo mygtuku „Kavos stiprumas“ nustatykite kavos stiprumą.

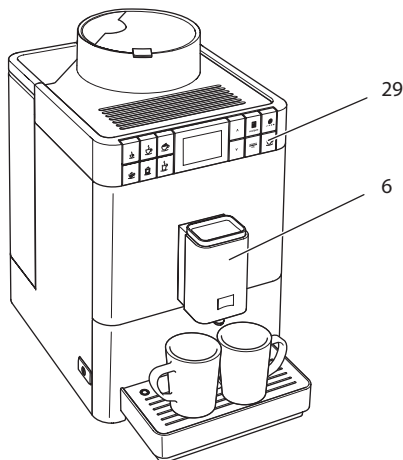
## 5.8 Gėrimo ruošimo nutraukimas

Jei norite nutraukti pradėtą gėrimo ruošimą, paspauskite bet kurį gėrimo ruošimo mygtuką.

## 5.9 Dviejų gėrimų ruošimas vienu metu



Valdymo mygtuku „Du puodeliai“ galite paruošti iš karto du gėrimus. Galima ruošti tik kavos gėrimo du puodelius, pavyzdžiui, espresso, juodos kavos ar ristreto. Neįmanoma ruošti dviejų puodelių karšto vandens, karšto pieno ar gėrimų mišinių.



Pav. 14: Dviejų gėrimo puodelių ruošimas

1. Po įrenginio piltuvėliu pastatykite du indus (6).
2. Paspauskite valdymo mygtuką „Du puodeliai“ (29).
3. Atlikite norimo gėrimo ruošimo aprašyme nurodytus veiksmus.

**i** Informacija

- Nuostata galioja tik vienam gėrimo ruošimui.
- Jei per 1 minutę neruošiamas joks gėrimas, automatiškai sugrąžinamas vieno puodelio režimas.

## 6 Ilgalaikis gėrimų nuostatų keitimas

Irenginys suteikia jums daugiau galimybių ruošti kavos gėrimus. Galite atlikti ilgalaikius iš anksto nustatytų gėrimų receptų pakeitimus.

### 6.1 Išankstinių nuostatų keitimas

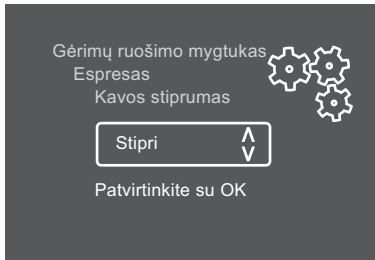
Priklausomai nuo gėrimo, galite keisti šiuos parametrus:

- **kavos kiekis:** nuo 25 ml iki 220 ml;
- **pieno arba pieno putos kiekis:** nuo 25 ml iki 220 ml;
- **karšto vandens kiekis:** nuo 25 ml iki 220 ml;
- **kavos stiprumas:** labai silpna, silpna, vidutinė, stipri, labai stipri;
- **temperatūra:** žema, vidutinė, aukšta.

**i** Informacija

Naujos nuostatos taikomos tol, kol nėra vėl pakeičiamos.

Gėrimų nuostatos keičiamos panašiai visiems gėrimams. Čia pateiktas espresso kavos stiprumo keitimo pavyzdys.



Pav. 15: Kavos stiprumo nustatymas

**Būtina sąlyga:** ekrane turi būti parengties režimo rodmuo.

1. Ilgiau nei 2 sekundes palaikykite paspaudę mygtuką „menu/ok“.
  - » Ekrane pasirodo meniu.
2. Pereikite į meniu „Ruošimo mygtukai > Espressas > Kavos stiprumas“.

3. Rodyklių mygtukais pasirinkite norimą kavos stiprumą ir patvirtinkite spausdami „menu/ok“.
4. Dar kartą pasirinkite komandą „Išeiti“, kad išeitumėte iš meniu.
  - » Ekране pasirodo parengties režimo rodmuo.
- » Kitą kartą pasirinkus espresą, ruošama naujai nustatyto stiprumo kava.

## 7 Pagrindinių nuostatų keitimas

Šiame skyriuje aprašyta, kaip pakeisti įrenginio pagrindines nuostatas.

### 7.1 Kalbos nustatymas

Galite nustatyti vartotojo sąsajos tekstų kalbą.

**Būtina sąlyga:** ekране turi būti parengties režimo rodmuo.

1. Ilgiau nei 2 sekundes palaikykite paspaudę mygtuką „menu/ok“.
  - » Ekране pasirodo meniu.
2. Pereikite į meniu „Kalba“.
3. Rodyklių mygtukais pasirinkite kalbą ir patvirtinkite spausdami „menu/ok“.
4. Pasirinkite komandą „Išeiti“, kad išeitumėte iš meniu.
  - » Ekране pasirodo parengties režimo rodmuo.

### 7.2 Automatinio išjungimo nustatymas

Jei įrenginys ilgesnį laiką nenaudojamas, jis automatiškai išsijungia. Šį laiką galite nustatyti meniu „Automatinis išjungimas“, žr. skyrių.

#### Automatinio išjungimo trukmės nustatymas

**Būtina sąlyga:** ekране turi būti parengties režimo rodmuo.

1. Ilgiau nei 2 sekundes palaikykite paspaudę mygtuką „menu/ok“.
  - » Ekране pasirodo meniu.
2. Pereikite į meniu „Automatinis išjungimas“
3. Rodyklių mygtukais pasirinkite laiką ir patvirtinkite spausdami „menu/ok“.
4. Pasirinkite komandą „Išeiti“, kad išeitumėte iš meniu.
  - » Ekране pasirodo parengties režimo rodmuo.

#### Informacija

Automatinio išjungimo funkcijos negalima visiškai išaktyvinti. Vėliausiai praėjus 8 valandoms nuo paskutinių veiksmų įrenginys išsijungia.

### 7.3 Energijos taupymo režimo nustatymas

Aktyvius energijos taupymo režimą, sumažinama kaitinimo temperatūra.

Jei įrenginys ilgesnį laiką nenaudojamas, automatiškai įjungiamas energijos taupymo režimas. Po to ekrane pasirodo raginimas „*Paspauskite bet kurį mygtuką*“. Jei laikotės šio raginimo, energijos taupymo režimas išjungiamas.

Meniu „*Energijos taupymo režimas*“ galite nustatyti laiką, po kurio aktyvinamas energijos taupymo režimas.

**Būtina sąlyga:** ekrane turi būti parengties režimo rodmuo.

1. Ilgiau nei 2 sekundes palaikykite paspaudę mygtuką „menu/ok“.
    - » Ekrane pasirodo meniu.
  2. Pereikite į meniu „*Energijos taupymo režimas*“.
  3. Rodyklių mygtukais pasirinkite laiką ir patvirtinkite spausdami „menu/ok“.
  4. Pasirinkite komandą „*Išeiti*“, kad išeitumėte iš meniu.
- » Ekrane pasirodo parengties režimo rodmuo.

#### Informacija

Energijos taupymo režimo negalima visiškai išaktyvinti. Vėliausiai praėjus 4 valandoms nuo paskutinių veiksmų įjungiamas energijos taupymo režimas.

### 7.4 Įrenginio gamyklinių nuostatų atkūrimas

Galite atkurti įrenginio gamyklines nuostatas.

#### Informacija

Jei atkuriate įrenginio gamyklines nuostatas, panaikinamos visos asmeninės nuostatos.

**Būtina sąlyga:** ekrane turi būti parengties režimo rodmuo.

1. Ilgiau nei 2 sekundes palaikykite paspaudę mygtuką „menu/ok“.
    - » Ekrane pasirodo meniu.
  2. Pereikite į meniu „*Sistema > Gamyklinės nuostatos*“.
  3. Rodyklių mygtukais pasirinkite „*Atkurti*“ ir patvirtinkite spausdami „menu/ok“.
- » Ekrane pasirodo parengties režimo rodmuo.

## 7.5 Įrenginio būsenos informacija

Įrenginio būsenos informaciją rasite meniu „Sistema > Statistika“. Kad išeitumėte iš meniu, paspauskite mygtuką „menu/ok“.

Tollesnėje lentelėje pateiktos informacinių pranešimų reikšmės.

Informacija	Reikšmė
<i>Iš viso ruošimų</i>	Nuo įrenginio pirmojo paleidimo paruoštų gėrimų kiekis.
<i>Kalkės pašalintos</i>	Atliktų kalkių šalinimo procedūrų kiekis.
<i>Kavos sistema išvalyta</i>	Atliktų valymų kiekis.
<i>Pieno sistema išvalyta</i>	Atliktų valymų kiekis.
<i>Filtrai pakeistas</i>	Atliktų filtro keitimų kiekis.

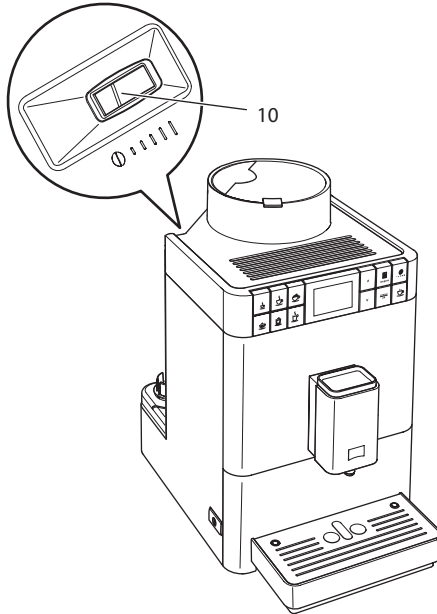
Eigos juostos rodo gėrimų, kuriuos dar galite paruošti skaičių, iki kol reikės išvalyti įrenginį, pašalinti kalkes ar pakeisti filtrą.

### Programinės įrangos versija

Informaciją apie įdiegtos programinės įrangos versiją rasite meniu „Sistema > Programinės įrangos versija“. Kad išeitumėte iš meniu, paspauskite mygtuką „menu/ok“.

## 7.6 Malimo smulkumo nustatymas

Kavos malimo smulkumas turi įtakos kavos skoniui. Malimo smulkumas optimaliai nustatytas gamykloje. Rekomenduojame malimo smulkumą keisti paruošus bent 1 000 gėrimų (maždaug po 1 metų).



Pav. 16: Malimo smulkumo reguliavimo svirtelė

1. Išimkite vandens talpyklą.
  - » Malimo smulkumo reguliavimo svirtelė matoma korpuse (10).
2. Pastumkite svirtelę į kairę arba į dešinę, kaip parodyta Pav. 16.
  - į kairę = bus malama smulkiau
  - į dešinę = bus malama stambiau
3. Įstatykite atgal vandens talpyklą.

### Informacija

- Jei pupeles malate smulkiau, kavos skonis tampa stipresnis.
- Malimo smulkumas yra optimalus, kai kavai bėgant iš piltuvėlio susidaro švelni, tanki kreminė puta.



## 8 Įprastinė ir techninė priežiūra

Reguliari įrenginio įprastinė ir techninė priežiūra užtikrins, kad ruošiami gėrimai nuolat išliks geros kokybės.

### 8.1 Bendrieji valymo darbai

Reguliariai valykite įrenginį. Iš pieno ir kavos pašalinkite išoriškai matomus nešvarumus.

**DĖMESIO**

**Netinkamos valomosios priemonės gali suraižyti paviršius.**

- Nenaudokite šiurkščių šluosčių, kempinių ir valomųjų priemonių.

**Būtina sąlyga:** įrenginys turi būti įjungtas.

- Įrenginio išorę nuvalykite minkšta, drėgna šluoste ir įprastu indų plovikliu.
- Išskalaukite lašų surinktuvą ir kavos tirščių talpyklą. Plaukite minkšta, drėgna šluoste ir įprastu indų plovikliu.
- Pupelių talpyklą nuvalykite minkšta, sausa šluoste.
- Kavos tirščių talpyklą (7), puodelių padėklą (15) ir pieno talpyklą (be dangtelio, pieno žarnelės ir vamzdelio) galite plauti indaplovėje.

### 8.2 Kavos sistemos skalavimas

Skalaujant sistemą išplaunami piltuvėlio antgaliai ir kavos sistemos vidinės dalys. Skalavimo vanduo iš įrenginio vidaus patenka į lašų surinktuvą.

Įjungiant ir išjungiant įrenginį, jis automatiškai išsiskalauja.

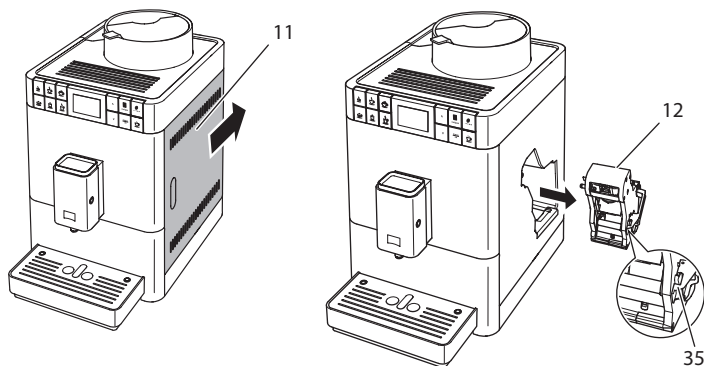
Skalavimą galite įjungti ir rankiniu būdu.

**Būtina sąlyga:** ekrane turi būti parengties režimo rodmuo.

1. Po įrenginio piltuvėliu pastatykite indą.
  2. Ilgiau nei 2 sekundes palaikykite paspaudę mygtuką „menu/ok“.
    - » Ekrane pasirodo meniu.
  3. Pereikite į meniu „Priežiūra > Skalavimas“.
    - » Įrenginys automatiškai išsiskalauja.
- » Ekrane pasirodo parengties režimo rodmuo.

### 8.3 Plikymo bloko išėmimas ir valymas

Kad apsaugotumėte gaminį, rekomenduojame kartą per savaitę išvalyti plikymo bloką.

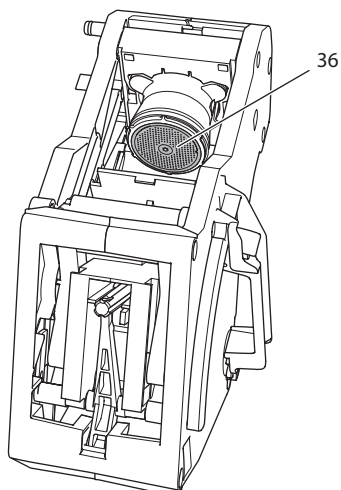


Pav. 17: Plikymo bloko išėmimas

Būtina sąlyga: įrenginys turi būti įjungtas.

1. Atverkite gaubtą (11). Tam paimkite už įdubos dešinėje įrenginio pusėje ir pastumkite gaubtą atgal. Nuimkite gaubtą.
2. Paspauskite ir palaikykite paspaudę raudoną svirtelę (35) ant plikymo bloko (12) rankenos ir pasukite rankeną laikrodžio rodyklės kryptimi iki galo, kol ji užsifiksuos.

3. Paėmę už rankenos ištraukite plikymo bloką iš įrenginio.



Pav. 18: Plikymo bloko valymas

4. Visą plikymo bloką iš visų pusių gerai nuplaukite tekančiu vandeniu.
  - » Plikymo blokas ir sietelis (36) išvalyti nuo kavos likučių.
5. Palaukite, kol plikymo blokas nudžius.
6. Minkšta ir sausa šluoste išvalykite iš įrenginio vidaus kavos likučius.
7. Įstatykite plikymo bloką į įrenginį. Paspauskite ir palaikykite paspaudę raudoną svirtelę ant plikymo bloko rankenos ir pasukite rankeną prieš laikrodžio rodyklę iki galo, kol ji užsifiksuos.
8. Užverkite gaubtą. Tam įstatykite gaubtą į įrenginį ir pastumkite jį pirmyn, kol užsifiksuos.

## 8.4 Programos „Easy Cleaning“ naudojimas

Valymo programa „Easy Cleaning“ leidžia išplauti pieno sistemą.

Kiekvieną kartą paruošus gėrimą su pienu, įrenginys pareikalauja paleisti valymo programą „Easy Cleaning“.

Valymo programą „Easy Cleaning“ galite įjungti ir rankiniu būdu.

**Būtina sąlyga:** ekrane turi būti parengties režimo rodmuo.

1. Po įrenginio piltuvėliu pastatykite indą.
2. Ilgiau nei 2 sekundes palaikykite paspaudę mygtuką „menu/ok“.
  - » Ekrane pasirodo meniu.

3. Pereikite į meniu „Priežiūra > Easy Cleaning“.
  4. Rodyklių mygtukais pasirinkite „Pradėti“ ir patvirtinkite spausdami „menu/ok“.
  5. Kol pasibaigs valymo programa „Easy Cleaning“, sekite kitas ekrane pateikiamas instrukcijas.
- » Ekrane pasirodo parengties režimo rodmuo.

## 8.5 Programos „Pieno sistemos valymas“ naudojimas

Pieno sistemai valyti reikalingas pieno sistemos valiklis.

Kad įrenginys nebūtų pažeistas ir išliktų higieniškas, rekomenduojame kartą per savaitę paleisti valymo programą.

Valymo programa tęsiasi maždaug 3 minučių ir neturėtų būti nutraukta.

### DĖMESIO

**Dėl netinkamų pieno sistemos valiklių naudojimo ir naudojimo reikalavimų nesilaikymo įrenginys gali būti pažeistas.**

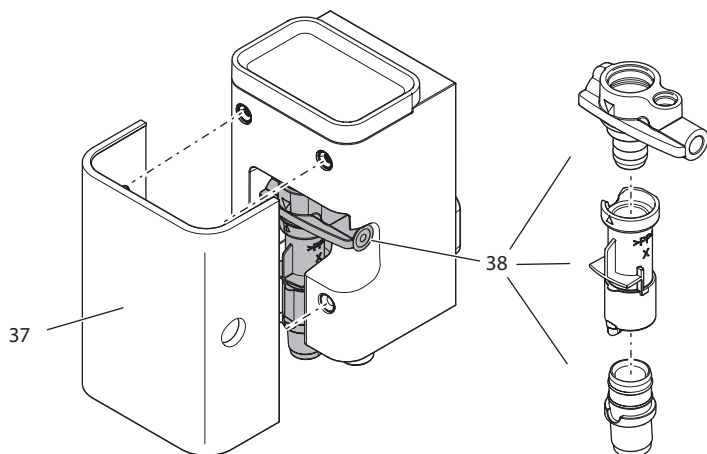
- Naudokite tik „Melitta®“ pieno sistemos valiklį „PERFECT CLEAN“, skirtą visiškai automatiniam kavos aparatams.
- Laikykitės ant pieno sistemos valiklio pakuotės pateiktą nuorodų, dėl jo naudojimo.

**Būtina sąlyga:** ekrane turi būti parengties režimo rodmuo.

1. Po piltuvėliu pastatykite bent 0,7 litro talpos kavos tirščių talpyklą (7) arba indą.
  2. Ilgiau nei 2 sekundes palaikykite paspaudę mygtuką „menu/ok“.
    - » Ekrane pasirodo meniu.
  3. Pereikite į meniu „Priežiūra > Pieno sistemos valymas“.
  4. Rodyklių mygtukais pasirinkite „Pradėti“ ir patvirtinkite spausdami „menu/ok“.
  5. Kol pasibaigs valymo programa, sekite kitas ekrane pateikiamas instrukcijas.
- » Ekrane pasirodo parengties režimo rodmuo.

## Pieno bloko valymas

Be to, rekomenduojame reguliariai valyti pieno bloką, pieno žarnelę ir pieno talpyklą (priklausomai nuo modelio).



Pav. 19: Pieno bloko išmontavimas

Kad išmontuotumėte pieno bloką, atlikite šiuos veiksmus:

**Būtina sąlyga:** pieno žarnelė turi būti atjungta nuo įrenginio.

1. Nutraukite pirmyn gaubtą (37) nuo piltuvėlio.
2. Paspauskite žemyn pieno bloką (38) ir išimkite jį.
3. Kaip pavaizduota viršuje, išardykite pieno bloką į tris dalis.
4. Visas dalis išplaukite šiltu vandeniu. Plaukite pridėtu šepėčiu, drėgna šluoste ir įprastu indų plovikliu.

Surinkimas atliekamas atvirkščia tvarka.

## 8.6 Programos „Kavos sistemos valymas“ naudojimas

Taikant programą „Kavos sistemos valymas“ visiškai automatinų kavos aparatų valikliu iš sistemos pašalinami riebaliniai kavos likučiai ir nuosėdos.

Kad įrenginys nebūtų pažeistas, rekomenduojame paleisti valymo programą kas 2 mėnesius arba įrenginiui pareikalavus.

Valymo programa tęsiasi maždaug 10 minučių ir neturėtų būti nutraukta.

### ⚠️ ATSARGIAI

**Dėl sąlyčio su visiškai automatinų kavos aparatų valikliu galimas akių ir odos dirginimas.**

- Laikykites ant visiškai automatinų kavos aparatų valiklio pakuotės pateiktų nuorodų, dėl jo naudojimo.

**DĖMESIO**

**Dėl netinkamų visiškai automatinių kavos aparatų valiklių naudojimo įrenginys gali būti pažeistas.**

- Naudokite tik „Melitta®“ valomąsias tabletes „PERFECT CLEAN“, skirtas visiškai automatiniams kavos aparatams.

**Būtina sąlyga:** ekrane turi būti parengties režimo rodmuo.

1. Ilgiau nei 2 sekundes palaikykite paspaudę mygtuką „menu/ok“.
  - » Ekrane pasirodo meniu.
2. Pereikite į meniu „Priežiūra > Kavos sistemos valymas“.
3. Rodyklių mygtukais pasirinkite „Pradėti“ ir patvirtinkite spausdami „menu/ok“.
4. Kol pasibaigs valymo programa, sekite kitas ekrane pateikiamas instrukcijas.
  - » Ekrane pasirodo parengties režimo rodmuo.

## 8.7 Programos „Kalkių šalinimas“ naudojimas

Paleidus kalkių šalinimo programą visiškai automatinių kavos aparatų kalkių valikliu iš įrenginio vidaus pašalinamos kalkių nuosėdos.

Kad įrenginys nebūtų pažeistas, rekomenduojame paleisti kalkių šalinimo programą kas 3 mėnesius arba įrenginiui pareikalavus.

Kalkių šalinimo programa tęsiasi maždaug 25 minutes ir neturėtų būti nutraukta.

**⚠ ATSAUGIAI**

**Dėl sąlyčio su visiškai automatinių kavos aparatų kalkių valikliu galimas akių ir odos dirginimas.**

- Laikykitės ant visiškai automatinių kavos aparatų kalkių valiklio pakuotės pateiktų nuorodų, dėl jo naudojimo.

**DĖMESIO**

**Dėl netinkamų kalkių valiklių naudojimo ir naudojimo reikalavimų nesilaikymo įrenginys gali būti pažeistas.**

- Naudokite tik „Melitta®“ skystą kalkių valiklį „ANTI CALC“, skirtą visiškai automatiniams kavos aparatams.
- Laikykitės ant kalkių valiklio pakuotės pateiktų nuorodų, dėl jo naudojimo.

**DĖMESIO**

**Vykstant kalkių šalinimo programai gali būti pažeistas įsuktas vandens filtras.**

- Išimkite vandens filtrą, jei įrenginys to pareikalaus.
- Vykstant kalkių šalinimo programai įdėkite vandens filtrą į indą su vandentiekio vandeniu.
- Pasibaigus valymo programai, vandens filtrą galite įstatyti atgal ir naudoti toliau.

**Būtina sąlyga:** ekrane turi būti parengties režimo rodmuo.

1. Ilgiau nei 2 sekundes palaikykite paspaudę mygtuką „menu/ok“.  
» Ekrane pasirodo meniu.
  2. Pereikite į meniu „Priežiūra > Kalkių šalinimas“.
  3. Rodyklių mygtukais pasirinkite „Pradėti“ ir patvirtinkite spausdami „menu/ok“.
  4. Kol pasibaigs kalkių šalinimo programa, sekite kitas ekrane pateikiamas instrukcijas.
- » Ekrane pasirodo parengties režimo rodmuo.

## 8.8 Vandens kietumo nustatymas

Vandens kietumo nuostatos lemia, kaip dažnai įrenginys reikalaus pašalinti kalkes. Kuo vanduo kietesnis, tuo dažniau reikia šalinti kalkes iš įrenginio.

### Informacija

Jei naudojate vandens filtrą, vandens kietumo nustatyti negalite. Automatiškai nustatyta vandens kietumo reikšmė „1“ = *minkštas vanduo* (žr. skyrių 8.9 *Vandens filtro naudojimas* 613 psl.).

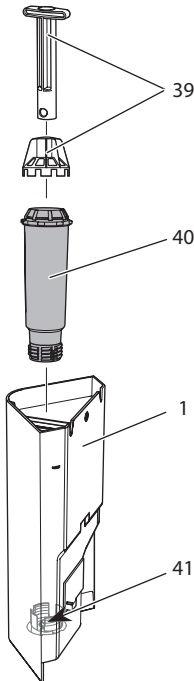
Vandens kietumą tikrinkite pridėta bandymo juostele. Laikykitės lentelėje ant bandymo juostelės pakuotės pateiktą reikalavimų *Vandens kietumo sritis* 617 psl..

**Būtina sąlyga:** ekrane turi būti parengties režimo rodmuo.

1. Ilgiau nei 2 sekundes palaikykite paspaudę mygtuką „menu/ok“.  
» Ekrane pasirodo meniu.
  2. Rodyklių mygtukais pereikite į meniu „Vandens kietumas“.
  3. Rodyklių mygtukais pasirinkite vandens kietumo sritį ir patvirtinkite spausdami „menu/ok“.
  4. Pasirinkite komandą „Išeiti“, kad išeitumėte iš meniu.
- » Ekrane pasirodo parengties režimo rodmuo.

## 8.9 Vandens filtro naudojimas

Jei naudosite vandens filtrą, pailginsite įrenginio naudojimo trukmę ir turėsite rečiau šalinti kalkes. Kartu su įrenginiu pateiktas vandens filtras šalina iš vandens kalkes ir kitas kenksmingas medžiagas.



Pav.20: Vandens filtro įsukimas ir išsukimas

Vandens filtras (40) pagalbinio įrankiu (39) įsukamas į sriegį (41) vandens talpyklos (1) apačioje.

### Vandens filtro įdėjimas

#### **i** Informacija

Prieš montuodami vandens filtrą, kelioms minutėms įdėkite jį į indą su vandentiekio vandeniu.

**Būtina sąlyga:** ekrane turi būti parengties režimo rodmuo.

1. Ilgiau nei 2 sekundes palaikykite paspaudę mygtuką „menu/ok“.
  - » Ekrane pasirodo meniu.
2. Pereikite į meniu „Priežiūra > Filtras > Įdėti filtrą“.



3. Rodyklių mygtukais pasirinkite „Pradėti“ ir patvirtinkite spausdami „menu/ok“.
4. Sekite kitas ekrane pateikiamas instrukcijas.
  - » Automatiškai nustatyta vandens kietumo reikšmė „minkštas“.
  - » Ekrane pasirodo parengties režimo rodmuo.

### Vandens filtro keitimas

Pakeiskite vandens filtrą, jei įrenginys to pareikalaus.

**Būtina sąlyga:** ekrane turi būti parengties režimo rodmuo.

1. Ilgiau nei 2 sekundes palaikykite paspaudę mygtuką „menu/ok“.
  - » Ekrane pasirodo meniu.
2. Pereikite į meniu „Priežiūra > Filtras > Keisti filtrą“.
3. Rodyklių mygtukais pasirinkite „Pradėti“ ir patvirtinkite spausdami „menu/ok“.
4. Sekite kitas ekrane pateikiamas instrukcijas.
  - » Ekrane pasirodo parengties režimo rodmuo.

### Vandens filtro išėmimas

Vandens filtras neturėtų ilgą laiką būti sausas. Ilgesnį laiką nenaudojamą vandens filtrą rekomenduojame laikyti šaldytuve, įdėtą į indą su vandentiekio vandeniu.

Vandens filtro išėmimas:

**Būtina sąlyga:** ekrane turi būti parengties režimo rodmuo.

1. Ilgiau nei 2 sekundes palaikykite paspaudę mygtuką „menu/ok“.
  - » Ekrane pasirodo meniu.
2. Pereikite į meniu „Priežiūra > Filtras > Išimti filtrą“.
3. Rodyklių mygtukais pasirinkite „Pradėti“ ir patvirtinkite spausdami „menu/ok“.
4. Sekite kitas ekrane pateikiamas instrukcijas.
  - » Atstatoma ankstesnė vandens kietumo reikšmė.
  - » Ekrane pasirodo parengties režimo rodmuo.
5. Jei reikia, iš naujo nustatykite vandens kietumą (žr. skyrių 8.8 *Vandens kietumo nustatymas* 612 psl.).

## 9 Triktyš

Jei toliau nurodytomis priemonėmis nepavyksta pašalinti trikčių arba atsiranda čia neaprašytų trikčių, kreipkitės į mūsų telefoninę pagalbos liniją (taikomi vietos tarifai).

Telefono numerį rasite už šoninio gaubto (11) arba mūsų interneto svetainės skiltyje „Aptarnavimas“.

<b>Triktyš</b>	<b>Priežastis</b>	<b>Šalinimas</b>
Kava nebėga, o tik laša iš piltuvėlio.	Per smulkus malimas.	<ul style="list-style-type: none"> <li>▪ Malkite pupeles stambiau (žr. skyrių 7.6 605 psl.).</li> </ul>
	Įrenginys užsiteršęs.	<ul style="list-style-type: none"> <li>▪ Išvalykite plikymo bloką (žr. skyrių 8.3 607 psl.).</li> <li>▪ Paleiskite valymo programą (žr. skyrių 8.6 610 psl.).</li> </ul>
	Įrenginys užkalkėjęs.	<ul style="list-style-type: none"> <li>▪ Pašalinkite iš įrenginio kalkes (žr. skyrių 8.7 611 psl.).</li> </ul>
Nebėga kava.	Nepripildyta arba neįdėta vandens talpykla.	<ul style="list-style-type: none"> <li>▪ Pripildykite vandens talpyklą ir patikrinkite, ar ji tinkamai įdėta (žr. skyrių 4.5 590 psl.).</li> </ul>
	Užsikišęs plikymo blokas.	<ul style="list-style-type: none"> <li>▪ Išvalykite plikymo bloką (žr. skyrių 8.3 607 psl.).</li> </ul>
Ekrane rodomas pranešimas „ <i>Įpilkite pupelių</i> “, nors pupelių talpykla pripildyta.	Kavos pupelės nepatenka į malūnėlį.	<ul style="list-style-type: none"> <li>▪ Paspauskite gėrimo ruošimo mygtuką.</li> <li>▪ Lengvai papurtykite pupelių talpyklą.</li> <li>▪ Išvalykite pupelių talpyklą.</li> <li>▪ Per riebios kavos pupelės. Naudokite kitas kavos pupeles.</li> </ul>
Malūnėlis skleidžia stiprų triukšmą.	Malūnėlyje yra pašalinių daiktų.	<ul style="list-style-type: none"> <li>▪ Kreipkitės į mūsų telefoninę pagalbos liniją.</li> </ul>
Išėjus nebepavyksta įstatyti plikymo bloko.	Plikymo bloko fiksavimo rankena yra netinkamoje padėtyje.	<ul style="list-style-type: none"> <li>▪ Patikrinkite, ar tinkamai užsifiksavo plikymo bloko rankena (žr. skyrių 8.3 607 psl.).</li> </ul>
	Variklis yra netinkamoje padėtyje.	<ul style="list-style-type: none"> <li>▪ Paspauskite ir palaikykite paspaudę kavos stiprumo mygtuką. Papildomai paspauskite pagrindinį jungiklį. Įrenginys inicializuojamas. Atleiskite mygtukus.</li> </ul>
Ekrane rodomas pranešimas „ <i>Sistemos klaida</i> “.	Programinės įrangos triktis.	<ul style="list-style-type: none"> <li>▪ Išjunkite ir vėl įjunkite įrenginį (žr. skyrių 4.1 586 psl.).</li> <li>▪ Kreipkitės į mūsų telefoninę pagalbos liniją.</li> </ul>

## 10 Transportavimas, laikymas ir atliekų tvarkymas

### 10.1 Įrenginio išgarinimas

Jei planuojate ilgesnį laiką nenaudoti įrenginio, jį transportuoti arba kyla užšalimo pavojus, rekomenduojame įrenginį išgarinti.

Išgarinant iš įrenginio pašalinamas vandens likutis.

**Būtina sąlyga:** ekrane turi būti parengties režimo rodmuo.

1. Po įrenginio piltuvėliu pastatykite indą.
2. Ilgiau nei 2 sekundes palaikykite paspaudę mygtuką „menu/ok“.
  - » Ekrane pasirodo meniu.
3. Pereikite į meniu „Sistema > Išgarinti“.
4. Rodyklių mygtukais pasirinkite „Pradėti“ ir patvirtinkite spausdami „menu/ok“.
5. Sekite kitas ekrane pateikiamas instrukcijas.
  - » Įrenginys išsijungia.

### 10.2 Įrenginio transportavimas

#### DĖMESIO

**Užšalęs vanduo gali pažeisti įrenginį.**

- Užtikrinkite, kad įrenginys nebūtų žemesnės nei 0 °C temperatūros aplinkoje.

#### Informacija

Įrenginį transportuokite originalioje pakuotėje. Šitaip apsaugosite įrenginį nuo pažeidimo transportuojant.

Prieš transportuodami įrenginį, imkitės šių veiksmų:

1. Išgarinkite įrenginį (žr. skyrių 10.1 *Įrenginio išgarinimas* 616 psl.).
2. Ištuštinkite lašų surinktuvą ir kavos tirščių talpyklą.
3. Ištuštinkite vandens talpyklą.
4. Ištuštinkite pupelių talpyklą.
5. Išvalykite įrenginį (žr. skyrių 8.1 *Bendrieji valymo darbai* 606 psl.).
6. Tinkama lipniąja juosta pritvirtinkite palaidas dalis (puodelių padėklą ir pan.).
7. Supakuokite įrenginį.

### 10.3 Įrenginio atliekų tvarkymas



Šiuo ženklu pažymėtiems įrenginiams taikomi Direktyvos 2002/96/EB dėl elektros ir elektroninės įrangos atliekų reikalavimai (angl. Waste Electrical and Electronic Equipment, WEEE).

Elektros įrenginiai negali būti šalinami su buitinėmis atliekomis.

- Įrenginio atliekas tvarkykite tausodami aplinką ir perduokite jas į tinkamą atliekų surinkimo punktą.

## 11 Techniniai duomenys

Techniniai duomenys	
Darbinė įtampa	nuo 220 V iki 240 V, 50 Hz
Imamoji galia	iki 1450 W
Siurblio slėgis	statis, iki 15 bar
Matmenys	
Plotis	253 mm
Aukštis	390 mm
Gylis	380 mm
Talpa	
Pupelių talpykla	125 g
Vandens talpykla	1,2 l
Vieno gėrimo kiekis	nuo 25 ml iki 220 ml
Masė (tuščio įrenginio)	8,3 kg
Aplinkos sąlygos	
Temperatūra	nuo 10 °C iki 32 °C
Santykinė oro drėgmė	nuo 30 % iki 80 % (nesikondensuoja)

Vandens kietumo sritis	°d	°e	°f
Minkštas	nuo 0 iki 10	nuo 0 iki 13	nuo 0 iki 18
Vidutinis	nuo 10 iki 15	nuo 13 iki 19	nuo 18 iki 27
Kietas	nuo 15 iki 20	nuo 19 iki 25	nuo 27 iki 36
Labai kietas	>20	>25	>36

Gamyklinės nuostatos		
Espresas	Gėrimo kiekis	40 ml
	Kavos stiprumas	Stipri
	Plikymo temperatūra	Vidutinis
Juoda kava	Gėrimo kiekis	120 ml
	Kavos stiprumas	Stipri
	Plikymo temperatūra	Vidutinis
Kapučinas	Gėrimo kiekis	130 ml
	Kavos stiprumas	Stipri
	Plikymo temperatūra	Vidutinis
Makiatas	Gėrimo kiekis	190 ml
	Kavos stiprumas	Stipri
	Plikymo temperatūra	Vidutinis
Pienas	Putos kiekis	180 ml
	Pieno kiekis	180 ml
Karštas vanduo	Gėrimo kiekis	180 ml

# Sisukord

<b>1</b>	<b>Teie ohutuse tagamiseks .....</b>	<b>621</b>
1.1	Õige kasutamine .....	621
1.2	Elektrilöögi oht .....	622
1.3	Põletuste ja kõrvetuste oht .....	622
1.4	Üldine informatsioon ohutuse kohta .....	623
<b>2</b>	<b>Seadme ülevaade .....</b>	<b>624</b>
2.1	Seadme ülevaade .....	624
2.2	Juhtpaneeli ülevaade .....	626
<b>3</b>	<b>Esimesed sammud .....</b>	<b>627</b>
3.1	Seadme lahti pakkimine .....	627
3.2	Pakendi sisu kontrollimine .....	627
3.3	Seadme paigaldamine .....	628
3.4	Seadme ühendamine .....	628
3.5	Seadme esmakordne käivitamine .....	628
<b>4</b>	<b>Üldine töötamine .....</b>	<b>630</b>
4.1	Seadme sisse- ja väljalülitamine .....	630
4.2	Juhtpaneeli kasutamine .....	631
4.3	Menüüs navigeerimine .....	631
4.4	Ubademahuti täitmine kohviubadega .....	633
4.5	Veemahuti täitmine .....	634
4.6	Tila reguleerimine .....	635
4.7	Piima kasutamine .....	636
4.8	Tilkumisaluse ja kohvipaksu mahuti tühjendamine .....	638
<b>5</b>	<b>Jookide valmistamine .....</b>	<b>639</b>
5.1	Espresso või Café Crème valmistamine .....	639
5.2	Cappuccino valmistamine .....	640
5.3	Latte Macchiato valmistamine .....	640
5.4	Piimavahu või sooja piima valmistamine .....	641
5.5	Kuuma vee valmistamine .....	641
5.6	Retsepti järgi erijookide valmistamine .....	641
5.7	Joogi seadistuste muutmine enne valmistamist ja valmistamise ajal .....	643
5.8	Joogi valmistamise peatamine .....	643
5.9	Kahe kohvi valmistamine samaaegselt .....	644
<b>6</b>	<b>Jookide seadistuste püsiv muutmine .....</b>	<b>645</b>
6.1	Põhiseadistuste muutmine .....	645

<b>7</b>	<b>Põhiseadistuste muutmine.....</b>	<b>646</b>
7.1	Keele seadistamine .....	646
7.2	Automaatse väljalülitamise seadistamine .....	646
7.3	Energiasäästlikkus režiimi seadistamine .....	647
7.4	Tehaseadistuste taastamine .....	647
7.5	Teave seadme oleku kohta .....	648
7.6	Jahvatusastme seadmine.....	649
<b>8</b>	<b>Tehniline hooldus ja korrashoid.....</b>	<b>650</b>
8.1	Üldine puhastamine .....	650
8.2	Kohvisüsteemi puhastamine .....	650
8.3	Kohvivalmistamissüsteemi eemaldamine ja puhastamine .....	651
8.4	Kerge puhastusprogrammi kasutamine.....	653
8.5	Piimasüsteemi puhastamisprogrammi kasutamine .....	653
8.6	Kohvisüsteemi puhastamisprogrammi kasutamine .....	654
8.7	Katlakivieemaldusprogrammi kasutamine .....	655
8.8	Vee kareduse seadistamine.....	656
8.9	Veefiltrit kasutamine .....	657
<b>9</b>	<b>Probleemid .....</b>	<b>659</b>
<b>10</b>	<b>Transportimine, hoiustamine ja kasutusest kõrvaldamine .....</b>	<b>660</b>
10.1	Vee väljastamine seadmest auruga.....	660
10.2	Seadme transportimine.....	660
10.3	Seadme kasutusest kõrvaldamine.....	661
<b>11</b>	<b>Tehnilised andmed.....</b>	<b>661</b>

## Lugupeetud kasutaja!

Täname teid täisautomaatse kohvimasina Melitta® Passione® OT ostu eest.

Kasutusjuhend aitab teil avastada seadme mitmekülgseid võimalusi ning saada kohvist maksimaalset naudingut.

Lugege kasutusjuhised hoollega läbi. See aitab vältida isiku- ja varakahjusid. Hoiustage kasutusjuhised hoollega. Kui annate seadme kellelegi edasi, andke juhised seadmega kaasa.

Melitta ei võta vastutust kahjude eest, mis on tekkinud seoses kasutusjuhiste täitmata jätmisega.

Kui soovite saada täiendavat infot või teil on küsimusi aparaadi kohta, võtke ühendust firmaga Melitta või külastage meid Internetis:  
[www.international.melitta.de](http://www.international.melitta.de)

Loodame, et naudite oma seadme kasutamist.

## 1 Teie ohutuse tagamiseks

**CE** Aparaat on kooskõlas kehtivate Euroopa direktiivide nõuetega ja vastab kaasaegse tehnika tasemele. Sellest hoolimata võivad teatud ohud alles olla.

Ohtude vältimiseks järgige ohutusjuhiseid täpselt. Melitta ei võta vastutust kahjude eest, mis on tekkinud seoses ohutusjuhiste täitmata jätmisega.

### 1.1 Õige kasutamine

Seadet kasutatakse kohviubadest jookide valmistamiseks ning piima ja vee soojendamiseks.

Seade on mõeldud kasutamiseks eramajapidamistes.

Muu kasutamine loetakse valeks ning võib endaga kaasa tuua isiku- või varakahjusid. Melitta ei võta vastutust kahjude eest, mis on tekkinud seadme vale kasutamise tagajärjel.



## 1.2 Elektrilöögi oht

Kui seadme toitejuhe on kahjustatud, võib olla eluohtliku elektrilöögi oht.

Järgige alltoodud ohutusjuhiseid, et elektrivoolust tekki-  
vaid ohte vältida:

- Ärge kasutage kahjustatud toitejuhet.
- Kahjustatud toitejuhet võib asendada vaid tootja, tema klienditeenindus või hoolduspartner.
- Ärge avage seadme korpuse külge tugevasti kruvitud katteid.
- Kasutage seadet vaid siis, kui see on tehniliselt ideaal-  
ses korras.
- Vigane seade tuleb viia volitatud töökotta. Ärge  
remontige seadet ise.
- Ärge üritage seadet, selle osi ega lisasid muuta mingil  
moel.
- Ärge asetage seadet vette.
- Toitejuhe ei tohi veega kokku puutuda.

## 1.3 Põletuste ja kõrvetuste oht

Seadmest välja tulevad vedelikud ja aurud võivad olla  
väga kuumad. Samuti võivad seadme osad muutuda  
väga kuumaks.

Järgige alltoodud ohutusjuhiseid, et vältida põletuste ja  
kõrvetuste ohtu:

- Vältige välja tuleva vedeliku ja auru kokkupuudet  
nahaga.
- Ärge puudutage tila otsi ega aurutoru joogi väljasta-  
mise ajal või kohe selle järgselt. Oodake, kuni osad on  
jahtunud.

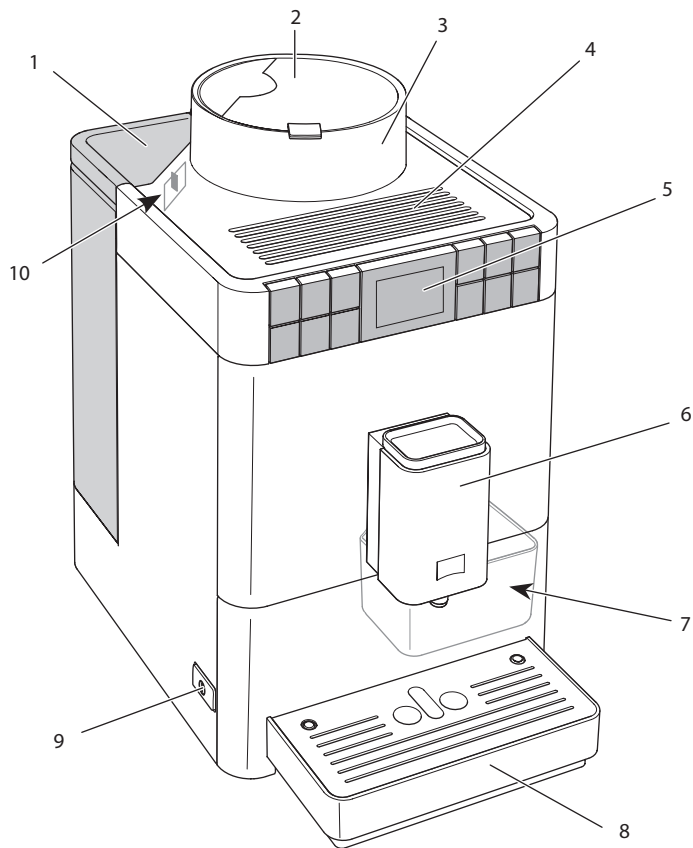
## 1.4 Üldine informatsioon ohutuse kohta

Järgige alltoodud ohutusjuhiseid, et vältida isiku- ja varakahjusid:

- Aparaat ei tohi üles panna kappi või muusse sarnasse kohta.
- Ärge üritage katsuda seadme sisemust, kui seade töötab.
- Hoidke seade ja toitejuhe alla 8-aastastele lastele kättesaamatus kohas.
- Alla 8-aastased lapsed ja füüsiliste, sensoorsete või vaimsete taandarengute ning väheste kogemuste või teadmistega isikud võivad seadet kasutada, kui neid on seadet vastavalt kasutama õpetatud ning nad mõistavad kaasnevaid riske.
- Lapsed ei tohiks seadmega mängida. Alla 8-aastased lapsed ei tohi seadet puhastada ega hooldada. Üle 8-aastaste laste üle tuleb puhastamise ja hoolduse ajal järelevalvet pidada.
- Kui seadet ei kasutata, tuleb see toiteallikast lahti ühendada.
- Aparaat ei tohi kasutada piirkonnas, kus kõrgus merepinnast on üle 2000 m.
- Aparaadid ja selle osade puhastamisel pidage kinni peatükis (*Tehniline hooldus ja korrashoid lk 650*) antud juhistest.

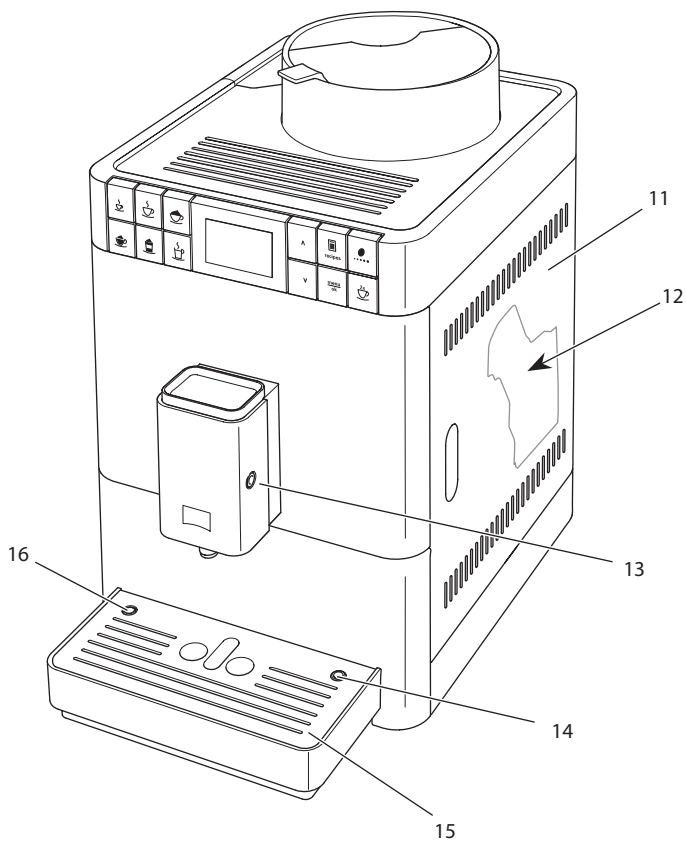
## 2 Seadme ülevaade

### 2.1 Seadme ülevaade



Joon 1: Seadme vaade vasakpoolsest esiküljest

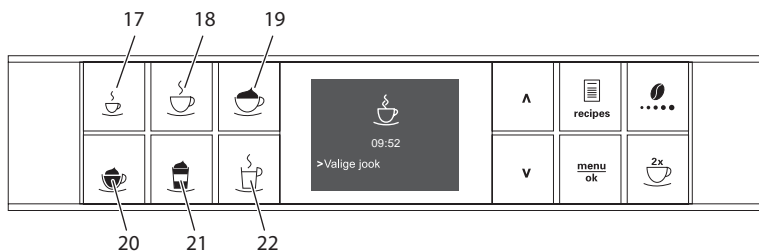
- |   |                  |    |   |
|---|------------------|----|---|
| 1 | Veepaak kaanega  | 6  | Reguleeritava kõrgusega tila koos 2 kohvi otsiku, 1 piimaotsiku, 1 kuumade vee otsiku, tassi valgustiga |
| 2 | Ubademahuti kaas | 7  | Kohvipaksusahtel (sisemine)   |
| 3 | Ubade mahuti     | 8  | Tilkumisalus  |
| 4 | Tassirest        | 9  | „SISSE/VÄLJA“ nupp  |
| 5 | Juhtpaneel       | 10 | Kang „Jahvatusastme reguleerimiseks“ (sisemine)   |



Joon 2: Seadme vaade parempoolsest esiküljelt

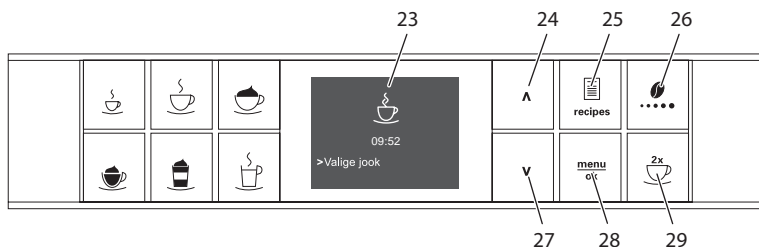
- |                                       |  |
|---------------------------------------|--|
| 11 Kaas                               | 14 Piimavooliku ühendus tilkumisalusel |
| 12 Kohvivalmistamissüsteem (sisemine) | 15 Tassialus                           |
| 13 Piimvooliku ühendus tila juures    | 16 Ujuk                                |

## 2.2 Juhtpaneeli ülevaade



Joon 3: Kiirklahvid

Pos.	Nimetus	Otstarve
17	Espresso	Espresso valmistamine
18	Café Crème	Café Crème valmistamine
19	Cappuccino	Cappuccino valmistamine
20	Piimavaht/soe piim	Piimavahu ja sooja piima valmistamine
21	Latte Macchiato	Latte Macchiato valmistamine
22	Kuum vesi	Kuuma vee valmistamine



Joon 4: Ekraan ja klahvid

Pos.	Nimetus	Otstarve
23	Ekraan	hetkemenüüde või teadete kuvamiseks Näide: kasutamiseks valmisoleku näit
24	Noolenupud üles	Menüüs üles liikumiseks, või koguse suurendamiseks
25	Retseptid	Retseptide valimine ja valmistamine
26	Kohvi kangus	Kohvi kanguse seadmine
27	Noolenupud alla	Menüüs alla liikumiseks, või koguse vähendamiseks
28	menu/ok	Menüü kuvamiseks või valiku kinnitamiseks
29	Kaks tassi	Kahe tassi väljastamine

## 3 Esimesed sammud

Peatükk kirjeldab, kuidas oma seade töötamiseks valmis seada.

### 3.1 Seadme lahti pakkimine

Lisaks seadmele on pakendis ka lisad, nagu puhastusvahendid.

#### HOIATUS

**Kokkupuude puhastusvahenditega võib põhjustada silma- ja nahaärritust.**

- Hoidke kaasasolevad puhastusvahendid lastele kättesaamatus kohas.
- Võtke seade pakendist välja. Eemaldage seadmelt pakkematerjal, kleepuvad ribad ning kaitsvad kiled.
- Jätke pakend alles transportimiseks ja võimalikuks tagastamiseks.

#### Teave

Seadmes võib leiduda kohvi- ja veejälgi. Seadet on tehases testitud, veendumaks, et see töötab korrektselt.

### 3.2 Pakendi sisu kontrollimine

Kontrollige alltoodud nimekirja alusel, et kõik osad on olemas. Kui osadid on puudu, võtke ühendust oma edasimüüjaga.

- Piimanõu, lühikese voolikuga
- Pikk piimavoolik,
- Puhastushari,
- Testiriba vee kareduse kontrollimiseks

### 3.3 Seadme paigaldamine

Järgige alltoodud juhiseid:

- Ärge paigaldage seadet niiskesse ruumi.
- Paigaldage seade kindlale, tasasele ja kuivale pinnale.
- Ärge paigaldage seadet kraanikausi või muu taolise lähedusse.
- Ärge paigaldage seadet kuumale pinnale.
- Paigaldage seade seinast ja muudest esemetest piisavalt kaugemale (umbes 10 cm). Seadme kohal peaks olema ruumi vähemalt 20 cm.
- Toitejuhe tuleb vedada nii, et seda ei rikuks servad ega kuumad pinnad.

### 3.4 Seadme ühendamine

Järgige alltoodud juhiseid:

- Veenduge, et toiteallika pinge vastab tehnilistes andmetes toodud tööpingele (vt tabelit *Tehnilised andmed* lk 661).
- ühendage aparaat ainult nõuetekohaselt paigaldatud kaitsekontaktiga pistikupesaga Kui kahtlete, konsulteerige elektrikuga.
- Maanduskontaktiga pistikupesal peab olema vähemalt 10 A kaitse.

### 3.5 Seadme esmakordne käivitamine

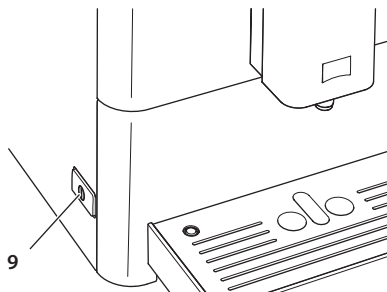
Seadme esimest korda käivitamisel saab seadistada keelt, aega ja vee karedust. Neid seadeid saab muuta ka hiljem (vt ptk 7 *Põhiseadistuste muutmine* lk 646 ja ptk 8.8 *Vee kareduse seadistamine* lk 656).

Vee kareduse kontrollimiseks kasutage komplektis olevaid testiribasid.

Järgige juhiseid testiriba pakendil ja vaadake tabelit *Vee kareduse vahemik* lk 661.

 Teave

- Soovitame kaks tassitäit pärast esmast käivitust ära valada.
- Kui tahate kasutada veefiltrit, sisestage see alles pärast esmast käivitust.



Joon 5: „SISSE/VÄLJA“ nupp

**Eeldus:** aparaat on üles seatud ja ühendatud.

1. Asetage tila alla anum.
2. Vajutage „SISSE/VÄLJA“ nuppu.
  - » Ekraanile ilmub tervitustekst.
  - » Ekraanile kuvatakse teade aparaadi seadistamiseks: *Please Setup the machine.*
3. Kinnitage klahviga „menu/ok“.
  - » Ekraanile kuvatakse menüü *Language* (Keel).
4. Valige nooleklahvidega oma keel. Kinnitage klahviga „menu/ok“.
  - » Ekraanile kuvatakse menüü *Vee karedus*.
5. Valige nooleklahvidega õige vee kareduse vahemik või kinnitage klahviga „menu/ok“.
  - » Ekraanile kuvatakse *Täitke veepaak ja pange sisse*.
6. Eemaldage veepaak. Loputage veepaak puhta veega. Täitke veepaak puhta veega ning sisestage see.
  - » Seade soojeneb ning teostab automaatse loputuse.
  - » Ekraanile ilmub „valmis“ sümbol.
7. Täitke ubade mahuti kohviubadega. Selleks lugege ptk 4.4 *Ubademahuti täitmine kohviubadega lk 633*.
  - » Kui vaja, võib nüüd sisestada veefiltrit (vt ptk 8.9 *Veefiltrit kasutamine lk 657*).



## 4 Üldine töötamine

See peatükk kirjeldab seadme igapäevase kasutamisega seotud üldisi juhiseid.

### 4.1 Seadme sisse- ja väljalülitamine

Enne sisselülitamist, kui võtate seadme esimest korda kasutusele, lugege ptk 3.5 *Seadme esmakordne käivitamine* lk 628.

#### Teave

- Seade teostab automaatse loputuse, kui see lülitatakse sisse või välja.
- Loputuse ajal koguneb vett ka tilkumislausele.

#### Seadme sisselülitamine

1. Asetage tila alla anum.
2. Vajutage „SISSE/VÄLJA“ nuppu (9).
  - » Ekraanile kuvatakse tervituskuva.
  - » Seade soojeneb ning teostab automaatse loputuse.
- » Ekraanile ilmub „valmis“ sümbol.

#### Teave

Kui seade oli välja lülitatud vaid lühikeseks ajaks, ei toimu automaatset loputust pärast sisselülitust.

#### Seadme väljalülitamine

1. Asetage tila alla anum.
2. Vajutage „SISSE/VÄLJA“ nuppu (9).
  - » Seade teostab automaatse loputuse.
- » Seade lülitub välja.

#### Teave

- Seade lülitub automaatselt välja, kui seda pikka aega ei kasutata. Sellisel juhul teostatakse ka automaatne loputus.
- Aparaadil väljalülitamise aega saab seadistada menüüs *Auto Aus* (Autom. välja), vt ptk 7.2 *Automaatse väljalülitamise seadistamine* lk 646.
- Kui pärast sisselülitamist pole jookke valmistatud või kui veepaak on tühi, ei toimu loputust.

## 4.2 Juhtpaneeli kasutamine

Olulised programmid on ligipääsetavad juhtpaneeli kaudu.

Vajutage soovitud klahvile. Klahvide kasutamine:



### Lühike vajutus

Vajutage klahvi lühidalt, et valida programmi.



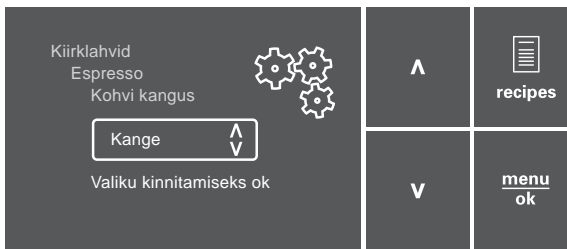
### Pikk vajutus

Vajutage klahvi kauem kui 2 sekundit, et valida teine saadaval olev programm.

## 4.3 Menüüs navigeerimine

Erijookide, hoolduse ja puhastamise jaoks kuvage ekraanile menüü ning navigeerige menüüs.

Jälgige juhiseid ekraanil.



Joon 6: Ekraan (näide) ja klahvid

Kasutage navigeerimiseks alltoodud võimalusi:


### Menüü kuvamine või valiku kinnitamine



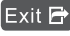
Vajutage klahvi „menüü/ok“ kauem kui 2 sekundit, et kuvada menüü.

Vajutage lühidalt „menüü/ok“ klahvi, et kinnitada oma valik.

## Menüüs navigeerimine või numbriväärtuse muutmine

-  Menüüs üles või alla liikumiseks vajutage "Noolenuppudele". Numbriväärtuse muutmiseks vajutage nooleklahve. Vajutage ja hoidke nooleklahvi, et kiirelt jõuda soovitud kohani või numbriväärtuseni.

## Menüüst väljumine

-  Valige "Noolenuppudega" käsk Exit (Välju) ja kinnitage menüüst väljumine nupuga "menu/ok" (Menüü/ok). Väljuge alammenüüdest, mis vaid kuvavad teavet ning seadeid ei muuda, klahviga „menu/ok“.

## Alammenüüde kuvamine

Teatud seadme programme saab kasutada mitme järjestikuse alammenüü kuvamisega.

Alammenüüsid kuvatakse alati sarnasel moel. Allpool on kirjeldatud *Katlakivieemaldusprogrammi* kuvamine näitena.



Joon 7: Navigeerimine Katlakivieemaldusprogrammi

1. Vajutage nupule "menu/ok" (Menüü/ok) 2 sekundit.
  - » Ekraanile ilmub menüü.
2. Valige "Noolenuppudega" Hooldus ja kinnitage nupuga "menu/ok" (Menüü/ok).
3. Valige "Noolenuppudega" *Katlakivieemaldus* ja kinnitage nupuga "menu/ok" (Menüü/ok).

Programmi valimine on kasutusjuhendites alati kuvatud lühidalt:

- Valige menüüst *Hooldus* > *Katlakivieemaldus*.

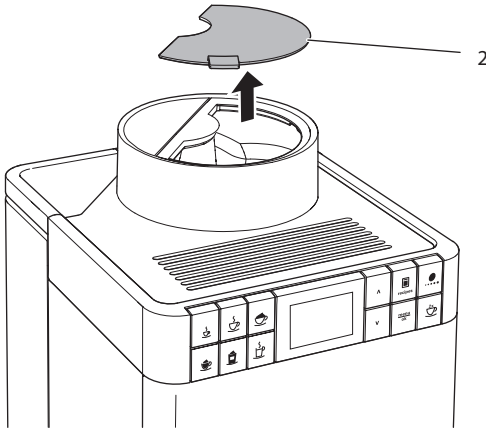
## 4.4 Ubademahuti täitmine kohviubadega

Röstitud kohvioad kaotavad oma aroomi. Täitke mahuti ainult nii paljude ubadega, mida 3-4 päeva jooksul ära tarbite.

### TÄHELEPANU

**Sobimatute ubade kasutamine võib kaasa tuua veski kinniilumise.**

- Ärge kasutage külmuivatatud või karamelliseeritud kohviube.
- Ärge kasutage kohvipulbreid või lahustavat kohvi.



Joon 8: Ubade mahuti kaane avamine

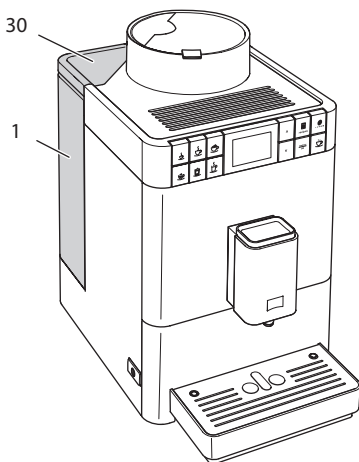
1. Avage ubade mahutil kaas (2).
2. Täitke ubade mahuti kohviubadega.
3. Sulgege ubade mahuti kaas.

## 4.5 Veemahuti täitmine

Optimaalse kohvinaudingu jaoks kasutage ainult värsket ja külma gaseerimata vett. Vahetage vett igapäevaselt.

### Teave

Veekvaliteet mõjutab suures osas kohvimaitset. Kasutage seepärast veefiltrit (vt ptk 8.8 *Vee kareduse seadistamine* lk 656 ja ptk 8.9 *Veefiltri kasutamine* lk 657).

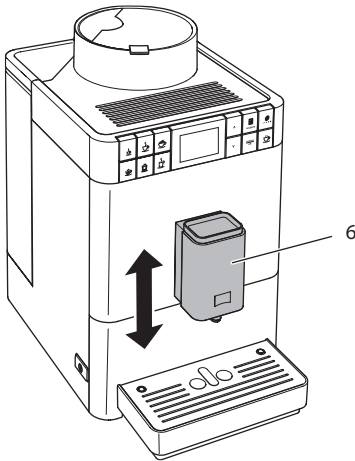


Joon 9: Veepaak

1. Avage veepaagi kaas (30), ning tõmmake veepaak (1) ülespoole sead-  
mest välja, hoides seda sangast.
2. Täitke paak veega.
3. Pange veepaak ülevalt aparadi sisse tagasi ja sulgege kaas.

## 4.6 Tila reguleerimine

Väljastaja (6) kõrgust saab reguleerida. Seadke anuma ja tila vahel väikseim võimalik kaugus. Olenevalt anumast lükake tila üles või alla.

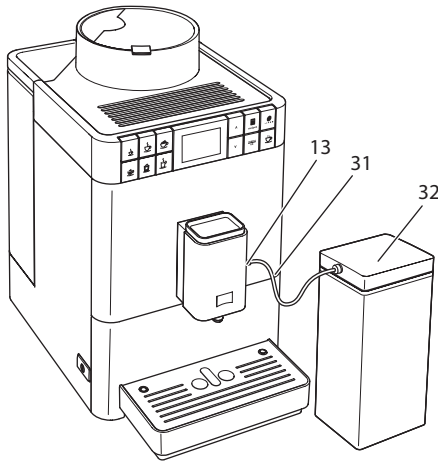


Joon 10: Tila reguleerimine

## 4.7 Piima kasutamine

Optimaalse kohvinaudingu jaoks kasutage jahutatud piima. Olenevalt seadme versioonist võib komplektis olla kas pikk piimavoolik või piimaanum.

### Piimaanuma ühendamine



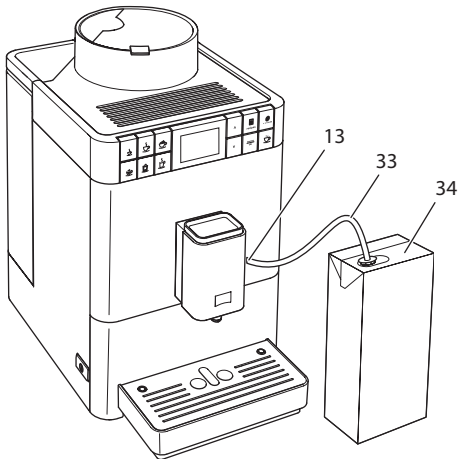
Joon 11: Ühendatud piimaanum

1. Ühendage piimavoolik (31) tila juures asuva ühendusega (13).
2. Ühendage piimavooliku vaba ots piimaanumaga (32).

#### Teave

Hoiustage piimaanumat külmkapis.

## Piimapaki ühendamine



Joon 12: Ühendatud tavapärase piimapakk

1. Ühendage pikk piimavoolik (33) tila juures asuva ühendusega (13).
2. Torgake piimavooliku vaba ots tavalisse piimapakki (34).

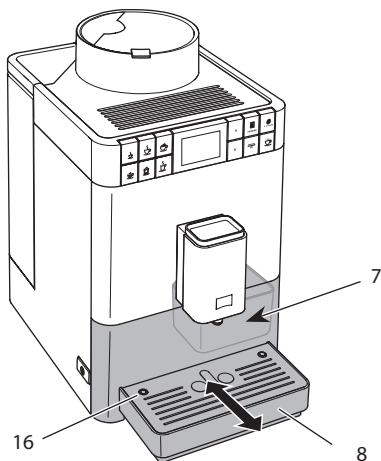


## 4.8 Tilkumisaluse ja kohvipaksu mahuti tühjendamine

Pärast mitme joogi väljastamist võivad tilkumisalus (8) ja kohvipaksusahtel (7) täis saada. Ujuk (16) näitab tilkumisaluse hetkeseisu.

Pärast kindla arvu jookide väljastamist näitab seade ka, et tilkumisalus ja kohvipaksusahtel on täis.

Tühjendage alati nii tilkumisalus kui kohvipaksusahtel.



Joon 13: Tilkumisaluse ja kohvipaksu mahuti tühjendamine

1. Tõmmake tilkumisalus (8) aparaadist ettepoole välja.
2. Võtke kohvipaksu mahuti (7) välja ja tühjendage see.
3. Tühjendage tilkumisalus.
4. Sisestage kohvipaksusahtel.
5. Lükake tilkumisalus seadmesse lõpuni sisse.

### Teave

Kui tühjendate tilkumisalust ja kohvipaksusahtlit siis, kui seade on välja lülitatud, ei registreeri seade seda tegevust. Seetõttu võib juhtuda, et teilt nõutakse tilkumisaluse ja kohvipaksusahtli tühjendamist, kuigi need ei ole veel täis.

## 5 Jookide valmistamine

Jookide valmistamiseks on kaks valikut:

- Tavaline valmistamine nagu on kirjeldatud allpool
- Retsepti alusel valimine ja valmistamine (vt ptk 5.6 *Retsepti järgi erijookide valmistamine* lk 641).

### Teave

Tavalise valmistamise või retsepti järgi valmistamise vaikesätteid saab piisavalt muuta (vt ptk 6.1 *Põhiseadistuste muutmine* lk 645).

Märkus:

- Veepaagis peaks alati olema piisavalt vett. Kui tase on liiga madal, palub seade vett lisada.
- Ubade mahutis peaks alati olema piisavalt ube. Kui ube enam ei ole, lõpetab seade joogi tegemise.
- Seade ei tuvasta piima puudumist.
- Joogianumad peavad olema piisavalt suured (vt tabelit *Tehase seadistused* lk 662).

### 5.1 Espresso või Café Crème valmistamine



**Eeldus:** Ekraanil kuvab näit, et aparaat on kasutamiseks valmis.



1. Asetage tila alla anum.
2. Vajutage klahvi „Espresso“ või „Café Crème“.
  - » Algab jahvatamine ja joogi väljastamine.
  - » Joogi väljastamine lõpeb automaatselt.
3. Eemaldage anum.
  - » Ekraanile ilmub „valmis“ sümbol.

## 5.2 Cappuccino valmistamine



**Eeldus:** ekraanil kuvab näit, et aparaat on kasutamiseks valmis ja piim on ühendatud.

1. Asetage tila alla anum.
2. Vajutage kiirklahvi „Cappuccino“.
  - » Algab jahvatamine ja joogi väljastamine.
  - » Joogi väljastamine lõpeb automaatselt.
  - » Algab piima väljastamine.
  - » Joogi väljastamine lõpeb automaatselt.
3. Eemaldage anum.
  - » Ekraanile kuvatakse Easy Cleaning? (*Alustamiseks vajutage ok*).
4. Te võite käivitada kerge puhastusprogrammi või valmistada veel jooke.
  - a) Käivitage kerge puhastusprogramm. Selleks järgige ekraanile ilmutaid juhiseid. Selle kohta lugege teavet ptk 8.4 *Kerge puhastusprogrammi kasutamine* lk 653.
  - b) Valmistage veel jooke ja käivitage kerge puhastusprogramm hiljem.
    - » Ekraanile ilmub „valmis“ sümbol.

## 5.3 Latte Macchiato valmistamine



**Eeldus:** ekraanil kuvab näit, et aparaat on kasutamiseks valmis ja piim on ühendatud.

1. Asetage tila alla anum.
2. Vajutage kiirklahvi „Latte Macchiato“.
  - » Algab piima väljastamine.
  - » Piima väljastamine lõpeb automaatselt.
  - » Algab jahvatamine ja joogi väljastamine.
  - » Joogi väljastamine lõpeb automaatselt.
3. Eemaldage anum.
  - » Ekraanile kuvatakse Easy Cleaning? (*Alustamiseks vajutage ok*).
4. Te võite käivitada kerge puhastusprogrammi või valmistada veel jooke.
  - a) Käivitage kerge puhastusprogramm. Selleks järgige ekraanile ilmutaid juhiseid. Selle kohta lugege teavet ptk 8.4 *Kerge puhastusprogrammi kasutamine* lk 653.
  - b) Valmistage veel jooke ja käivitage kerge puhastusprogramm hiljem.
    - » Ekraanile ilmub „valmis“ sümbol.

## 5.4 Piimavahu või sooja piima valmistamine



Piimavahtu ja sooja piima valmistatakse sarnaselt.

**Eeldus:** ekraanil kuvab näit, et aparaat on kasutamiseks valmis ja piim on ühendatud.

1. Asetage tila alla anum.
2. Vajutage kiirklahvi „Piimavaht/soe piim“.
  - a) Piimavaht = lühike vajutus
  - b) Soe piim = pikk vajutus (2 sekundit)
    - » Algab piima väljastamine.
    - » Joogi väljastamine lõpeb automaatselt.
3. Eemaldage anum.
  - » Ekraanile kuvatakse Easy Cleaning? (*Alustamiseks vajutage ok*).
4. Te võite käivitada kerge puhastusprogrammi või valmistada veel jooke.
  - a) Käivitage kerge puhastusprogramm. Selleks järgige ekraanile ilmu-  
vaid juhiseid. Selle kohta lugege teavet ptk 8.4 *Kerge puhastusprog-  
rammi kasutamine* lk 653.
  - b) Valmistage veel jooke ja käivitage kerge puhastusprogramm hiljem.
  - » Ekraanile ilmub „valmis“ sümbol.

## 5.5 Kuuma vee valmistamine



**Eeldus:** Ekraanil kuvab näit, et aparaat on kasutamiseks valmis.

1. Asetage tila alla anum.
2. Vajutage kiirklahvi „Kuum vesi“.
  - » Algab kuuma vee väljastamine.
  - » Joogi väljastamine lõpeb automaatselt.
3. Eemaldage anum.
  - » Ekraanile ilmub „valmis“ sümbol.

## 5.6 Retsepti järgi erijookide valmistamine



Lisaks tavaliste jookide valmistamisele saate menüüst Retseptid valida erijooke. Valida saab järgmisi jooke:

Piimata erikohvid:

- Ristretto,
- Lungo,
- Americano.

Piimaga erikohvid:

- Espresso Macchiato,
- Caffè Latte,
- Café au Lait.

## Ristretto, Lungo või Americano valmistamine

Ristretto, Lungo ja Americano valmistamine on sarnane. Näitena on toodud Ristretto valmistamine.

**Eeldus:** Ekraanil kuvab näit, et aparaat on kasutamiseks valmis.

1. Asetage tila alla anum.
2. Vajutage klahvi „Retseptid“.
  - » Ekraanile ilmub menüü *Retseptid*.
3. Valige "Noolenuppudega" *Ristretto* ja kinnitage nupuga "menu/ok" (Menüü/ok).
4. Kinnitage oma valik klahviga „menu/ok“.
  - » Algab jahvatamine ja joogi väljastamine.
  - » Joogi väljastamine lõpeb automaatselt.
5. Eemaldage anum.
  - » Ekraanile ilmub „valmis“ sümbol.

## Espresso Macchiato, Caffè Latte või Café au Lait valmistamine

Espresso Macchiato, Caffè Latte ja Café au Lait valmistamine on sarnane. Näitena on toodud Espresso Macchiato valmistamine.

**Eeldus:** ekraanil kuvab näit, et aparaat on kasutamiseks valmis ja piim on ühendatud.

1. Asetage tila alla anum.
2. Vajutage klahvi „Retseptid“.
  - » Ekraanile ilmub menüü *Retseptid*.
3. Valige nooleklahvidega *Espresso Macchiato*.
4. Kinnitage oma valik klahviga „menu/ok“.
  - » Algab jahvatamine ja joogi väljastamine.
  - » Joogi väljastamine lõpeb automaatselt.
  - » Algab piima väljastamine.
  - » Joogi väljastamine lõpeb automaatselt.
5. Eemaldage anum.
  - » Ekraanile kuvatakse Easy Cleaning? (*Alustamiseks vajutage ok*).
6. Te võite käivitada kerge puhastusprogrammi või valmistada veel jooki.
  - a) Käivitage kerge puhastusprogramm. Selleks järgige ekraanile ilmutatud juhiseid. Selle kohta lugege teavet ptk 8.4 *Kerge puhastusprogrammi kasutamine* lk 653.
  - b) Valmistage veel jooki ja käivitage kerge puhastusprogramm hiljem.
  - » Ekraanile ilmub „valmis“ sümbol.

## 5.7 Joogi seadistuste muutmine enne valmistamist ja valmistamise ajal

Joogiseadeid saab muuta enne joogi valmistamist ja joogi valmistamise ajal.

 Teave

Järgnevad seaded kehtivad vaid sellele valmistatavale joogile.

### Joogi seadistuste muutmine enne jookide valmistamist

Enne joogi valmistamist saate muuta joogi kogust ja kohvi kangust.



- Enne joogi valmistamist valige nooleklahvidega joogi kogus.
- Enne joogi valmistamist valige kohvi kangus klahviga „Kohvi kangus“.

 Teave

- Segatud jookide valmistamisel jagatakse kogu joogi kogus kindlaks määratud suhte järgi. See kehtib segatud jookidele, mis on tehtud kohvist ja piimast või kuumast veest.
- Kui jooki 1 minuti jooksul ei valmistata, lülitub seade vaikesätetele tagasi.

### Joogi seadistuste muutmine joogi valmistamise ajal

Joogi valmistamise ajal saate muuta joogi kogust ja kohvi kangust.



- Valige joogi väljastamise ajal nooleklahvidega joogi kogus.
- Valige jahvatamise ajal kohvi kangus klahviga „Kohvi kangus“.

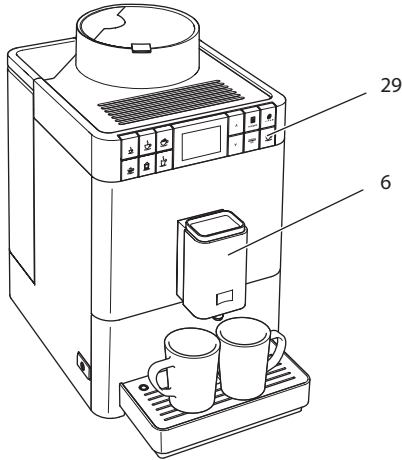
## 5.8 Joogi valmistamise peatamine

Joogi valmistamise enneaegseks peatamiseks vajutage mistahes kiirklahvi.

## 5.9 Kahe kohvi valmistamine samaaegselt



Klahviga "Kaks tassi" saab korraga valmistada kaks jooki. Kahte tassi korraga saab valmistada jookidest Espresso, Café Crème, Ristretto. Kahe tassi kaupa ei saa valmistada kuuma vett, sooja piima ja segatud jooke.



Joon 14: Kahe tassi väljastamine

1. Asetage tila alla kaks anumat (6).
2. Vajutage nuppu „Kaks tassi“ (29).
3. Jätkake nagu soovitud joogi tegemise juhend ette näeb.

### **i** Teave

- Seade kehtib vaid ühe joogi kohta.
- Kui kohvijooki 1 minuti jooksul ei valmistata, lülitub seade ühe tassi väljastamise režiimile tagasi.

## 6 Jookide seadistuste püsiv muutmine

Seadmega saab valmistada erikohvisid. Võib kasutada vaikesätteid või muuta joogisätteid püsivalt.

### 6.1 Põhiseadistuste muutmine

Olenevalt joogist saab muuta järgnevaid vaikesätteid:

- **Kohvi kogus:** 25 ml kuni 220 ml
- **piima või piimavahu kogus:** 25 ml kuni 220 ml
- **Kuum vesi:** 25 ml kuni 220 ml
- **Kohvi kangus:** väga lahja, lahja, normaalne, kange, väga kange,
- **Temperatuur:** madal, normaalne, kõrge.

**i** Teave

Muudetud vaikesätted kehtivad seni, kuni neid uuesti muudetakse.

Joogiseadete muutmine on sarnane kõikide jookide puhul. Espresso kohvi kanguse muutmine on toodud näitena.



Joon 15: Kohvi kanguse valimine

**Eeldus:** Ekraanil kuvab näit, et aparaat on kasutamiseks valmis.

1. Vajutage „menu/ok“ klahvi kauem kui 2 sekundit.
    - » Ekraanile ilmub menüü.
  2. Valige menüüst *Jookide nupud* > *Espresso* > *Kohvi kangus*.
  3. Valige "Noolenuppudega" sobiv kohvi kangus ja kinnitage nupuga "menu/ok" (Menüü/ok).
  4. Menüüst väljumiseks valige käsk *Exit* (Välju).
    - » Ekraanile ilmub „valmis“ sümbol.
- » Järgmine kord, kui Espresso valmistatakse, kasutakse äsja valitud kangust.



## 7 Põhiseadistuste muutmine

Järgnevas peatükis on kirjeldatud seadme põhiseadete muutmist.

### 7.1 Keele seadistamine

Ekraaniteksti keelt saab muuta.

**Eeldus:** Ekraanil kuvab näit, et aparaat on kasutamiseks valmis.

1. Vajutage „menu/ok“ klahvi kauem kui 2 sekundit.
  - » Ekraanile ilmub menüü.
2. Valige menüüst *Keel*.
3. Valige "Noolenuppudega" keel ja kinnitage nupuga "menu/ok" (Menüü/ok).
4. Väljuge menüüst käsuga *Exit* (Välju).
  - » Ekraanile ilmub „valmis“ sümbol.

### 7.2 Automaatse väljalülitamise seadistamine

Kui seadet ei ole pikka aega kasutatud, lülitub see kindlaks määratud aja jooksul välja. Seda aega saab *Automaatse väljalülituse* menüüs muuta.

#### Automaatse väljalülituse aja seadmine

**Eeldus:** Ekraanil kuvab näit, et aparaat on kasutamiseks valmis.

1. Vajutage „menu/ok“ klahvi kauem kui 2 sekundit.
  - » Ekraanile ilmub menüü.
2. Navigeerige menüüsse *Automaatne väljalülitus*.
3. Valige "Noolenuppudega" aeg ja kinnitage nupuga "menu/ok" (Menüü/ok).
4. Väljuge menüüst käsuga *Exit* (Välju).
  - » Ekraanile ilmub „valmis“ sümbol.

 Teave

Automaatset väljalülitust ei saa täielikult keelustada. Pärast viimast kasutamist lülitab seade ennast hiljemalt 8 tunni pärast välja.

## 7.3 Energiasäästlikkus režiimi seadistamine

Energiasäästlikkuse programm võimaldab kasutada madalamat soojendus-temperatuuri.

Kui seadet ei ole pikka aega kasutatud, lülitub see pärast kindlaks määratud aega automaatselt energiasäästuprogrammile. Ekraanile ilmub teade *Vajuta suvalist klahvi*. Kui olete juhise täitnud, lõpeb energiasäästurežiim.

Menüüs *Energiasäästurežiim* saate seadistada aega, mille möödudes aparaat energiasäästurežiimile lülitatakse.

**Eeldus:** Ekraanil kuvab näit, et aparaat on kasutamiseks valmis.

1. Vajutage „menu/ok“ klahvi kauem kui 2 sekundit.
  - » Ekraanile ilmub menüü.
2. Valige menüüst *Energiasäästurežiim*.
3. Valige "Noolenuppudega" aeg ja kinnitage nupuga "menu/ok" (Menüü/ok).
4. Väljuge menüüst käsuga *Exit* (Välju).

» Ekraanile ilmub „valmis“ sümbol.

 Teave

Automaatset väljalülitust ei saa täielikult keelustada. Pärast viimast kasutamist lülitub seade hiljemalt 4 tunni pärast energiasäästurežiimile.

## 7.4 Tehaseadistuste taastamine

Tehase algseadistusi saab taastada.

 Teave

Kui seadme tehase algseadistused taastatakse, kaovad kõik sisestatud individuaalsed seadistused.

**Eeldus:** Ekraanil kuvab näit, et aparaat on kasutamiseks valmis.

1. Vajutage „menu/ok“ klahvi kauem kui 2 sekundit.
    - » Ekraanile ilmub menüü.
  2. Navigeerige menüüsse *Süsteem* > *Tehase seadistused*.
  3. Valige "Noolenuppudega" *Taastamine* ja kinnitage nupuga "menu/ok" (Menüü/ok).
- » Ekraanile ilmub „valmis“ sümbol.

## 7.5 Teave seadme oleku kohta

Seadme oleku kohta saab teavet menüüst *Süsteem* > *Statistika*. Vajutage klahvi „menu/ok“, et menüüst väljuda.

Järgnev tabel annab ülevaate teabe tähendusest.

Teave	Tähendus
<i>Joogid</i>	Esmasest käivitamisest alates valmistatud jookide arv
<i>Katlakivieemaldused</i>	Teostatud katlakivieemalduste arv
<i>Kohvisüsteemi puhastused</i>	Teostatud puhastusprotsesside arv
<i>Piimasüsteemi puhastused</i>	Teostatud puhastusprotsesside arv
<i>Filtrivahetused</i>	Teostatud filtrivahetuste arv

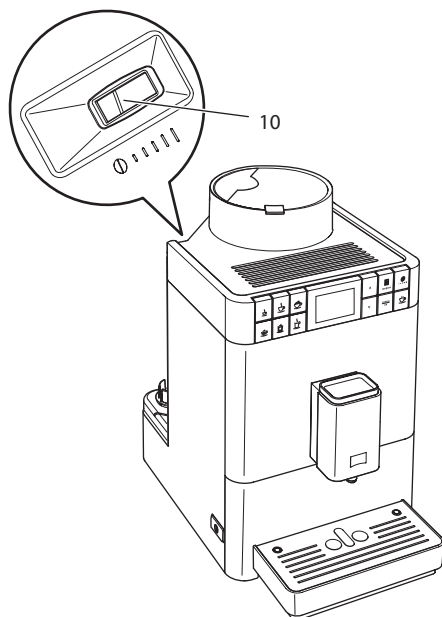
Edenemisribal näidatakse jookide arv, mida saate veel valmistada, kuni seade nõuab puhastust, katlakivieemaldust või filtrivahetust.

### Tarkvara versioon

Paigaldatud tarkvara versiooni saate menüüst *Süsteem* > *SW versioon*. Vajutage klahvi „menu/ok“, et menüüst väljuda.

## 7.6 Jahvatusastme seadmine

Kohvipuru jahvatusaste mõjutab kohvimaitset. Jahvatusaste on optimeeritud enne tarnimist. Soovitame jahvatusastet reguleerida alles siis, kui on valmistatud umbes 1000 jooki (umbes 1 aasta möödumisel).



Joon 16: Jahvatusastme seadmise kang

1. Eemaldage veepaak.
  - » Korpuse küljes on nähtav "Jahvatusastme reguleerimine" (10) kang.
2. Liigutage kangi vasakule või paremale, nagu joonisel Joon 16 näidatud.
  - Vasakule = jahvatamine on peenem
  - Paremale = jahvatamine on jämedam
3. Asetage veepaak tagasi oma kohale.

### **i** Teave

- Kui jahvatusaste on seatud peenemaks, on kohvimaitse tugevam.
- Jahvatusaste on optimaalne, kui kohvi voolab tilast välja ühtlaselt ning joogile tekib peen ja tihke kreem.

## 8 Tehniline hooldus ja korrashoid

Regulaarne hooldus ja korrashoid kindlustavad jookide jätkuva kõrge kvaliteedi.

### 8.1 Üldine puhastamine

Puhastage seadet regulaarselt. Eemaldage koheselt piima- ja kohviplekid.

#### TÄHELEPANU

**Ebasobivate puhastusvahenditega puhastamine võib pindu kriimustada.**

- Ärge kasutage küüriva toimega lappe, käsnu ega puhastusvahendeid.

**Eeldus:** aparaat on välja lülitatud.

- Puhastage seadme välispind pehme, niiske riidelapi ning tavalise pesuvahendiga.
- Puhastage tilkumisalus ja kohvipaksusahtel. Kasutage selleks pehmet, niisket lappi ja tavalist nõudepesuvahendit.
- Puhastage ubade mahuti pehme, kuiva lapiga.
- Kohvipaksusahtlit (7), tassialust (15) piimaanumat (ilma kaane, piimavooliku ja püsttoruta) võib pesta nõudepesumasinas.

### 8.2 Kohvisüsteemi puhastamine

Loputamise ajal loputatakse tilaotsikud ja kohvisüsteem seestpoolt. Loputusvesi jookseb tilkumisalusele.

Seade teostab automaatse loputuse, kui see lülitatakse sisse või välja.

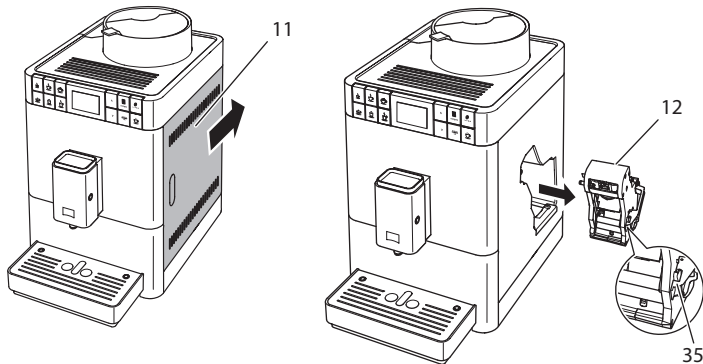
Loputust saab teostada ka käsitsi:

**Eeldus:** Ekraanil kuvab näit, et aparaat on kasutamiseks valmis.

1. Asetage tila alla anum.
2. Vajutage „menu/ok“ klahvi kauem kui 2 sekundit.
  - » Ekraanile ilmub menüü.
3. Valige menüüst *Hooldus > Loputus*.
  - » Seade teostab automaatse loputuse.
- » Ekraanile ilmub „valmis“ sümbol.

### 8.3 Kohvivalmistamissüsteemi eemaldamine ja puhastamine

Seadme kahjustuste vältimiseks soovitame kohvivalmistamissüsteemi puhastada kord nädalas.

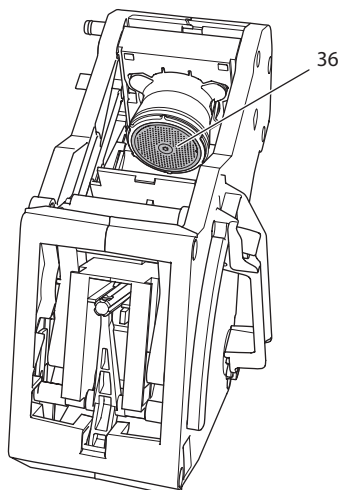


Joon 17: Kohvivalmistamissüsteemi eemaldamine

**Eeldus:** aparaat on välja lülitatud.

1. Avage kate (11). Selleks võtke kinni seadme paremal pool asuvast süvendist ja lükake katet tahapoole. Võtke kate ära.
2. Vajutage punast hooba (35) tõmbekambri pidemel (12) ja hoidke seda allavajutatuna ning keerake pidet päripäeva, kuni see lukustub.

3. Tõmmake kohvivalmistamissüsteem pidemest kinni hoides seadmet välja.



Joon 18: Kohvivalmistamissüsteemi puhastamine

4. Puhastage kohvivalmistamissüsteem hoolikalt jooksva vee all igalt poolt.
  - » Kohvivalmistamissüsteem ja sõel (36) on kohvijääkidest puhtad.
5. Laske kohvivalmistamissüsteemil kuivada.
6. Kasutage pehmet, kuiva lappi, et eemaldada kohvijäägid seadme sise-musest.
7. Sisestage kohvivalmistamissüsteem seadmesse. Vajutage ja hoidke punast kangi kohvivalmistamissüsteemi pidemel ning keerake pidet vastupäeva lõpuni, kuni see fikseerub.
8. Sulgege kate. Selleks pange kate peale ja lükake lõpuni ettepoole, kuni see fikseerub.

## 8.4 Kerge puhastusprogrammi kasutamine

Kerge puhastusprogrammiga loputatakse piimasüsteem.

Iga kord, kui valmistate piimaga jooki, nõuab seade Kerge puhastusprogrammi kasutamist.

Programmi Easy Cleaning võite läbi viia ka käsitsi.

**Eeldus:** Ekraanil kuvab näit, et aparaat on kasutamiseks valmis.

1. Asetage tila alla anum.
2. Vajutage „menu/ok“ klahvi kauem kui 2 sekundit.
  - » Ekraanile ilmub menüü.
3. Valige menüüst *Hooldus > Easy Cleaning* (Piimasüsteemi loputus).
4. Valige "Noolenuppuodega" *Käivitus* ja kinnitage nupuga "menu/ok" (Menüü/ok).
5. Järgige edasisi juhiseid ekraanil kuni Kerge puhastusprogrammi lõpuni.
  - » Ekraanile ilmub „valmis“ sümbol.

## 8.5 Piimasüsteemi puhastamisprogrammi kasutamine

Piimasüsteemi puhastamiseks on vaja piimasüsteemi puhastusvahendit.

Hügieeninõuete täitmiseks ja seadme kahjustuste vältimiseks soovitame puhastusprogrammi kasutada kord nädalas.

Puhastusprogramm kestab umbes 3 minutit ning seda ei tohiks katkestada.

### TÄHELEPANU

**Ebasobivate piimasüsteemi puhastusvahendite kasutamine ja kasutusjuhiste mittekinnipidamine võivad seadet kahjustada.**

- Kasutage ainult täisautomaatse kohvimasina piimasüsteemi puhastusvahendit Melitta® PERFECT CLEAN.
- Pidage kinni piimasüsteemi puhastusvahendi tootja juhistest pakendil.

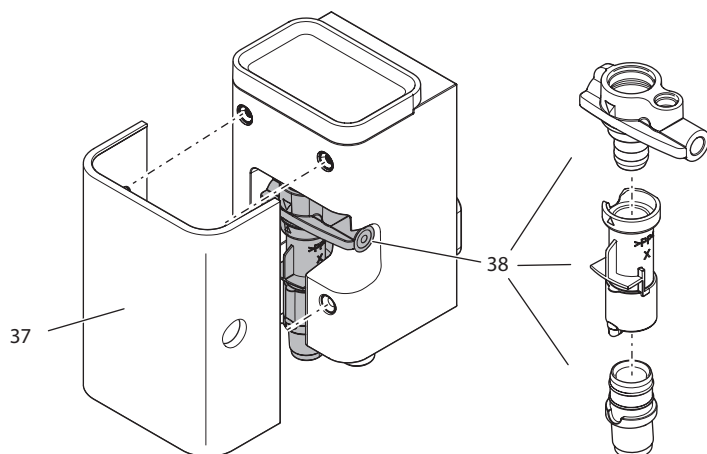
**Eeldus:** Ekraanil kuvab näit, et aparaat on kasutamiseks valmis.

1. Asetage kohvipaksusahtel (7) või vähemalt 0,7 l anum tila alla.
2. Vajutage „menu/ok“ klahvi kauem kui 2 sekundit.
  - » Ekraanile ilmub menüü.
3. Valige menüüst *Hooldus > Piimasüsteemi puhastamine*.
4. Valige "Noolenuppuodega" *Käivitus* ja kinnitage nupuga "menu/ok" (Menüü/ok).
5. Järgige edasisi juhiseid ekraanil kuni puhastusprogrammi lõpuni.
  - » Ekraanile ilmub „valmis“ sümbol.



## Piimasüsteemi puhastamine

Lisaks soovitame piimasüsteemi, piimavoolikut ja piimaanumat puhastada regulaarselt (olenevalt mudelist).



Joon 19: Piimasüsteemi eemaldamine

Piimasüsteemi eemaldamiseks järgige alltoodud juhiseid:

**Eeldus:** Piimavoolik on seadme küljest eemaldatud.

1. Tõmmake tila alt kate (37) ettepoole maha.
2. Vajutage piimasüsteemi (38) alla ja eemaldage see.
3. Võtke piimasüsteem kolmeks osaks lahti, nagu ülal näidatud.
4. Puhastage iga osa sooja veega. Kasutage selleks kaasasolevat puhastus-harja, pehmet, niisket lappi ja tavalist nõudepesuvahendit.

Paigaldamine käib vastupidises järjekorras.

## 8.6 Kohvisüsteemi puhastamisprogrammi kasutamine

„Kohvisüsteemi puhastuse“ programmiga eemaldatakse kohvijäägid ja kohviõli jäägid, kasutades täisautomaatse kohvimasina puhastusvahendit.

Seadmete kahjustuste vältimiseks soovitame puhastusprogrammi kasutada iga 2 kuu tagant või kui seade seda nõuab.

Puhastusprogramm kestab umbes 10 minutit ning seda ei tohiks katkestada.

**⚠ HOIATUS**

**Kokkupuude täisautomaatse kohvimasina puhastusvahendiga võib põhjustada silmade ja naha ärritust.**

- Järgige täisautomaatse kohvimasina puhastusvahendi kasutusjuhiseid etiketil.

**TÄHELEPANU**

**Ebasobivate täisautomaatse kohvimasina puhastusvahendite kasutamine võib seadet kahjustada.**

- Kasutage ainult täisautomaatse kohvimasina puhastustablette Melitta® PERFECT CLEAN.

**Eeldus:** Ekraanil kuvab näit, et aparaat on kasutamiseks valmis.

1. Vajutage „menu/ok“ klahvi kauem kui 2 sekundit.
  - » Ekraanile ilmub menüü.
2. Valige menüüst *Hooldus > Kohvisüsteemi puhastamine*.
3. Valige "Noolenuppudega" *Käivitus* ja kinnitage nupuga "menu/ok" (Menüü/ok).
4. Järgige edasisi juhiseid ekraanil kuni puhastusprogrammi lõpuni.
  - » Ekraanile ilmub „valmis“ sümbol.

## 8.7 Katlakivieemaldusprogrammi kasutamine

Katlakivieemaldusprogrammi kasutatakse seadme sees olevate katlakivise-tete eemaldamiseks täisautomaatse kohvimasina katlakivieemaldusvahendiga.

Seadmete kahjustuste vältimiseks soovitame katlakivieemaldusprogrammi kasutada iga 3 kuu tagant või kui seade seda nõuab.

Katlakivieemaldusprogramm kestab umbes 25 minutit ning seda ei tohiks katkestada.

**⚠ HOIATUS**

**Kokkupuude täisautomaatse kohvimasina katlakivieemaldusvahendiga võib põhjustada silmade ja naha ärritust.**

- Järgige täisautomaatse kohvimasina katlakivieemaldusvahendi kasutusjuhiseid etiketil.

**TÄHELEPANU**

**Ebasobivate katlakivieemaldusvahendite kasutamine ja kasutusjuhistest mittekinnipidamine võivad seadet kahjustada.**

- Kasutage ainult täisautomaatse kohvimasina vedelat katlakivieemaldusvahendit Melitta® ANTI CALC.
- Pidage kinni katlakivieemaldaja tootja juhistest pakendil.

**TÄHELEPANU**

**Katlakivieemaldusprogramm võib veefiltrit kahjustada.**

- Eemaldage veefilter, kui seade seda nõuab.
- Asetage veefilter katlakivieemaldusprogrammi ajaks kraaniveega täidetud anumasse.
- Kui katlakivi eemaldamise programm on lõppenud, pange veefilter aparaadi sisse tagasi.

**Eeldus:** Ekraanil kuvab näit, et aparaat on kasutamiseks valmis.

1. Vajutage „menu/ok“ klahvi kauem kui 2 sekundit.
  - » Ekraanile ilmub menüü.
2. Valige menüüst Hooldus > Katlakivieemaldus.
3. Valige "Noolenuppudega" Käivitus ja kinnitage nupuga "menu/ok" (Menüü/ok).
4. Järgige edasisi juhiseid ekraanil kuni katlakivieemaldusprogrammi lõpuni.
  - » Ekraanile ilmub „valmis“ sümbol.

## 8.8 Vee kareduse seadistamine

Vee kareduse määramine reguleerib, kui tihti on vaja teha katlakivi eemaldamist. Mida karedam vesi, seda tihedamini tuleb seadmelt katlakivi eemaldada.

**Teave**

Kui kasutate veefiltrit, ei saa vee karedust seadistada. Vee karedus on automaatselt seatud sättele „1 = pehme“ (vt ptk 8.9 *Veefiltri kasutamine* lk 657).

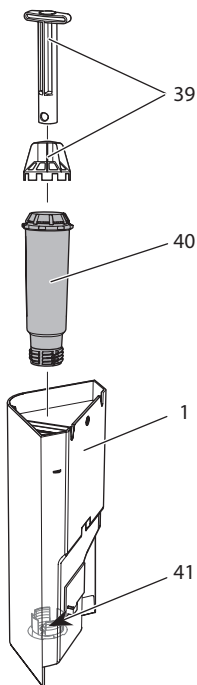
Määrake vee karedus komplekti kuuluva testriba abil. Järgige juhiseid testriba pakendil ja vaadake tabelit *Vee kareduse vahemik* lk 661.

**Eeldus:** Ekraanil kuvab näit, et aparaat on kasutamiseks valmis.

1. Vajutage „menu/ok“ klahvi kauem kui 2 sekundit.
  - » Ekraanile ilmub menüü.
2. Valige nooleklahvidega menüü *Vee karedus*.
3. Valige "Noolenuppudega" vee kareduse vahemik ja kinnitage nupuga "menu/ok" (Menüü/ok).
4. Väljuge menüüst käsuga *Exit* (Välju).
  - » Ekraanile ilmub „valmis“ sümbol.

## 8.9 Veefiltri kasutamine

Veefiltri kasutamine pikendab seadme eluiga ja seadet tuleb harvem katlakivist puhastada. Komplektis olev veefilter filtreerib lubja ja muud saasteained veest välja.



Joon 20: Veefiltri paigaldamine/eemaldamine

Veefilter (40) keeratakse lahti ja kinni keermega (39) veepaagi põhjal (41), kasutades keeramisabi (1).

## Veefiltri paigaldamine

### Teave

Asetage veefilter enne paigaldamist mõneks minutiks värske kraaniveega täidetud anumasse.

**Eeldus:** Ekraanil kuvab näit, et aparaat on kasutamiseks valmis.

1. Vajutage „menu/ok“ klahvi kauem kui 2 sekundit.
    - » Ekraanile ilmub menüü.
  2. Valige menüüst *Hooldus > Filter > Filtri sissepanemine*.
  3. Valige "Noolenuppudega" *Käivitus* ja kinnitage nupuga "menu/ok" (Menüü/ok).
  4. Selleks järgige ekraanile ilmuvaid juhiseid.
    - » Vee karedus on automaatselt seatud sättele *pehme*.
- » Ekraanile ilmub „valmis“ sümbol.

## Veefiltri vahetamine

Vahetage veefilter, kui seade seda nõuab.

**Eeldus:** Ekraanil kuvab näit, et aparaat on kasutamiseks valmis.

1. Vajutage „menu/ok“ klahvi kauem kui 2 sekundit.
    - » Ekraanile ilmub menüü.
  2. Valige menüüst *Hooldus > Filter > Filtri vahetamine*.
  3. Valige "Noolenuppudega" *Käivitus* ja kinnitage nupuga "menu/ok" (Menüü/ok).
  4. Selleks järgige ekraanile ilmuvaid juhiseid.
- » Ekraanile ilmub „valmis“ sümbol.

## Veefiltri eemaldamine

Veefiltrit ei tohiks jätta kauaks kuivana seisma. Kui veefiltrit pikemalt ei kasutata, soovitame hoiustada seda külmkapis kraaniveega täidetud anumasse.

Eemaldage veefilter alltoodud juhiste järgi:

**Eeldus:** Ekraanil kuvab näit, et aparaat on kasutamiseks valmis.

1. Vajutage „menu/ok“ klahvi kauem kui 2 sekundit.
  - » Ekraanile ilmub menüü.
2. Valige menüüst *Hooldus > Filter > Filtri väljavõtmine*.
3. Valige "Noolenuppudega" *Käivitus* ja kinnitage nupuga "menu/ok" (Menüü/ok).

4. Selleks järgige ekraanile ilmuvaid juhiseid.
  - » Vee kareduse eelmine seadistus taastatakse automaatselt.
  - » Ekraanile ilmub „valmis“ sümbol.
5. Reguleerige vajadusel vee karedust (vt ptk 8.8 *Vee kareduse seadistamine* lk 656).

## 9 Probleemid

Kui loetletud abinõud ei aita viga parandada või aparaadil tekib viga, mida siin ei ole kirjeldatud, helistage meie kliendiabi telefonile (kohalik kõnetariif).

Teenindusnumbri leiate külgakatte siseküljelt (11) või meie veebilehelt teeninduse alt.

Probleem	Põhjus	Tegevus
Kohvi ainult tilgub tilast.	Jahvatusaste liiga peen.	<ul style="list-style-type: none"> <li>▪ Seadke jämedam jahvatusaste (vt ptk 7.6 lk 649).</li> </ul>
	Seade on määrdunud.	<ul style="list-style-type: none"> <li>▪ Puhastage kohvivalmistamissüsteem (vt ptk 8.3 lk 651).</li> <li>▪ Tehke puhastus (vt ptk 8.6 lk 654).</li> </ul>
	Seade on seest katlakivi täis.	<ul style="list-style-type: none"> <li>▪ Eemaldage katlakivi seadmest (vt ptk 8.7 lk 655).</li> </ul>
Kohvi ei tule välja.	Veepaak tühi või valesti sisestatud.	<ul style="list-style-type: none"> <li>▪ Täitke veepaak ja veenduge, et see on õigesti sisestatud (vt ptk 4.5 lk 634).</li> </ul>
	Kohvivalmistamissüsteem on umbes.	<ul style="list-style-type: none"> <li>▪ Puhastage kohvivalmistamissüsteem (vt ptk 8.3 lk 651).</li> </ul>
Ekraanil kuvab teade <i>Täitke kohviubade mahuti</i> , kuigi mahuti on kohviube.	Kohvioad ei kuku veskisse.	<ul style="list-style-type: none"> <li>▪ Vajutage kiirklahvi.</li> <li>▪ Koputage õrnalt ubade mahutile.</li> <li>▪ Puhastage ubade mahuti.</li> <li>▪ Kohvioad on liiga õlised. Kasutage teisi kohviube.</li> </ul>
Veski teeb müra.	Võõrkehad veskis	<ul style="list-style-type: none"> <li>▪ Võtke ühendust klienditoega.</li> </ul>
Kohvivalmistamissüsteemi ei saa tagasi pärast selle eemaldamist.	Kohvivalmistamissüsteem pole korralikult sisestatud.	<ul style="list-style-type: none"> <li>▪ Kontrollige, et lukustusmehhanismi pide oleks õiges asendis (vt ptk 8.3 lk 651).</li> </ul>
	Ajam pole õiges asendis.	<ul style="list-style-type: none"> <li>▪ Vajutage ja hoidke „Kohvi kanguse“ klahvi. Vajutage lisaks „SISSE/VÄLJA“ nuppu. Seade teostab initialsiseerimise. Vabastage nupud.</li> </ul>
Ekraanil kuvab teade <i>Süsteemi viga</i> .	Tarkvara probleem.	<ul style="list-style-type: none"> <li>▪ Lülitage seade välja ja uuesti sisse (vt ptk 4.1 lk 630).</li> <li>▪ Võtke ühendust klienditoega.</li> </ul>

## 10 Transportimine, hoiustamine ja kasutusest kõrvaldamine

### 10.1 Vee väljastamine seadmest auruga

Soovitame seadmest kogu vesi auruga välja lasta, kui seadet pikemat aega ei kasutata, samuti transportimiseks ja külmaohu korral.

Auruga lastakse seadmest kogu vesi välja.

**Eeldus:** Ekraanil kuvab näit, et aparaat on kasutamiseks valmis.

1. Asetage tila alla anum.
2. Vajutage „menu/ok“ klahvi kauem kui 2 sekundit.
  - » Ekraanile ilmub menüü.
3. Valige menüüst *Hoolitus* > *Auru eemaldamine*.
4. Valige "Noolenuppudega" *Käivitus* ja kinnitage nupuga "menu/ok" (Menüü/ok).
5. Selleks järgige ekraanile ilmuvaid juhiseid.
  - » Seade lülitub välja.

### 10.2 Seadme transportimine

#### TÄHELEPANU

**Veejääkide külmumine võib seadet kahjustada.**

- Ärge hoidke seadet kohas, kus temperatuur langeb alla 0 °C.

#### Teave

Transportige seadet esialgses pakendis. See ennetab transpordi käigus saadavaid kahjustusi.

Enne transportimist viige läbi järgmised toimingud:

1. Laske seadmest kogu vesi välja (vt ptk 10.1 *Vee väljastamine seadmest auruga* lk 660).
2. Tühjendage tilkumisalus ja kohvipaksusahtel.
3. Tühjendage veepaak.
4. Tühjendage kohvipaksusahtel.
5. Puhastage seade (vt ptk 8.1 *Üldine puhastamine* lk 650).
6. Kinnitage liikuvad osad (tassialus jne) sobiva kleeplindiga.
7. Pakkige seade.

### 10.3 Seadme kasutusest kõrvaldamine



Selle sümboliga tähistatud seadmetele kehtib Euroopa direktiiv 2002/96/EÜ WEEE (Waste Electrical and Electronic Equipment, elektri- ja elektroonikaseadmete jäätmed).

Elektrilised seadmed ei kuulu olmeprügisse.

- Kõrvaldage seade keskkonnasäästlikult sobiva kogumissüsteemi kaudu.

## 11 Tehnilised andmed

Tehnilised andmed	
Tööpinge	220 V kuni 240 V, 50 Hz
Energiatarve	max.1450 W
Pumba rõhk	Staatiline, max.15 bar
Möödud	
Laius	253 mm
Kõrgus	390 mm
Sügavus	380 mm
Maht	
Übade mahuti	125 g
Veepaak	1,2 l
Väljastatava joogi kogus	25 ml kuni 220 ml
Kaal (tühjana)	8,3 kg
Keskkonnaningimused	
Temperatuur	10 °C kuni 32 °C
Suhteline õhuniiskus	30 % kuni 80 % (mittekondenseeruv)

Vee kareduse vahemik	°d	°e	°f
Pehme	0 kuni 10	0 kuni 13	0 kuni 18
Keskmine	10 kuni 15	13 kuni 19	18 kuni 27
Kare	15 kuni 20	19 kuni 25	27 kuni 36
Väga kare	>20	>25	>36



Tehase seadistused		
Espresso	Joogi kogus	40 ml
	Kohvi kangus	Kange
	Kohvivalmistamistempe- ratuur	Normaalne
Café Crème	Joogi kogus	120 ml
	Kohvi kangus	Kange
	Kohvivalmistamistempe- ratuur	Normaalne
Cappuccino	Joogi kogus	130 ml
	Kohvi kangus	Kange
	Kohvivalmistamistempe- ratuur	Normaalne
Latte Macchiato	Joogi kogus	190 ml
	Kohvi kangus	Kange
	Kohvivalmistamistempe- ratuur	Normaalne
Piim	Vahu kogus	180 ml
	Piima kogus	180 ml
Kuum vesi	Joogi kogus	180 ml

# Saturs

<b>1</b>	<b>Jūsu drošībai .....</b>	<b>665</b>
1.1	Noteikumiem atbilstoša lietošana .....	665
1.2	Elektriskās strāvas trieciena risks .....	666
1.3	Apdedzināšanas un applaucēšanās risks .....	666
1.4	Vispārējā drošība .....	667
<b>2</b>	<b>Ierīces pārskats .....</b>	<b>668</b>
2.1	Ierīces sīkākā pārskats .....	668
2.2	Vadības paneļa sīkākā pārskats .....	670
<b>3</b>	<b>Pirmie soļi .....</b>	<b>671</b>
3.1	Ierīces izpakošana .....	671
3.2	Piegādes komplektācijas pārbaude .....	671
3.3	Ierīces uzstādīšana .....	672
3.4	Ierīces pieslēgšana .....	672
3.5	Ierīces ieslēgšana pirmo reizi .....	672
<b>4</b>	<b>Pamata vadība .....</b>	<b>674</b>
4.1	Ierīces ieslēgšana un izslēgšana .....	674
4.2	Vadības paneļa lietošana .....	675
4.3	Pārvietošanās izvēlnē .....	675
4.4	Kafijas pupiņu iepilde pupiņu tvertnē .....	677
4.5	Ūdens uzpilde .....	678
4.6	Izplūdes iestatīšana .....	679
4.7	Piena lietošana .....	680
4.8	Pilienu savākšanas trauka un kafijas biežumu tvertnes iztukšošana .....	682
<b>5</b>	<b>Dzērienu pagatavošana .....</b>	<b>683</b>
5.1	Espresso vai Café Crème pagatavošana .....	683
5.2	Cappuccino gatavošana .....	684
5.3	Latte Macchiato gatavošana .....	684
5.4	Piena putu vai silta piena sagatavošana .....	685
5.5	Karsta ūdens sagatavošana .....	685
5.6	Citu īpašu dzērienu ar receptēm pagatavošana .....	685
5.7	Dzērienu iestatījumu mainīšana pirms pagatavošanas un tās laikā .....	687
5.8	Dzēriena pagatavošanas pārtraukšana .....	688
5.9	Divu dzērienu vienlaicīga pagatavošana .....	688
<b>6</b>	<b>Dzērienu iestatījumu pastāvīga mainīšana .....</b>	<b>689</b>
6.1	Noklusējuma iestatījumu mainīšana .....	689

<b>7</b>	<b>Pamatiestatījumu rediģēšana .....</b>	<b>690</b>
7.1	Valodas iestatīšana .....	690
7.2	Automātiskās izslēgšanās iestatīšana .....	690
7.3	Enerģijas taupīšanas režīma iestatīšana .....	691
7.4	Ierīces rūpnīcas iestatījumu atiestatīšana .....	691
7.5	Informācija par ierīces statusu .....	692
7.6	Maluma pakāpes iestatīšana.....	693
<b>8</b>	<b>Kopšana un apkope .....</b>	<b>694</b>
8.1	Vispārīga tīrīšana.....	694
8.2	Kafijas sistēmas skalošana .....	694
8.3	Gatavošanas mezgla noņemšana un tīrīšana .....	695
8.4	"Easy Cleaning" (Vienkāršās tīrīšanas) programmas izmantošana.....	696
8.5	Programmas „Piena sistēmas tīrīšana“ lietošana.....	697
8.6	"Cleaning coffee system" (Kafijas sistēmas tīrīšanas) programmas lietošana .....	698
8.7	"Descaling" (Atkaļķošanas) programmas lietošana .....	699
8.8	Ūdens cietības iestatīšana .....	700
8.9	Ūdens filtra izmantošana .....	701
<b>9</b>	<b>Traucējumi .....</b>	<b>703</b>
<b>10</b>	<b>Transportēšana, glabāšana un utilizēšana .....</b>	<b>704</b>
10.1	Tvaika izpūšana no ierīces .....	704
10.2	Ierīces transportēšana.....	704
10.3	Ierīces utilizēšana .....	705
<b>11</b>	<b>Tehniskie dati .....</b>	<b>705</b>

## Cien. kliente, god. klient!

Liels paldies, ka izlēmāt iegādāties kafijas automātu Melitta® Passione® OT.

Šī lietošanas instrukcija jums palīdzēs iepazīt ierīces daudzpusīgās iespējas un gūt vislabāko kafijas baudījumu.

Rūpīgi izlasiet šo lietošanas instrukciju. Šādi izvairīsieties no traumās un mantiskajiem bojājumiem. Glabājiet šo lietošanas instrukciju rūpīgi. Nododot ierīci citām personām, dodiet līdzi arī lietošanas instrukciju.

Uzņēmums Melitta neuzņemas atbildību par bojājumiem, kas radušies neievērojot šo lietošanas instrukciju.

Ja jums nepieciešama papildu informācija vai arī ir radušies jautājumi par ierīci, sazinieties ar Melitta vai apmeklējiet mūsu vietni internetā:  
[www.international.melitta.de](http://www.international.melitta.de)

Mēs vēlam jums daudz prieka ar savu ierīci.

## 1 Jūsu drošībai

**CE** Ierīce atbilst spēkā esošajā Eiropas direktīvām un ir ražota atbilstoši jaunākajiem tehnikas standartiem. Tomēr ir atlikušie riski.

Lai izvairītos no riskiem, ievērojiet drošības norādījumus. Uzņēmums Melitta neuzņemas atbildību par bojājumiem, kas radušies neievērojot drošības norādījumus.

### 1.1 Noteikumiem atbilstoša lietošana

Ierīce tiek izmantota, lai pagatavotu dzērienus no kafijas pupiņām un lai uzsildītu pienu un ūdeni.

Ierīce ir paredzēta lietošanai privātā māsaimniecībā.

Cits izmantošanas veids neatbilst noteikumiem un tas var radīt traumas un mantiskos bojājumus. Melitta neatbild par bojājumiem, kas ir radušies, ierīci lietojot neatbilstoši noteikumiem.

## 1.2 Elektriskās strāvas trieciena risks

Ja ierīce vai barošanas kabelis ir bojāts, iespējami draudi dzīvībai, ko rada strāvas trieciens.

Ievērojiet šos drošības norādījumus, lai izvairītos no apdraudējumiem, ko rada elektriskā strāva:

- Neizmantojiet bojātu barošanas kabeli.
- Lūdziet bojāto barošanas kabeli nomainīt ražotājam, tā klientu apkalpošanas dienestā vai tā servisa partnerim.
- Neatskrūvējiet pievilktus ierīces korpusa vākus.
- Izmantojiet ierīci tikai tad, ja tā ir nevainojamā tehniskā stāvoklī.
- Bojātu ierīci atļauts remontēt tikai sertificētā servisā. Nemēģiniet ierīci labot pats.
- Neveiciet ierīces, tās sastāvdaļu un piederumu izmaiņas.
- Negremdējiet ierīci ūdenī.
- Nodrošiniet, lai tīkla kabelis nenonāku saskarē ar ūdeni.

## 1.3 Apdedzināšanas un applaucēšanās risks

Izplūstošie šķidrumi un tvaiki var būt ļoti karsti. Arī ierīces daļas kļūst karstas.

Ievērojiet šos drošības norādījumus, lai izvairītos no applaucējumiem un apdegumiem:

- Uzmanieties, lai izplūstošie šķidrumi un tvaiku neskartos ar ādu:
- Nepieskarieties uzgaļiem pie izplūdes caurules dzēriena pagatavošanas laikā un uzreiz pēc tās. Uzgaidiet, līdz komponenti ir atdzisuši.

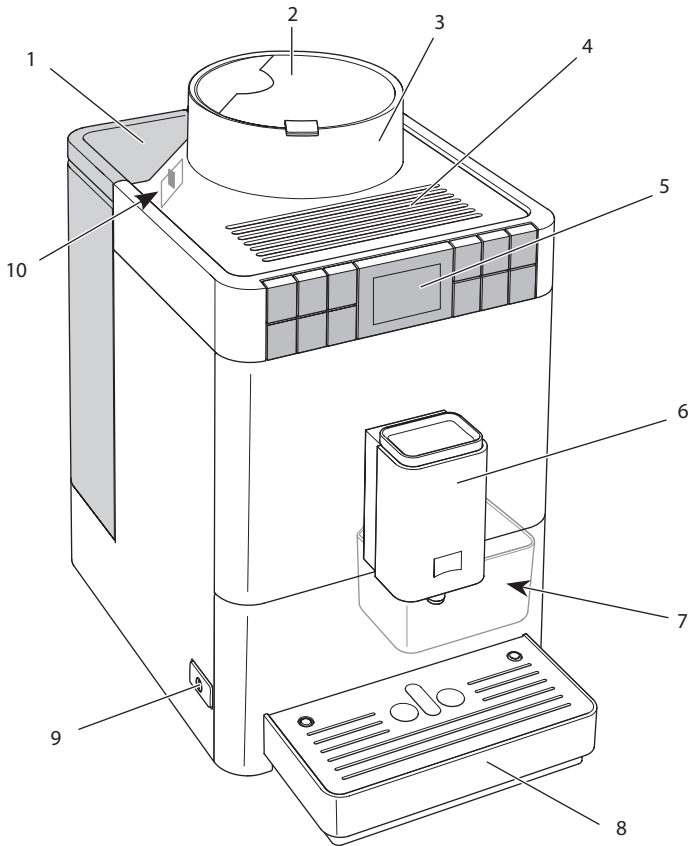
## 1.4 Vispārējā drošība

Ievērojiet šos drošības norādījumus, lai izvairītos no traumām un mantiskajiem bojājumiem:

- Nelietojiet ierīci skapī vai līdzīgā vietā.
- Darbības laikā neievietojiet rokas ierīces iekšpusē.
- Uzturiet ierīci un tās elektrības kabeli drošā attālumā no bērniem, kas jaunāki par 8 gadiem.
- Bērni, kuri ir jaunāki par 8 gadu vecumu, personas ar ierobežotām fiziskajām, garīgajām vai uztveres spējām vai nepietiekamu pieredzi un zināšanām drīkst lietot ierīci tikai kompetentas personas uzraudzībā, pēc tam, kad ir apmācītas, kā droši strādāt ar ierīci, un izpratušas ar to saistītos riskus.
- Bērni nedrīkst spēlēties ar ierīci. Tīrīšanu un apkopi nedrīkst veikt bērni, kas ir jaunāki par 8 gadu vecumu. Tīrīšanu un apkopi veicot bērniem, kas ir vecāki par 8 gadu vecumu, viņus nepieciešams uzraudzīt.
- Atvienojiet ierīci no barošanas, ja tā ilgāku laiku netiek pieskatīta.
- Ierīci aizliegts lietot augstumā, kas pārsniedz 2000 m virs jūras līmeņa.
- Veicot ierīces un tās sastāvdaļu tīrīšanu, ievērojiet atbilstošajā nodaļā esošās norādes (*Kopšana un apkope* 694 lpp.).

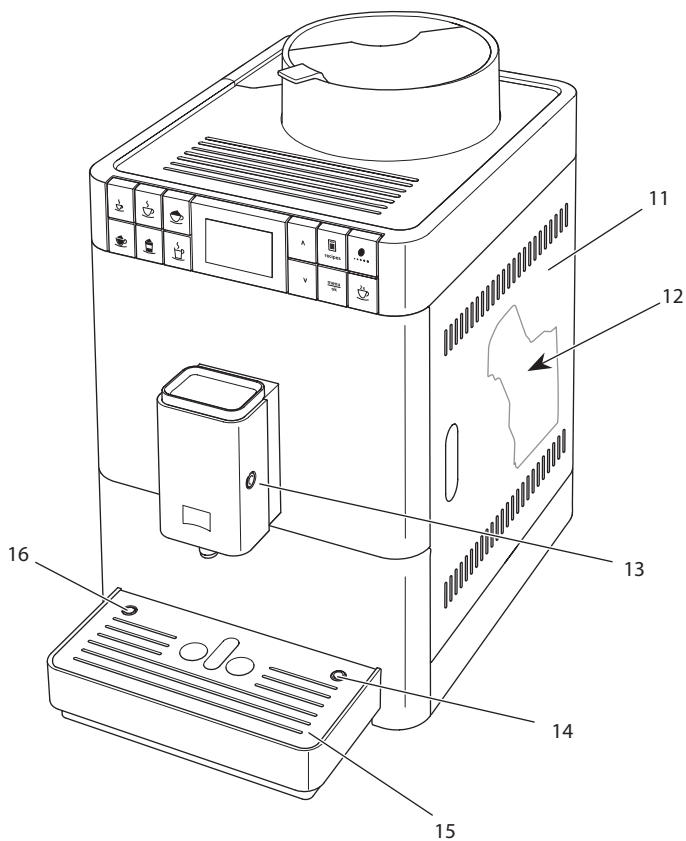
## 2 Ierīces pārskats

### 2.1 Ierīces sīkākā pārskats



Att. 1: Ierīce no priekšpuses, kreisā pusē

- |                              |   |
|------------------------------|---|
| 1 Ūdens tvertne ar vāku      | 6 Augstumā regulējama izplūdes caurule ar 2 kafijas uzgaliem, 1 piena uzgali, 1 karstā ūdens uzgali, tasītes apgaismojumu |
| 2 Pupiņu konteinera vāks     | 7 Kafijas biežumu tvertne (iekšpusē)  |
| 3 Kafijas pupiņu tvertne     | 8 Pilienu savākšanas trauks   |
| 4 Vieta tasītes novietošanai | 9 Taustiņš "Iesl./Izsl."  |
| 5 Vadības panelis            | 10 "Maļšanas smalkuma regulēšanas" svira (iekšējā)  |

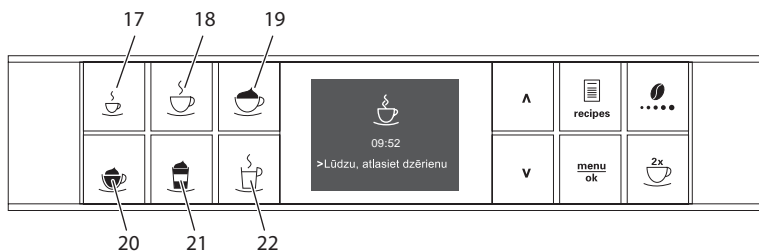


Att. 2: Ierīce no priekšpuses, labā puse

- |   |   |
|---|---|
| 11 Vāks                                 | 14 Piena šļūtenes pieslēgums pie<br>pilienu savākšanas trauka |
| 12 Gatavošanas mezgls (iekšējais)       | 15 Tasišu plāksne   |
| 13 Piena šļūtenes pieslēgums<br>izplūdē | 16 Pludiņš  |

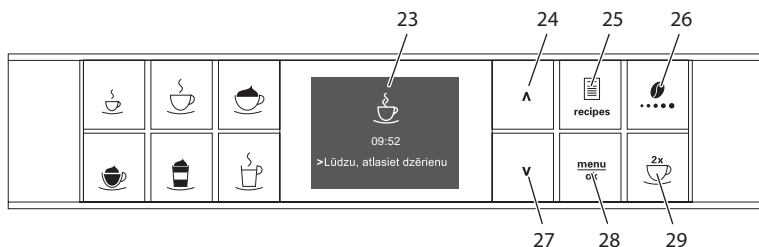


## 2.2 Vadības paneļa sīkākā pārskats



Att. 3: Dzērienu taustiņi

Poz.	Nosaukums	Funkcija
17	Espresso	Espresso gatavošana
18	Café Crème	Café Crème gatavošana
19	Cappuccino	Cappuccino gatavošana
20	Piena putas/silts piens	Piena putu un silta piena pagatavošana
21	Latte Macchiato	Latte Macchiato gatavošana
22	Karsts ūdens	Karsta ūdens sagatavošana



Att. 4: Displejs un vadības taustiņi

Poz.	Nosaukums	Funkcija
23	Displejs	Aktuālo izvērņu un ziņojumu attēlošana Piemērs: gatavības rādījums
24	Bultiņas taustiņš Uz augšu	Pārvietošanās izvēlnē uz augšu vai daudzuma palielināšana
25	Receptes	Recepšu atlasīšana un pagatavošana
26	Kafijas stiprums	Kafijas stipruma iestatīšana
27	Bultiņas taustiņš Uz leju	Pārvietošanās izvēlnē uz leju vai daudzuma samazināšana
28	menu/ok	Izvēlnes atvēršana vai ievades apstiprināšana
29	Divas tasītes	Dzēriens divās tasēs

## 3 Pirmie soļi

Šajā nodaļā ir aprakstīts, kā varat sagatavot savu ierīci lietošanai.

### 3.1 Ierīces izpakošana

Neskaitot ierīci, iepakojumā ir arī citi piederumi, piemēram, tīrīšanas instrumenti un līdzekļi.

#### **⚠ UZMANĪBU**

**Kontakts ar tīrīšanas līdzekļiem var radīt acu un ādas kairinājumus.**

- Glabājiet komplektā esošos tīrīšanas līdzekļus bērniem nepieejamā vietā.
- Izpakoiet ierīci. Noņemiet no ierīces iepakojuma materiālu, uzlīmētās līmlentes un aizsargplēves.
- Glabājiet iepakojuma materiālu transportēšanas vajadzībām un iespējamai atgriešanai.

#### **i Informācija**

Ierīcē var būt kafijas un ūdens atlikumi. Ierīcei rūpnīcā ir veikta darbības pārbaude.

### 3.2 Piegādes komplektācijas pārbaude

Ar turpmāk tekstā esošā saraksta palīdzību pārbaudiet piegādes komplektāciju. Ja kāda daļa nav piegādāta, sazinieties ar savu tirgotāju.

- piena konteiners ar īsu piena cauruli,
- gara piena caurule,
- tīrīšanas birste,
- pārbaudes sloksnes ūdens cietības noteikšanai.

### 3.3 Ierīces uzstādīšana

Ievērojiet tālāk norādītās instrukcijas:

- Nenovietojiet ierīci mitrās telpās.
- Novietojiet ierīci uz stabilas, līdzenas un sausas virsmas.
- Nenovietojiet ierīci izlietnes vai līdzīgu vietu tuvumā.
- Nenovietojiet ierīci uz karstām virsmām.
- Ievērojiet pienācīgu attālumu līdz sienām vai citiem priekšmetiem (aptuveni 10 cm). Attālumam uz augšu būtu jābūt vismaz 20 cm.
- Novietojiet barošanas kabeli tā, lai to nevarētu sabojāt stūri vai karstas virsmas.

### 3.4 Ierīces pieslēgšana

Ievērojiet šādas norādes:

- Nodrošiniet, lai barošanas spriegums sakrīt ar darba spriegumu, kas ir norādīts tehniskajos datos (skatiet tabulu *Tehniskie dati* 705 lpp.).
- Pieslēdziet ierīci tikai noteikumiem atbilstoši instalētai kontaktligzdai ar drošinātāju. Šaubu gadījumā sazinieties ar elektriķi.
- Aizsardzības kontaktligzdai ir jābūt aprīkotai vismaz ar 10 A drošinātāju.

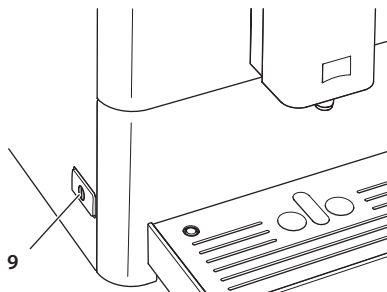
### 3.5 Ierīces ieslēgšana pirmo reizi

Pirmās ekspluatācijas reizes laikā varat iestatīt valodu un ūdens cietību. Šos iestatījumus varat veikt arī vēlāk (skatiet nodaļu 7 *Pamatiestatījumu rediģēšana* 690 lpp. un nodaļu 8.8 *Ūdens cietības iestatīšana* 700 lpp.).

Ūdens cietības noteikšanai izmantojiet pievienoto testa sloksni. Ievērojiet instrukcijas uz testa sloksnes iepakojuma un tabulā *Ūdens cietības diapazons* 705 lpp..

#### Informācija

- Mēs iesakām pirmās divas kafijas tases pēc pirmās ekspluatācijas reizes izliet.
- Ja vēlaties izmantot ūdens filtru, ievietojiet to tikai pēc pirmās ieslēgšanas reizes.



Att. 5: Taustiņš "Iesl./Izsl."

**Priekšnoteikums:** ierīce ir uzstādīta pieslēgta.

1. Novietojiet zem izplūdes trauku.
2. Nospiediet taustiņu "Iesl./Izsl."
  - » Displejā parādās sveiciens teksts.
  - » Parādās aicinājums veikt iestatišanu: *Please Setup the machine.*
3. Apstipriniet ar "menu/ok".
  - » Atveras izvēlne *Language*.
4. Atlasiet ar bultiņu taustiņiem savu valodu. Apstipriniet ar "menu/ok".
  - » Atveras izvēlne *Ūdens cietība*.
5. Atlasiet ar bultiņu taustiņiem noteikto ūdens cietības diapazonu vai apstipriniet ar "menu/ok" noklusējuma vērtību.
  - » Atveras aicinājums *Lūdzu, uzpildiet ūdens tvertni un ievietojiet to.*
6. Izņemiet ūdens tvertni. Izskalojiet ūdens tvertni ar tīru ūdeni. Iepildiet ūdens tvertnē svaigu ūdeni un ievietojiet to.
  - » Ierīce uzsilst un automātiski veic skalošanu.
  - » Displejā parādās gatavības rādījums.
7. Iepildiet pupiņu tvertnē kafijas pupiņas. Lai to izdarītu, izlasiet nodaļu 4.4 *Kafijas pupiņu iepilde pupiņu tvertnē 677 lpp.*
  - » Ja nepieciešams, tagad var tikt ievietots ūdens filtrs (skatiet nodaļu 8.9 *Ūdens filtra izmantošana 701 lpp.*).

## 4 Pamata vadība

Šajā nodaļā ir aprakstīti ierīces lietošanas pamata vadības soļi.

### 4.1 Ierīces ieslēgšana un izslēgšana

Pirms ierīces pirmās ekspluatācijas reizes izlasiet nodaļu 3.5 *Ierīces ieslēgšana pirmo reizi* 672 lpp..

#### Informācija

- Ierīces ieslēgšanas un izslēgšanas laikā tā automātiski veic skalošanu.
- Skalošanas laikā skalošanas ūdens tiek novadīts arī pilienu savākšanas traukā.

#### Ierīces ieslēgšana

1. Novietojiet zem izplūdes trauku.
2. Nospiediet taustiņu "Iesl./Izsl." (9).
  - » Displejā parādās sveiciens teksts.
  - » Ierīce uzsilst un automātiski veic skalošanu.
- » Displejā parādās gatavības rādījums.

#### Informācija

Ja ierīce tika izslēgta tikai uz īsu laiku, tad pēc ieslēgšanas netiks veikta automātiskā skalošana.

#### Ierīces izslēgšana

1. Novietojiet zem izplūdes trauku.
2. Nospiediet taustiņu "Iesl./Izsl." (9).
  - » Ierīce automātiski veic skalošanu.
- » Ierīce izslēdzas.

#### Informācija

- Ierīce automātiski izslēdzas, ja tā ilgāku laiku netiek lietota. Arī šajā gadījumā tiek veikta automātiska skalošana.
- Izslēgšanas laiku varat iestatīt izvēlnē *Automātiskā izslēgšana*, skatiet nodaļu 7.2 *Automātiskās izslēgšanās iestatīšana* 690 lpp..
- Ja kopš ieslēgšanas neesat sagatavojis nevienu dzērienu vai ūdens tvertne ir tukša, skalošana netiek veikta.

## 4.2 Vadības paneļa lietošana

Svarīgākās programmas iespējams atvērt, izmantojot vadības paneli.

Nospiediet vēlamu taustiņu. Izmantojiet šādas darbības taustiņu vadīšanai:



### Nedaudz nospiediet

Īsu brīdi nospiediet vadības taustiņu, lai atlasītu kādu programmu.



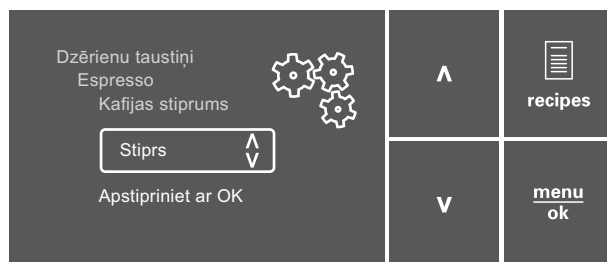
### Ilgi turiet nospiestu

Turiet nospiestu vadības taustiņu ilgāk par 2 sekundēm, lai atlasītu kādu esošu otru programmu.

## 4.3 Pārvietošanās izvēlnē

Lai iestatītu individuālus dzērienu un lai veiktu apkopi un kopšanu, displejā atveriet izvēlni un pārvietojieties tajā.

Ievērojiet šādas norādes displejā:



Att. 6: Displejs (piemērs) un taustiņi navigācijai

Izmantojiet tālāk norādītās opcijas, lai veiktu navigāciju izvēlnē:

### Izvēlnes atvēršana vai izvēles apstiprināšana




Turiet nospiestu taustiņu "menu/ok" ilgāk nekā 2 sekundes, lai atvērtu izvēlni.

Nedaudz nospiediet taustiņu "menu/ok", lai apstiprinātu savi izvēli.

## Navigācijas veikšana izvēlnē vai skaitliskas vērtības izmaiņšana

- V** **▲** Nospiediet bultiņu taustiņus, lai pārvietotos izvēlnē uz leju vai uz augšu.
- Nospiediet bultiņu taustiņus, lai palielinātu vai samazinātu skaitlisku vērtību.
- Nospiediet un pieturiet bultu taustiņu, lai ātrāk sasniegtu vēlamu pozīciju vai skaitlisko vērtību.

## Iziešana no izvēlnē

- Exit**  Atlasiet ar bultiņu taustiņiem komandu *Exit* un apstipriniet ar taustiņu "menu/ok", lai izietu no izvēlnes.
- Izejiet no apakšizvēlnēm, kurās ir dota tikai informācija un kurās nevarat veikt nekādus iestatījumus, nospiežot "menu/ok".

## Apakšizvēlņu atvēršana

Dažām ierīces programmām varat piekļūt, pēc kārtas atverot vairākas apakšizvēlnes.

Apakšizvēlņu atvēršana vienmēr ir līdzīga. Piemērā ir aprakstīta *Atkaļķošana* atvēršana.



Att. 7: Navigācija uz programmu *Atkaļķošana*

1. Turiet nospiestu taustiņu "menu/ok" ilgāk nekā 2 sekundes.
  - » Displejā atveras izvēlnē.
2. Atlasiet ar bultiņu taustiņiem *Kopšana* un apstipriniet ar taustiņu "menu/ok".
3. Atlasiet ar bultiņu taustiņiem *Atkaļķošana* un apstipriniet ar taustiņu "menu/ok".

Programmas atlasīšana šajā lietošanas instrukcijā vienmēr tiek attēlota saīsināti:

- Atveriet izvēlni *Kopšana > Atkaļķošana*.

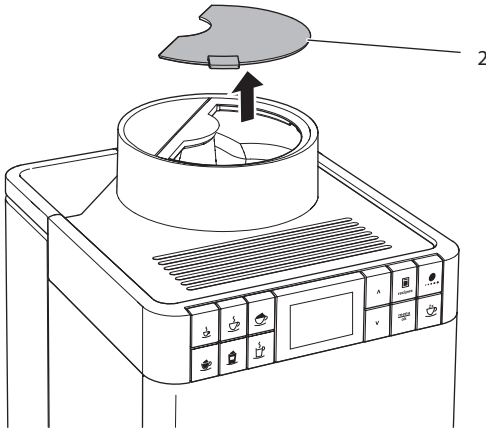
## 4.4 Kafijas pupiņu iepilde pupiņu tvertnē

Graudzētas kafijas pupiņas zaudē savu aromātu. Iepildiet pupiņu tvertnē tikai tik daudz kafijas pupiņu, cik varat izlietot tuvākajās 3 - 4 dienās.

### UZMANĪBU

**Izmantojot nepiemērotus kafijas veidus, iespējama dzirnaviņu salipšana.**

- Neizmantojiet sublimētas vai karamelizētas kafijas pupiņas.
- Neizmantojiet šķīstošo kafiju vai ātri pagatavojamos produktus.



Att. 8: Pupiņu konteineru vāka atvēršana

1. Atveriet kafijas pupiņu tvertnes (2) vāku.
2. Iepildiet pupiņu tvertnē kafijas pupiņas.
3. Aizveriet kafijas pupiņu tvertnes vāku.

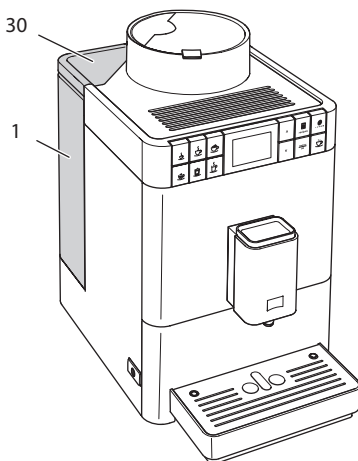


## 4.5 Ūdens uzpilde

Lai nodrošinātu vislabāko kafijas baudījumu, izmantojiet tikai svaigu, aukstu ūdeni bez ogļskābās gāzes. Mainiet ūdeni katru dienu.

### Informācija

Ūdens kvalitāte būtiski ietekmē kafijas garšu. Tādēļ izmantojiet ūdens filtru (skatiet nodaļu 8.8 *Ūdens cietības iestatīšana* 700 lpp. un nodaļu 8.9 *Ūdens filtra izmantošana* 701 lpp.).

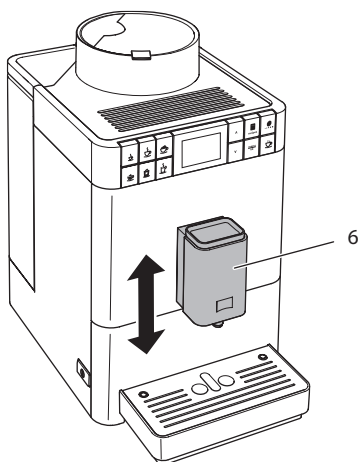


Att. 9: Ūdens tvertne

1. Atveriet ūdens tvertnes vāku (30) un aiz roktura virzienā uz augšu izņemiet ūdens tvertni (1) no ierīces.
2. Iepildiet ūdens tvertnē ūdeni.
3. No augšpuses ievietojiet ūdens tvertni ierīcē un aizveriet vāku.

## 4.6 Izplūdes iestatīšana

Izplūdes(6) augstums ir iestatāms. Iestatiet pēc iespējas mazāku attālumu starp izplūdi un trauku. Atkarībā no trauka izmēra, pārvietojiet izplūdi uz augšu vai uz leju.

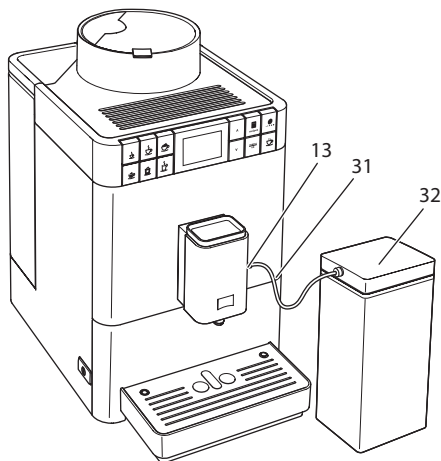


Att. 10: Izplūdes iestatīšana

## 4.7 Piena lietošana

Lai nodrošinātu vislabāko kafijas baudījumu, izmantojiet tikai atdzesētu pienu. Atkarībā no ierīces versijas izmantojiet vai nu garo komplektā iekļauto piena cauruli vai piena tvertni.

### Piena tvertnes pieslēgšana



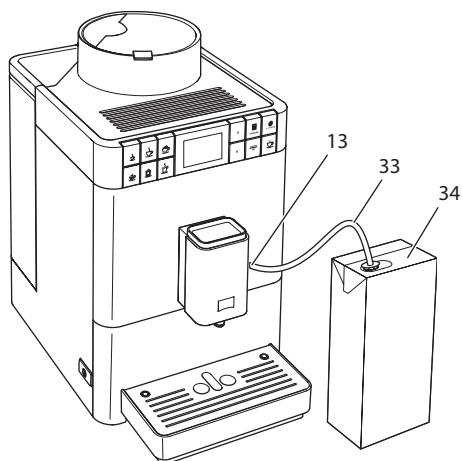
Att. 11: Pieslēgta piena tvertne

1. Savienojiet piena šļūteni (31) ar izplūdes pieslēgumu (13).
2. Pievienojiet piena caurules brīvo galu piena konteineram (32).

#### Informācija

ievietojiet uzpildīto piena tvertni ledusskapī.

## Piena pakas pievienošana



Att. 12: Pievienota veikalā pieejamā piena paka

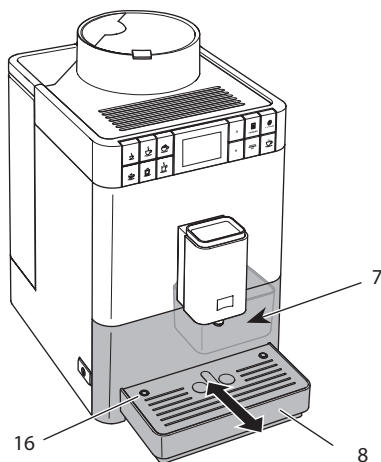
1. Savienojiet garo piena šļūteni (33) ar izplūdes pieslēgumu (13).
2. Ievietojiet brīvo piena caurules galu veikalā pieejamajā piena pakā (34).

## 4.8 Pilienu savākšanas trauka un kafijas biežumu tvertnes iztukšošana

Pēc vairāku dzērienu pagatavošanas pilienu savākšanas trauks (8) un kafijas biežumu tvertne (7) var būt pilna. Izvirzītais pludiņš (16) pašreizējo pilienu savākšanas trauka uzpildes līmeni.

Pēc tam, kad pagatavots noteikts skaits dzērienu, ierīce arī parāda, ka pilienu savākšanas trauks un kafijas biežumu tvertne ir pilna.

Vienmēr iztukšojiet pilienu savākšanas trauku un kafijas biežumu tvertni.



Att. 13: Pilienu savākšanas trauka un kafijas biežumu tvertnes iztukšošana

1. Izņemiet pilienu savākšanas trauku (8) virzienā uz priekšu no ierīces.
2. Izņemiet kafijas biežumu tvertni (7) un iztukšojiet to.
3. Iztukšojiet pilienu savākšanas trauku.
4. Ievietojiet kafijas biežumu tvertni.
5. Iebīdiet pilienu savākšanas trauku līdz atdurei ierīcē.

### Informācija

Iztukšojot pilienu savākšanas trauku un kafijas biežumu tvertni, ierīcei esot izslēgtai, tā neregistrē šo procesu. Tādēļ iespējams, ka tiksiet aicināts iztukšot tvertnes, lai gan pilienu savākšanas trauks un kafijas biežumu tvertne vēl nav pilni.

## 5 Dzērienu pagatavošana

Dzērienu pagatavošanai ir divas iespējas:

- Standarta pagatavošana, kā aprakstīts zemāk,
- receptes izvēle un pagatavošana (skatiet nodaļu 5.6 *Citu īpašu dzērienu ar receptēm pagatavošana* 685 lpp.).

### **i** Informācija

Noklusējuma iestatījumi standarta pagatavošanai vai receptei var tikt izmainīti uz pastāvīgu laiku (skatiet nodaļu 6.1 *Noklusējuma iestatījumu mainīšana* 689 lpp.).

levērojiet:

- Ūdens tvertnē vienmēr ir jābūt pietiekamam daudzumam ūdens. Ja uzpildes līmenis ir pārāk zems, ierīce aicinās to uzpildīt.
- Pupiņu konteinerā vienmēr ir jābūt pietiekamam kafijas pupiņu daudzumam. Ja konteinerā vairs nav kafijas pupiņu, ierīce pārtrauc kafijas dzēriena pagatavošanu.
- Ierīce neuzrāda, ja piena līmenis nav pietiekams.
- Dzērienu traukiem jābūt pietiekoši lieliem (skatiet tabulu *Rūpnīcas iestatījumi* 706 lpp.).

### 5.1 Espresso vai Café Crème pagatavošana



**Priekšnoteikums:** displejā rādās gatavības rādījums.



1. Novietojiet zem izplūdes trauku.
2. Nospiediet taustiņu "Espresso" vai "Café Crème".
  - » Sākas malšanas process un dzēriena pagatavošana.
  - » Dzēriena gatavošana tiek pabeigta automātiski.
3. Izņemiet trauku.
  - » Displejā parādās gatavības rādījums.

## 5.2 Cappuccino gatavošana



**Priekšnoteikumi:** displejā rādās gatavības rādījums, un piens ir pieslēgts.

1. Novietojiet zem izplūdes trauku.
2. Nospiediet taustiņu "Cappuccino".
  - » Sākas malšanas process un kafijas pagatavošana.
  - » Kafijas gatavošana tiek pabeigta automātiski.
  - » Sākas piena padeve.
  - » Dzēriena gatavošana tiek pabeigta automātiski.
3. Izņemiet trauku.
  - » Displeja parādās *Easy Cleaning?* (OK lai sāktu).
4. Varat veikt Easy Cleaning programmu vai gatavo citus dzērienus.
  - a) Veiciet Easy Cleaning programmu. Sekojiet turpmākajām instrukcijām displejā. Informācija par to ir pieejama nodaļā 8.4 "Easy Cleaning" (*Vienkāršās tīrīšanas*) programmas izmantošana 696 lpp..
  - b) Sagatavojiet citus dzērienus un ieslēdziet Easy Cleaning programmu vēlāk.
  - » Displejā parādās gatavības rādījums.

## 5.3 Latte Macchiato gatavošana



**Priekšnoteikumi:** displejā rādās gatavības rādījums, un piens ir pieslēgts.

1. Novietojiet zem izplūdes trauku.
2. Nospiediet taustiņu „Latte Macchiato“.
  - » Sākas piena padeve.
  - » Piena gatavošana tiek pabeigta automātiski.
  - » Sākas malšanas process un kafijas pagatavošana.
  - » Dzēriena gatavošana tiek pabeigta automātiski.
3. Izņemiet trauku.
  - » Displeja parādās *Easy Cleaning?* (OK lai sāktu).
4. Varat veikt Easy Cleaning programmu vai gatavo citus dzērienus.
  - a) Veiciet Easy Cleaning programmu. Sekojiet turpmākajām instrukcijām displejā. Informācija par to ir pieejama nodaļā 8.4 "Easy Cleaning" (*Vienkāršās tīrīšanas*) programmas izmantošana 696 lpp..
  - b) Sagatavojiet citus dzērienus un ieslēdziet Easy Cleaning programmu vēlāk.
  - » Displejā parādās gatavības rādījums.

## 5.4 Piena putu vai silta piena sagatavošana



Piena putu un silta piena sagatavošana ir līdzīga.

**Priekšnoteikumi:** displejā rādās gatavības rādījums, un piens ir pieslēgts.

1. Novietojiet zem izplūdes trauku.
2. Nospiediet taustiņu "Piena putas/silts piens".
  - a) Piena putas = Nedaudz nospiediet taustiņu
  - b) Silts piens = Turiet taustiņu nospiestu (2 sekundes).
    - » Sākas piena padeve.
    - » Dzēriena gatavošana tiek pabeigta automātiski.
3. Izņemiet trauku.
  - » Displeja parādās *Easy Cleaning?* (OK lai sāktu).
4. Varat veikt Easy Cleaning programmu vai gatavo citus dzērienus.
  - a) Veiciet Easy Cleaning programmu. Sekojiet turpmākajām instrukcijām displejā. Informācija par to ir pieejama nodaļā 8.4 "Easy Cleaning" (*Vienkāršās tīrīšanas*) programmas izmantošana 696 lpp..
  - b) Sagatavojiet citus dzērienus un ieslēdziet Easy Cleaning programmu vēlāk.
  - » Displejā parādās gatavības rādījums.

## 5.5 Karsta ūdens sagatavošana



**Priekšnoteikums:** displejā rādās gatavības rādījums.

1. Novietojiet zem izplūdes trauku.
2. Nospiediet taustiņu "Karsts ūdens".
  - » Sākas karsta ūdens padeve.
  - » Dzēriena gatavošana tiek pabeigta automātiski.
3. Izņemiet trauku.
  - » Displejā parādās gatavības rādījums.

## 5.6 Citu īpašu dzērienu ar receptēm pagatavošana



Līdzās standarta dzērieniem izvēlnē *Receptes* varat atlasīt papildu dzērienu veidus. Šeit pieejamas šādas īpašās dzērienu receptes:

Īpašie dzērieni bez piena:

- Ristretto,
- Lungo,
- Americano.

Īpašie dzērieni ar pienu:

- Espresso Macchiato,
- Caffè Latte,
- Café au Lait.



## Ristretto, Lungo vai Americano pagatavošana

Ristretto, Lungo un Americano pagatavošana ir līdzīga. Piemērā ir aprakstīta Ristretto pagatavošana.

**Priekšnoteikums:** displejā rādās gatavības rādījums.

1. Novietojiet zem izplūdes trauku.
2. Ar pirksta galu nospiediet vadības taustiņu "Receptes".
  - » Displejā atveras izvēlne *Receptes*.
3. Atlasiet ar bultiņu taustiņiem *Ristretto* un apstipriniet ar taustiņu "menu/ok".
4. Apstipriniet savi izvēli ar "menu/ok".
  - » Sākas malšanas process un dzēriena pagatavošana.
  - » Dzēriena gatavošana tiek pabeigta automātiski.
5. Izņemiet trauku.
  - » Displejā parādās gatavības rādījums.

## Espresso Macchiato, Caffè Latte vai Café au Lait pagatavošana

Espresso Macchiato, Caffè Latte vai Café au Lait pagatavošana ir līdzīga. Piemērā ir aprakstīta Espresso Macchiato pagatavošana.

**Priekšnoteikumi:** displejā rādās gatavības rādījums, un piens ir pieslēgts.

1. Novietojiet zem izplūdes trauku.
2. Ar pirksta galu nospiediet vadības taustiņu "Receptes".
  - » Displejā atveras izvēlne *Receptes*.
3. Atlasiet ar bultiņu taustiņiem *Espresso Macchiato*.
4. Apstipriniet savi izvēli ar "menu/ok".
  - » Sākas malšanas process un kafijas pagatavošana.
  - » Kafijas gatavošana tiek pabeigta automātiski.
  - » Sākas piena padeve.
  - » Dzēriena gatavošana tiek pabeigta automātiski.
5. Izņemiet trauku.
  - » Displeja parādās *Easy Cleaning?* (*OK lai sāktu*).
6. Varat veikt Easy Cleaning programmu vai gatavo citus dzērienus.
  - a) Veiciet Easy Cleaning programmu. Sekojiet turpmākajām instrukcijām displejā. Informācija par to ir pieejama nodaļā 8.4 "*Easy Cleaning*" (*Vienkāršās tīrīšanas*) programmas izmantošana 696 lpp..
  - b) Sagatavojiet citus dzērienus un ieslēdziet Easy Cleaning programmu vēlāk.
  - » Displejā parādās gatavības rādījums.

## 5.7 Dzērienu iestatījumu mainīšana pirms pagatavošanas un tās laikā

Pirms dzēriena pagatavošanas un tās laikā varat mainīt dzērienu iestatījumus.

### Informācija

Šādi iestatījumi attiecas tikai uz šībrīža dzēriena gatavošanu.

### Dzērienu iestatījumu mainīšana pirms pagatavošanas

Pirms dzēriena izvēles varat izmainīt kopējo dzēriena daudzumu un kafijas stiprumu.



- Pirms dzēriena izvēles ar bultiņu taustiņiem iestatiet dzēriena daudzumu.
- Pirms dzēriena izvēles ar vadības taustiņu "Kafijas stiprums" iestatiet kafijas stiprumu.

### Informācija

- Gatavojot piena dzērienus, kopējais dzēriena daudzums tiek sadalīts iepriekš iestatītā kafijas un piena daudzuma attiecībā. Tas attiecas uz jauktiem dzērieniem, kuru sastāvā ir kafija ar pienu vai karsts ūdens.
- Nesagatavojot vienas minūtes laikā dzērienu, ierīce pārslēdzas standarta iestatījumu režīmā.

### Dzērienu iestatījumu mainīšana pagatavošanas laikā

Dzēriena gatavošanas laikā varat mainīt dzēriena daudzumu un kafijas stiprumu.



- Dzēriena (kafijas vai piena) gatavošanas laikā ar bultiņu taustiņiem iestatiet attiecīgā dzēriena daudzumu.
- Malšanas procesa laikā ar vadības taustiņu "Kafijas stiprums" iestatiet kafijas stiprumu.

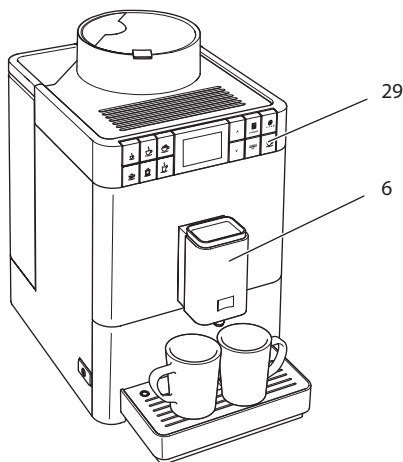
## 5.8 Dzēriena pagatavošanas pārtraukšana

Ja vēlaties priekšlaicīgi pārtraukt dzēriena sagatavošanu, atkārtoti nospiediet jebkuru dzēriena taustiņu.

## 5.9 Divu dzērienu vienlaicīga pagatavošana



Ar vadības taustiņu "divas tasītes" varat vienlaikus sagatavot divus dzērienus. Divu tasīšu pagatavošana ir iespējama tikai, pagatavojot tīru kafiju, piemēram, Espresso, Café Crème, Ristretto. Divu tasīšu pagatavošana nav iespējama, pagatavojot dzērienus, kas satur karstu ūdeni, karstu pienu, kā arī visus jauktos dzērienus.



Att. 14: Dzēriens divās tasēs

1. Novietojiet zem izplūdes (6) divus traukus.
2. Ar pirksta galu nospiediet vadības taustiņu "divas tasītes" (29).
3. Turpiniet tā, kā aprakstīts atbilstošajā dzēriena gatavošanas aprakstā.

### Informācija

- Iestatījums attiecas tikai uz vienu dzēriena gatavošanas reizi.
- Nesagatavojot vienas minūtes laikā dzērienu, ierīce pārslēdzas vienas tasītes režīmā.

## 6 Dzērienu iestatījumu pastāvīga mainīšana

Ierīce piedāvā papildu iespējas, sagatavot kafijas dzērienus. Varat izmainīt noklusējuma receptes vai pastāvīgi izmainīt dzērienu iestatījumus.

### 6.1 Noklusējuma iestatījumu mainīšana

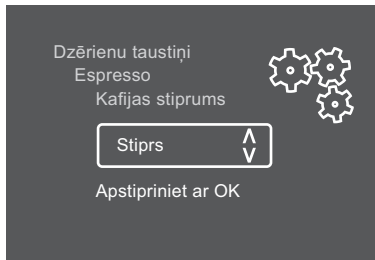
Atkarībā no dzēriena varat mainīt šādus noklusējuma iestatījumus:

- **Kafijas daudzums:** no 25 ml līdz 220 ml,
- **Piena daudzums vai piena putu daudzums:** no 25 ml līdz 220 ml,
- **Karstā ūdens daudzums:** no 25 ml līdz 220 ml,
- **Kafijas stiprums:** ļoti maiga, maiga, normāla, stipra, ļoti stipra,
- **Temperatūra:** zema, normāla, augsta.

#### Informācija

Izmainītie noklusējuma iestatījumi saglabājas līdz brīdim, kamēr tie tiek mainīti.

Dzērienu iestatījumu rediģēšana visiem dzērieniem ir līdzīga. Piemērā ir aprakstīta Espresso kafijas stipruma izmaiņšana.



Att. 15: Kafijas stipruma iestatīšana

**Priekšnoteikums:** displejā rādās gatavības rādījums.

1. Turiet nospiestu vadības taustiņu "menu/ok" ilgāk nekā 2 sekundes.
    - » Displejā atveras izvēlne.
  2. Atveriet izvēlni *Dzērienu taustiņi* > *Espresso* > *Kafijas stiprums*.
  3. Atlasiet ar bultiņu taustiņiem vēlamu kafijas stiprumu un apstipriniet ar taustiņu "menu/ok".
  4. Atkārtoti atlasiet komandu *Iziet*, lai izietu no izvēlnes.
    - » Displejā parādās gatavības rādījums.
- » Nākošajā Espresso sagatavošanas reizē tiek izmantots iestatītais kafijas stiprums.

## 7 Pamatiestatījumu rediģēšana

Turpmākajā nodaļā tiek skaidroti vadības soļi, ar kuriem iespējams izmainīt ierīces pamatiestatījumus.

### 7.1 Valodas iestatīšana

Varat iestatīt displeja tekstu valodu.

**Priekšnoteikums:** displejā rādās gatavības rādījums.

1. Turiet nospiestu vadības taustiņu "menu/ok" ilgāk nekā 2 sekundes.
  - » Displejā atveras izvēlne.
2. Atveriet izvēlni *Valoda*.
3. Atlasiet ar bultiņu taustiņiem valodu un apstipriniet ar taustiņu "menu/ok".
4. Ar komandu *Iziet* izejiet no izvēlnes.
  - » Displejā parādās gatavības rādījums.

### 7.2 Automātiskās izslēgšanās iestatīšana

Ilgāku laiku nelietojot ierīci, tā pēc iestatīta laika automātiski izslēdzas. Šo laiku varat iestatīt izvēlnē *Automātiskā izslēgšana*.

#### Automātiskās izslēgšanās laika ilguma iestatīšana

**Priekšnoteikums:** displejā rādās gatavības rādījums.

1. Turiet nospiestu vadības taustiņu "menu/ok" ilgāk nekā 2 sekundes.
  - » Displejā atveras izvēlne.
2. Atveriet izvēlni *Automātiska izslēgšanās*.
3. Atlasiet ar bultiņu taustiņiem laiku un apstipriniet ar taustiņu "menu/ok".
4. Ar komandu *Iziet* izejiet no izvēlnes.
  - » Displejā parādās gatavības rādījums.

#### Informācija

Automātisko izslēgšanos pilnībā izslēgt nav iespējams. Vēlākais 8 stundas pēc ierīces nelietošanas tā izslēdzas.

## 7.3 Energijas taupīšanas režīma iestatīšana

Energijas taupīšanas režīmā tiek samazināta sildīšanas temperatūra.

Ilgāku laiku nelietojot ierīci, tā pēc iestatīta laika automātiski pārslēdzas enerģijas taupīšanas režīmā. Tad displejā parādās uznirostošais logs *Nospiediet jebkuru pogu*. Līdzko jūs izpildiet šo prasību, enerģijas taupīšanas režīms tiek pārtraukts.

Iestatiet izvēlnē *Energijas taupīšanas režīms* laika ilgumu līdz enerģijas taupīšanas režīma ieslēgšanai.

**Priekšnoteikums:** displejā rādās gatavības rādījums.

1. Turiet nospiestu taustiņu "menu/ok" ilgāk nekā 2 sekundes.
  - » Displejā atveras izvēlne.
2. Atveriet izvēlni *Energijas taupīšanas režīms*.
3. Atlasiet ar bultiņu taustiņiem laika ilgumu un apstipriniet ar taustiņu "menu/ok".
4. Ar komandu *Iziet* izejiet no izvēlnes.
  - » Displejā parādās gatavības rādījums.

### Informācija

Energijas taupīšanas režīmu pilnībā izslēgt nav iespējams. Vēlākais 4 stundas pēc ierīces nelietošanas tā pārslēdzas enerģijas taupīšanas režīmā.

## 7.4 Ierīces rūpnīcas iestatījumu atiestatīšana

Varat atiestatīt ierīces rūpnīcas iestatījumus.

### Informācija

Atiestatot ierīces rūpnīcās iestatījumus, individuālie iestatījumi nesaglabājas.

**Priekšnoteikums:** displejā rādās gatavības rādījums.

1. Turiet nospiestu taustiņu "menu/ok" ilgāk nekā 2 sekundes.
  - » Displejā atveras izvēlne.
2. Atveriet izvēlni *Sistēma > Rūpnīcas iestatījumi*.
3. Atlasiet ar bultiņu taustiņiem *Atiestatīt* un apstipriniet ar taustiņu "menu/ok".
  - » Displejā parādās gatavības rādījums.

## 7.5 Informācija par ierīces statusu

Informācijai par ierīces statusu ir iespējams piekļūt caur izvēlni *Sistēma > Statistika*. Lai izietu no izvēlnes, nospiediet taustiņu "menu/ok".

Tālāk dotajā tabulā sniegts pārskats par informācijas nozīmi.

Informācija	Nozīme
<i>Dzērieni kopā</i>	Pagatavoto dzērienu skaits kopš iedarbināšanas.
<i>Atkalķots</i>	Veikto atkalķošanas procesu skaits.
<i>Kafijas sistēma iztīrīta</i>	Veikto tīrīšanas procesu skaits.
<i>Piena sistēma iztīrīta</i>	Veikto tīrīšanas procesu skaits.
<i>Filtrs nomainīts</i>	Veikto filtra maiņu skaits.

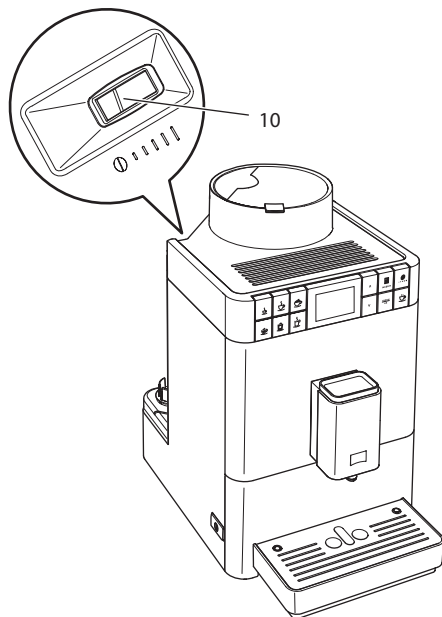
Progresu joslas parāda dzērienu skaitu, kas joprojām var tikt pagatavots, līdz ierīce pieprasīs jums veikt tīrīšanu, atkalķošanu vai filtra nomaiņu.

### Programmatūras versija

Informācija par uzstādīto programmatūras versiju ir pieejama izvēlnē *Sistēma > Programmatūras versija*. Lai izietu no izvēlnes, nospiediet taustiņu "menu/ok".

## 7.6 Maluma pakāpes iestatīšana

Maltās kafijas maluma pakāpe ietekmē kafijas garšu. Maluma pakāpe rūpnīcā ir iestatīta optimāli. Mēs iesakām noregulēt malšanas smalkumu agrākais pēc tam, kad pagatavoti aptuveni 1000 kafijas dzērieni (aptuveni 1 gads).



Att. 16: Svira malšanas smalkuma iestatīšanai

1. Izņemiet ūdens tvertni.
  - » "Malšanas smalkuma regulēšanas" svira (**10**) ir redzama uz korpusa.
2. Pārvietojiet sviru pa kreisi vai pa labi, kā parādīts Att. 16.
  - Pa kreisi = Smalkāka malšanas pakāpe
  - Pa labi = Rupjāka malšanas pakāpe
3. Atkārtoti ievietojiet ūdens tvertni.

### Informācija

- Iestatot smalkāku malšanas pakāpi, kafijas garša kļūst izteiktāka.
- Malšanas pakāpe ir iestatīta optimāli, ja kafija no izplūdes izplūst vienmērīgi un tai veidojas smalka, blīva krēmveida kārtā.



## 8 Kopšana un apkope

Pateicoties ierīces regulārai tīrīšanai un apkopei, tiek nodrošināta vienmērīgi augsta jūsu dzērienu kvalitāte.

### 8.1 Vispārīga tīrīšana

Tīriet ierīci regulāri. Nekavējoties notīriet ārējus piena un kafijas netīrumus.

#### UZMANĪBU

**Izmantojot nepiemērotus tīrīšanas līdzekļus, iespējama virsmu saskrāpēšana.**

- Neizmantojiet abrazīvas drānas, sūkļus un tīrīšanas līdzekļus.

**Priekšnoteikums:** ierīce ir izslēgta.

- Tīriet ierīci no ārpuses ar mikstu, mitru drānu un tirdzniecībā pieejamiem trauku mazgāšanas līdzekļiem.
- Izskalojiet pilienu savākšanas trauku un kafijas biežumu tvertni. To darot, izmantojiet mikstu, mitru drānu un tirdzniecībā pieejamus trauku mazgāšanas līdzekļus.
- Iztīriet kafijas pupiņu tvertni ar mikstu, sausu drānu.
- Kafijas biežumu tvertne (7), tasišu plāksne (15) un piena tvertne (bez vāka, piena šļūtenes un izplūdes caurules) ir piemērota mazgāšanai trauku mazgājamajās mašīnās.

### 8.2 Kafijas sistēmas skalošana

Skalošanas laikā tiek izskalotas izplūdes sprauslas un iekšpusē esošās kafijas sistēmas daļas. Šādi skalošanas ūdens no iekšpuses nokļūst pilienu savākšanas traukā.

Ierīces ieslēgšanas un izslēgšanas laikā tā automātiski veic skalošanu.

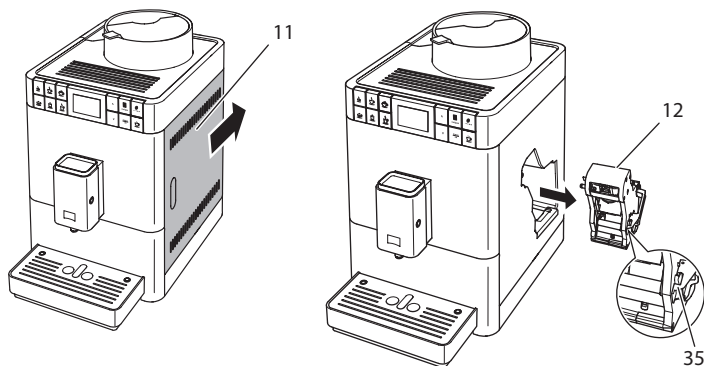
Skalošanu varat veikt arī manuāli:

**Priekšnoteikums:** displejā rādās gatavības rādījums.

1. Novietojiet zem izplūdes trauku.
2. Turiet nospiestu taustiņu "menu/ok" ilgāk nekā 2 sekundes.
  - » Displejā atveras izvēlne.
3. Atveriet izvēlni *Kopšana > Skalošana*.
  - » Ierīce automātiski veic skalošanu.
  - » Displejā parādās gatavības rādījums.

### 8.3 Gatavošanas mezgla noņemšana un tīrīšana

Lai izvairītos no ierīces bojājumiem, mēs iesakām gatavošanas mezglu tīrīt reizi nedēļā.

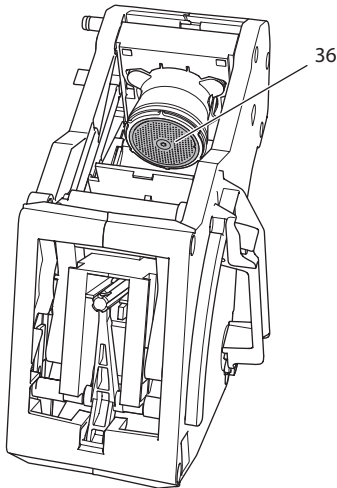


Att. 17: Gatavošanas mezgla izņemšana

**Priekšnoteikums:** ierīce ir izslēgta.

1. Atveriet vāku (11). Lai to izdarītu, satveriet padziļinājumu ierīces labajā pusē un bīdiet vāku virzienā uz aizmuguri. Noņemiet vāku.
2. Nospiediet un turiet gatavošanas mezgla (12) roktura sarkano sviru (35), un pagrieziet rokturi pulksteņa rādītāju virzienā, līdz tas galā nofiksējas.

3. Aiz roktura izņemiet gatavošanas mezglu no ierīces.



Att. 18: Gatavošanas mezgla tīrīšana

4. Zem tekoša ūdens no visām pusēm noskalojiet gatavošanas mezglu.
  - » Gatavošanas mezglā un sietā (36) nav kafijas biezumu.
5. Ļaujiet gatavošanas mezglam nožūt.
6. Ar mīkstu, sausu drānu notīriet uz ierīces iekšpusēs virsmām esošos kafijas atlikumus.
7. Ievietojiet gatavošanas mezglu ierīcē. Nospiediet un turiet gatavošanas mezgla roktura sarkano sviru, un pagrieziet rokturi pretēji pulksteņa rādītāju virzienam, līdz tas galā nofiksējas.
8. Aizveriet vāku. Lai to izdarītu, ievietojiet vāka apakšdaļu ierīcē un paceļiet vāku uz priekšu, līdz tas nofiksējas.

## 8.4 "Easy Cleaning" (Vienkāršās tīrīšanas) programmas izmantošana

Ar programmu "Easy Cleaning" tiek skalota piena sistēma.

Pēc dzēriena ar pienu pagatavošanas ierīce aicina ieslēgt Easy Cleaning programmu.

Easy Cleaning programmu varat veikt arī manuāli.

**Priekšnoteikums:** displejā rādās gatavības rādījums.

1. Novietojiet zem izplūdes trauku.
2. Turiet nospiestu taustiņu "menu/ok" ilgāk nekā 2 sekundes.
  - » Displejā atveras izvēlne.
3. Atveriet izvēlni *Kopšana > Easy Cleaning*.
4. Atlasiet ar bultiņu taustiņiem *Sākt* un apstipriniet ar taustiņu "menu/ok".
5. Sekojiet turpmākajām instrukcijām displejā līdz Easy Cleaning programmas beigām.
  - » Displejā parādās gatavības rādījums.

## 8.5 Programmas „Piena sistēmas tīrīšana” lietošana

Piena sistēmas tīrīšanai ir nepieciešams piena sistēmas tīrīšanas līdzeklis.

Higiēnas nolūkos un lai izvairītos no ierīces bojājumiem, mēs iesakām tīrīšanas programmu veikt reizi nedēļā.

Tīrīšanas programma ilgst aptuveni 3 minūtes un to nevajadzētu pārtraukt.

### UZMANĪBU

**Nepiemērotu piena sistēmas tīrīšanas līdzekļu izmantošana un apstrādes norāžu neievērošana var radīt ierīces bojājumus.**

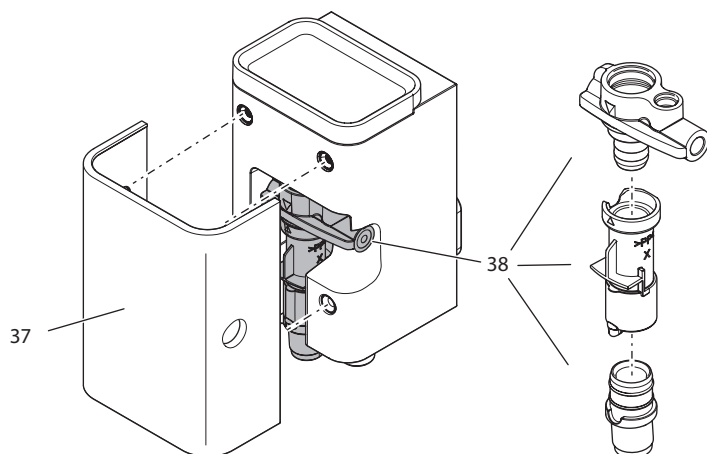
- Izmantojiet tikai Melitta® PERFECT CLEAN piena sistēmu tīrīšanas līdzekli kafijas automātiem.
- Ņemiet vērā apstrādes norādes uz piena sistēmu tīrīšanas līdzekļu iepakojuma.

**Priekšnoteikums:** displejā rādās gatavības rādījums.

1. Novietojiet zem izplūdes kafijas biežumu tvertni (7) vai vismaz 0,7 litru tilpuma trauku.
2. Turiet nospiestu taustiņu "menu/ok" ilgāk nekā 2 sekundes.
  - » Displejā atveras izvēlne.
3. Atveriet izvēlni *Kopšana > Piena sistēmas tīrīšana*.
4. Atlasiet ar bultiņu taustiņiem *Sākt* un apstipriniet ar taustiņu "menu/ok".
5. Sekojiet turpmākajām instrukcijām displejā līdz tīrīšanas programmas beigām.
  - » Displejā parādās gatavības rādījums.

## Piena mezgla tīrīšana

Papildus iesakām regulāri tīrīt piena mezglu, piena šļūteni un piena tvertni (atkarībā no modeļa).



Att. 19: Piena mezgla demontāža

Lai veiktu piena mezgla demontāžu, rīkojieties šādi:

**Priekšnoteikums:** piena caurule tiek noņemta no ierīces.

1. Izvelciet pārsegu (37) virzienā uz priekšu no izplūdes caurules.
2. Iespiediet piena ierīci (38) uz leju un izņemiet to.
3. Sadaliet piena mezglu trijās detaļās, kā parādīts augstāk.
4. Nomazgājiet atsevišķās detaļas ar siltu ūdeni. Izmantojiet komplektā esošo tīrīšanas suku, mikstu, mitru drānu un tirdzniecībā pieejamiem trauku mazgāšanas līdzekļiem.

Montāžu veiciet atbilstoši pretējā secībā.

## 8.6 "Cleaning coffee system" (Kafijas sistēmas tīrīšanas) programmas lietošana

"Kafijas sistēmas tīrīšanas" programma tiek izmantota, lai noņemtu kafijas un kafijas eļļas atlikumus, izmantojot pilnībā automātiskā kafijas automāta tīrīšanas līdzekļus.

Lai izvairītos no ierīces bojājumiem, mēs iesakām tīrīšanas programmu veikt ik pēc 2 mēnešiem - vai tad, kad ierīce lūdz to veikt.

Tīrīšanas programma ilgst aptuveni 10 minūtes un to nevajadzētu pārtraukt.

**⚠ UZMANĪBU**

**Kontakts ar kafijas automātu tīrīšanas līdzekļiem var radīt acu un ādas kairinājumus.**

- Nemiet vērā apstrādes norādes uz kafijas automātu tīrīšanas līdzekļu iepakojuma.

**UZMANĪBU**

**Nepiemērotu piena sistēmas tīrīšanas līdzekļu izmantošana var radīt ierīces bojājumus.**

- Izmantojiet tikai Melitta® PERFECT CLEAN tīrīšanas tabletes kafijas automātiem.

**Priekšnoteikums:** displejā rādās gatavības rādījums.

1. Turiet nospiestu taustiņu "menu/ok" ilgāk nekā 2 sekundes.
  - » Displejā atveras izvēlne.
2. Atveriet izvēlni *Kopšana > Kafijas sistēmas tīrīšana*.
3. Atlasiet ar bultiņu taustiņiem *Sākt* un apstipriniet ar taustiņu "menu/ok".
4. Sekojiet turpmākajām instrukcijām displejā līdz tīrīšanas programmas beigām.
  - » Displejā parādās gatavības rādījums.

## 8.7 "Descaling" (Atkaļķošanas) programmas lietošana

Izmantojot atkaļķošanas programmu ar kafijas automātu atkaļķošanas līdzekļa palīdzību tiek notīrīti kaļķa nosēdumi ierīces iekšpusē.

Lai izvairītos no ierīces bojājumiem, mēs iesakām atkaļķošanas programmu veikt ik pēc 3 mēnešiem - vai tad, kad ierīce lūdz to veikt.

Atkaļķošanas programma ilgst aptuveni 25 minūtes un to nevajadzētu pārtraukt.

**⚠ UZMANĪBU**

**Kontakts ar kafijas automātu atkaļķošanas līdzekļiem var radīt acu un ādas kairinājumus.**

- Nemiet vērā apstrādes norādes uz kafijas automātu atkaļķošanas līdzekļa iepakojuma.

**UZMANĪBU**

**Nepiemērotu atkaļķošanas līdzekļu izmantošana un apstrādes norāžu neievērošana var radīt ierīces bojājumus.**

- Izmantojiet tikai Melitta® ANTI CALC šķidro atkaļķošanas līdzekli kafijas automātiem.
- Ņemiet vērā apstrādes norādes uz kafijas automātu atkaļķošanas līdzekļa iepakojuma.

**UZMANĪBU**

**Ieskrūvēts ūdens filtrs atkaļķošanas programmas laikā var tikt bojāts.**

- Izņemiet ūdens filtru, kad ierīce to aicina darīt.
- Atkaļķošanas programmas laikā ievietojiet ūdens filtru tvertnē ar dzerramo ūdeni.
- Pēc atkaļķošanas programmas beigām varat atkārtoti ievietot ūdens filtru un izmantot to tālāk.

**Priekšnoteikums:** displejā rādās gatavības rādījums.

1. Turiet nospiestu taustiņu "menu/ok" ilgāk nekā 2 sekundes.
  - » Displejā atveras izvēlne.
2. Atveriet izvēlni *Kopšana > Atkaļķošana*.
3. Atlasiet ar bultiņu taustiņiem *Sākt* un apstipriniet ar taustiņu "menu/ok".
4. Sekojiet turpmākajām instrukcijām displejā līdz atkaļķošanas programmas beigām.
  - » Displejā parādās gatavības rādījums.

## 8.8 Ūdens cietības iestatīšana

Ūdens cietības iestatījums nosaka to, cik bieži jums tiek pieprasīts atkaļķot ierīci. Jo cietāks ūdens, jo biežāk nepieciešama ierīces atkaļķošana.

**Informācija**

Izmantojot ūdens filtru, jūs nevarat iestatīt ūdens cietību. Ūdens cietība ir automātiski iestatīta uz 1 = *Mīksts* (skatiet nodaļu 8.9 *Ūdens filtra izmantošana* 701 lpp.).

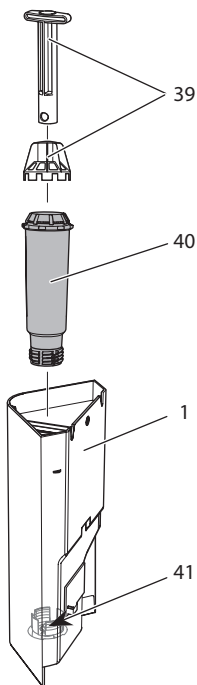
Ūdens cietības noteikšanai izmantojiet pievienoto testa sloksni. Ievērojiet instrukcijas uz testa sloksnes iepakojuma un tabulā *Ūdens cietības diapazons* 705 lpp..

**Priekšnoteikums:** displejā rādās gatavības rādījums.

1. Turiet nospiestu taustiņu "menu/ok" ilgāk nekā 2 sekundes.
  - » Displejā atveras izvēlne.
2. Ar bultiņu taustiņiem atveriet izvēlni *Ūdens cietība*.
3. Atlasiet ar bultiņu taustiņiem ūdens cietības diapazonu un apstipriniet ar taustiņu "menu/ok".
4. Ar komandu *Iziet* izejiet no izvēlnes.
  - » Displejā parādās gatavības rādījums.

## 8.9 Ūdens filtra izmantošana

Ūdens filtra izmantošana pagarina ierīces darbību un retāk ir nepieciešama ierīces atkalīdošana. Piegādes komplektā iekļautais ūdens filtrs izfiltrē no ūdens kaļķi un citas kaitīgās vielas.



Att. 20: Ūdens filtra ieskrūvēšana vai izskrūvēšana

Ar ūdens filtra (40) ieskrūvēšanas palīgmehānismu (39) ieskrūvējiet vai izskrūvējiet ūdens filtru vitnē (41) ūdens tvertnes grīdā (1).



## Ūdens filtra ievietošana

### Informācija

Dažas minūtes pirms ūdens filtra ievietošanas ievietojiet to tvertnē ar dzerramo ūdeni.

**Priekšnoteikums:** displejā rādās gatavības rādījums.

1. Turiet nospiestu taustiņu "menu/ok" ilgāk nekā 2 sekundes.
    - » Displejā atveras izvēlne.
  2. *Atveriet izvēlni Kopšana > Filtrs > Filtra ievietošana.*
  3. Atlasiet ar bultiņu taustiņiem *Sākt* un apstipriniet ar taustiņu "menu/ok".
  4. Sekojiet turpmākajām instrukcijām displejā.
    - » Ūdens cietība ir automātiski iestatīta uz *Miksts*.
- » Displejā parādās gatavības rādījums.

## Ūdens filtra nomaiņa

Nomainiet ūdens filtru, kad ierīce to aicina darīt.

**Priekšnoteikums:** displejā rādās gatavības rādījums.

1. Turiet nospiestu taustiņu "menu/ok" ilgāk nekā 2 sekundes.
    - » Displejā atveras izvēlne.
  2. *Atveriet izvēlni Kopšana > Filtrs > Filtra nomaiņa.*
  3. Atlasiet ar bultiņu taustiņiem *Sākt* un apstipriniet ar taustiņu "menu/ok".
  4. Sekojiet turpmākajām instrukcijām displejā.
- » Displejā parādās gatavības rādījums.

## Ūdens filtra izņemšana

Ūdens filtrs nedrīkst ilgu laiku būt bez ūdens. Ilgāku laiku nelietojot ūdens filtru, mēs iesakām to ievietot ūdens tvertnē un ledusskapī.

Izņemiet ūdens filtru šādi:

**Priekšnoteikums:** displejā rādās gatavības rādījums.

1. Turiet nospiestu taustiņu "menu/ok" ilgāk nekā 2 sekundes.
  - » Displejā atveras izvēlne.
2. *Atveriet izvēlni Kopšana > Filtrs > Filtra izņemšana.*
3. Atlasiet ar bultiņu taustiņiem *Sākt* un apstipriniet ar taustiņu "menu/ok".
4. Sekojiet turpmākajām instrukcijām displejā.
  - » Ūdens cietība automātiski ir iestatīta saskaņā ar iepriekšējiem iestatījumiem.
  - » Displejā parādās gatavības rādījums.
5. Atkārtoti noregulējiet ūdens cietību, ja nepieciešams (skatiet nodaļu 8.8 *Ūdens cietības iestatīšana* 700 lpp.).

## 9 Traucējumi

Ja nevarat novērst zemāk minētos traucējumus vai arī citus traucējumus, kas šeit nav doti, sazinieties ar mūsu klientu apkalpošanas dienestu (vietējais zvanu tarifs).

Servisa numuru meklējiet zem sānu vāka (11) vai mūsu vietnes sadaļā "Serviss"

Traucējums	Cēlonis	Darbība
Kafija no izplūdes tikai izpil.	Pārāk smalka maluma pakāpe.	<ul style="list-style-type: none"> <li>lestatiet rupjāku maluma pakāpi (skatiet nodaļu 7.6 693 lpp.).</li> </ul>
	Ierīce ir netīra.	<ul style="list-style-type: none"> <li>Iztīriet gatavošanas mezglu (skatiet nodaļu 8.3 695 lpp.).</li> <li>Veiciet tīrīšanas programmu (skatiet nodaļu 8.6 698 lpp.).</li> </ul>
	Ierīce ir aizkalķojusies	<ul style="list-style-type: none"> <li>Atkalķojiet ierīci (skatiet nodaļu 8.7 699 lpp.).</li> </ul>
Kafija netek.	Nav iepildīts ūdens tvertne vai arī tā nav pareizi ievietota	<ul style="list-style-type: none"> <li>Uzpildiet ūdeni un pārbaudiet tvertnes novietojumu (skatiet nodaļu 4.5 678 lpp.).</li> </ul>
	Aizsērējis gatavošanas mezgls.	<ul style="list-style-type: none"> <li>Iztīriet gatavošanas mezglu (skatiet nodaļu 8.3 695 lpp.).</li> </ul>
Displejā redzams rādījums <i>Uzpildiet pupiņas</i> , lai gan kafijas pupiņu tvertne ir uzpildīta.	Kafijas pupiņas nekrit dzirnaviņās.	<ul style="list-style-type: none"> <li>Nospiediet dzēriena taustiņu.</li> <li>Nedaudz pasītiēt kafijas pupiņu tvertni.</li> <li>Iztīriet kafijas pupiņu tvertni.</li> <li>Kafijas pupiņas ir pārāk eļļainas. Izmantojiet citas kafijas pupiņas.</li> </ul>
Dzirnaviņas darbojas skaļi.	Dzirnaviņās ir svešķermeņi.	<ul style="list-style-type: none"> <li>Sazinieties ar klientu apkalpošanas dienestu</li> </ul>
Gatavošanas mezgls pēc izņemšanas nav iespējams ievietot.	Gatavošanas mezgla fiksatora rokturis nav pareizā pozīcijā.	<ul style="list-style-type: none"> <li>Pārbaudiet, vai fiksatora rokturis ir pareizi nofiksēts (skatiet nodaļu 8.3 695 lpp.).</li> </ul>
	Piedziņa nav pareizā pozīcijā.	<ul style="list-style-type: none"> <li>Nospiediet un pieturiet taustiņu "Kafijas stiprums". Papildus nospiediet taustiņu "Iesl./Izsl.". Ierīce veic inicializēšanu. Atļaidiet taustiņus.</li> </ul>
Displejā redzams rādījums <i>Sistēmas kļūda</i> .	Programmatūras traucējums.	<ul style="list-style-type: none"> <li>Izslēdziet un atkārtoti ieslēdziet ierīci (skatiet nodaļu 4.1 674 lpp.).</li> <li>Sazinieties ar klientu apkalpošanas dienestu</li> </ul>

## 10 Transportēšana, glabāšana un utilizēšana

### 10.1 Tvaika izpūšana no ierīces

Ja ierīce ilgāku laiku netiek lietota, pirms transportēšanas un sala apdraudējuma gadījumā mēs iesakām no ierīces izpūst tvaiku.

Izpūšot tvaiku, no ierīces iztvaiko atlikušais ūdens.

**Priekšnoteikums:** displejā rādās gatavības rādījums.

1. Novietojiet zem izplūdes trauku.
2. Turiet nospiestu taustiņu "menu/ok" ilgāk nekā 2 sekundes.
  - » Displejā atveras izvēlne.
3. Atveriet izvēlni *Sistēma > Tvaika izpūšana no ierīces*.
4. Atlasiet ar bultiņu taustiņiem *Sākt* un apstipriniet ar taustiņu "menu/ok".
5. Sekojiet turpmākajām instrukcijām displejā.
  - » Ierīce izslēdzas.

### 10.2 Ierīces transportēšana

#### UZMANĪBU

**Sasalis atlikušais ūdens var radīt ierīces bojājumus.**

- Izvairieties ierīci novietot temperatūrā, kas ir zemāka nekā 0 °C.

#### Informācija

Transportējiet ierīci tikai oriģinālajā iepakojumā. Šādi varat izvairīties no transportēšanas laikā radītiem bojājumiem.

Pirms ierīces transportēšanas veiciet šādas darbības:

1. Izpūtiet tvaiku no ierīces (skatiet nodaļu 10.1 *Tvaika izpūšana no ierīces* 704 lpp.).
2. Iztukšojiet pilienu savākšanas trauku un kafijas biežumu tvertni.
3. Iztukšojiet ūdens tvertni.
4. Iztukšojiet kafijas pupiņu tvertni.
5. Iztīriet ierīci (skatiet nodaļu 8.1 *Vispārīga tīrīšana* 694 lpp.).
6. Ar piemērotu līmlenti nostipriniet brīvi novietotās detaļas (tasīšu plāksni u.t.t.).
7. Iepakojiet ierīci.

### 10.3 Ierīces utilizēšana



Ar šo simbolu apzīmētās ierīces ir pakļautas Eiropas Savienības direktīvai 2002/96/EK, kas attiecas uz WEEE (Waste Electrical and Electronic Equipment).

Elektroierīces aizliegt izmest sadzīves atkritumos.

- Utilizējiet ierīci videi draudzīgā veidā piemērotā savākšanas punktā.

## 11 Tehniskie dati

Tehniskie dati	
Darba spriegums	no 220 V līdz 240 V, 50 Hz
Strāvas patēriņš	maksimāli 1450 W
Sūkņa spiediens	statiski maksimāli 15 bar
Izmēri	
Platums	253 mm
Augstums	390 mm
Dziļums	380 mm
Tilpums	
Kafijas pupiņu tvertne	125 g
Ūdens tvertne	1,2 l
Pagatavotā dzēriena daudzums	no 25 ml līdz 220 ml
Svars (tukšs)	8,3 kg
Apkārtējās vides apstākļi	
Temperatūra	no 10 °C līdz 32 °C
Relatīvais gaisa mitrums	no 30 % līdz 80 % (nekondensējošs)

Ūdens cietības diapazons	°d	°e	°f
Miksts	no 0 līdz 10	no 0 līdz 13	no 0 līdz 18
Vidējs	no 10 līdz 15	no 13 līdz 19	no 18 līdz 27
Ciets	no 15 līdz 20	no 19 līdz 25	no 27 līdz 36
Ļoti ciets	>20	>25	>36

Rūpnīcas iestatījumi		
Espresso	Dzēriena daudzums	40 ml
	Kafijas stiprums	Stipra
	Gatavošanas temperatūra	Normāla
Café Crème	Dzēriena daudzums	120 ml
	Kafijas stiprums	Stipra
	Gatavošanas temperatūra	Normāla
Cappuccino	Dzēriena daudzums	130 ml
	Kafijas stiprums	Stipra
	Gatavošanas temperatūra	Normāla
Latte Macchiato	Dzēriena daudzums	190 ml
	Kafijas stiprums	Stipra
	Gatavošanas temperatūra	Normāla
Piens	Putu daudzums	180 ml
	Piena daudzums	180 ml
Karsts ūdens	Dzēriena daudzums	180 ml

# Obsah

<b>1</b>	<b>Pro Vaši bezpečnost.....</b>	<b>709</b>
1.1	Použití dle účelu.....	709
1.2	Nebezpečí způsobená elektrickým proudem.....	710
1.3	Nebezpečí popálení a opaření.....	710
1.4	Obecná bezpečnost.....	711
<b>2</b>	<b>Přehled přístroje.....</b>	<b>712</b>
2.1	Přehled přístroje.....	712
2.2	Přehled ovládacího pole.....	714
<b>3</b>	<b>První kroky.....</b>	<b>715</b>
3.1	Vybalení přístroje.....	715
3.2	Kontrola rozsahu dodávky.....	715
3.3	Postavení přístroje.....	716
3.4	Zapojení přístroje.....	716
3.5	První zapnutí přístroje.....	716
<b>4</b>	<b>Základní obsluha.....</b>	<b>718</b>
4.1	Zapnutí a vypnutí přístroje.....	718
4.2	Ovládání ovládacího pole.....	719
4.3	Navigování v nabídce.....	719
4.4	Naplnění kávových zrn do nádoby na kávová zrna.....	721
4.5	Nalítí vody.....	722
4.6	Nastavení výtoku.....	723
4.7	Použití mléka.....	724
4.8	Vyprázdnění odkapávací misky a nádoby na kávovou sedlinu.....	726
<b>5</b>	<b>Příprava nápojů.....</b>	<b>727</b>
5.1	Příprava espressa nebo Café Crème.....	727
5.2	Příprava Cappuccina.....	728
5.3	Příprava Latte Macchiato.....	728
5.4	Příprava mléčné pěny nebo teplého mléka.....	729
5.5	Příprava horké vody.....	729
5.6	Příprava dalších speciálních nápojů pomocí receptů.....	729
5.7	Změna nastavení nápojů před přípravou a během přípravy.....	731
5.8	Přerušení přípravy nápoje.....	732
5.9	Příprava dvou nápojů současně.....	732
<b>6</b>	<b>Trvalá změna nastavení nápojů.....</b>	<b>733</b>
6.1	Změna předchozích nastavení.....	733

<b>7</b>	<b>Změna základních nastavení.....</b>	<b>734</b>
7.1	Nastavení jazyku .....	734
7.2	Nastavení automatického vypnutí .....	734
7.3	Nastavení režimu úspory energie .....	735
7.4	Reset přístroje na nastavení ze závodu.....	735
7.5	Informace o stavu přístroje .....	736
7.6	Nastavení stupně mletí .....	737
<b>8</b>	<b>Péče a údržba .....</b>	<b>738</b>
8.1	Obecné čištění .....	738
8.2	Propláchnutí kávového systému.....	738
8.3	Vyjmutí a čištění spařovací jednotky .....	739
8.4	Použití programu „Easy Cleaning“.....	740
8.5	Použití programu „Čištění mléčného systému“ .....	741
8.6	Použití programu „Čištění kávového systému“ .....	742
8.7	Použití programu „Odvápnění“ .....	743
8.8	Nastavení tvrdosti vody.....	744
8.9	Použití vodního filtru .....	745
<b>9</b>	<b>Poruchy .....</b>	<b>747</b>
<b>10</b>	<b>Přeprava, skladování a likvidace .....</b>	<b>748</b>
10.1	Odpaření přístroje .....	748
10.2	Přeprava přístroje.....	748
10.3	Likvidace přístroje.....	749
<b>11</b>	<b>Technické údaje.....</b>	<b>749</b>

## Vážená zákaznice, vážený zákazník

děkujeme Vám, že jste se rozhodli pro zcela automatický kávovar Melitta® Passione® OT.

Návod k obsluze Vám pomůže seznámit se s různými možnostmi přístroje a zažít co nejvyšší požitek z kávy.

Přečtěte si pozorně tento návod k obsluze. Tak zabráníte zranění osob a věcným škodám. Návod k obsluze pečlivě uschovejte. V případě předání přístroje odevzdejte s ním také i tento návod k obsluze.

Společnost Melitta nepřebírá žádnou odpovědnost za škody způsobené nedodržením návodu k obsluze.

Pokud potřebujete další informace nebo máte nějaké dotazy ohledně přístroje, kontaktujte společnost Melitta nebo navštivte naše webové stránky na adrese:  
[www.melitta.cz](http://www.melitta.cz)

Přejeme Vám hodně radosti s přístrojem.

## 1 Pro Vaši bezpečnost

**CE** Přístroj je v souladu s platnými evropskými směrnicemi a je konstruován podle nejnovějšího stavu techniky. Přesto existují zbytková nebezpečí. K zabránění nebezpečí musíte dodržovat bezpečnostní pokyny. Společnost Melitta nenesे žádnou odpovědnost za škody způsobené nedodržením bezpečnostních pokynů.

### 1.1 Použití dle účelu

Přístroj se používá k přípravě kávových nápojů z kávových zrn a k ohřevu mléka a vody.

Přístroj je určen pro použití v domácnostech.

Jakékoliv jiné použití je považováno za nesprávné a může vést ke zranění osob a věcným škodám. Společnost Melitta neručí za škody způsobené nesprávným používáním přístroje.



## 1.2 Nebezpečí způsobená elektrickým proudem

Pokud je přístroj nebo síťový kabel poškozen, hrozí nebezpečí ohrožení života v důsledku úrazu elektrickým proudem.

Dodržujte následující bezpečnostní pokyny, abyste zabránili nebezpečí v důsledku zásahu elektrickým proudem:

- Nepoužívejte poškozený síťový kabel.
- Poškozený síťový kabel smí vyměnit pouze výrobce, jeho zákaznický servis nebo jeho servisní partner.
- Neotvírejte pevně přišroubované kryty z pláště přístroje.
- Přístroj používejte pouze tehdy, pokud je v technicky nezávadném stavu.
- Vadný přístroj smí opravovat pouze autorizovaná dílna. Neopravujte přístroj sami.
- Neprovádějte žádné změny na přístroji, na jeho součástech a příslušenství.
- Neponořujte přístroj do vody.
- Nedovolte, aby síťový kabel přišel do styku s vodou.

## 1.3 Nebezpečí popálení a opaření

Vytékající kapaliny a unikající páry mohou být velmi horké. Díly přístroje jsou také velmi horké.

K zabránění opaření a popáleninám dodržujte následující bezpečnostní pokyny:

- Zabraňte kontaktu pokožky s unikajícími kapalinami a výpary.
- Nedotýkejte se trysek na výtoku během a bezprostředně po odběru nápoje. Vyčkejte, až se součásti ochladí.

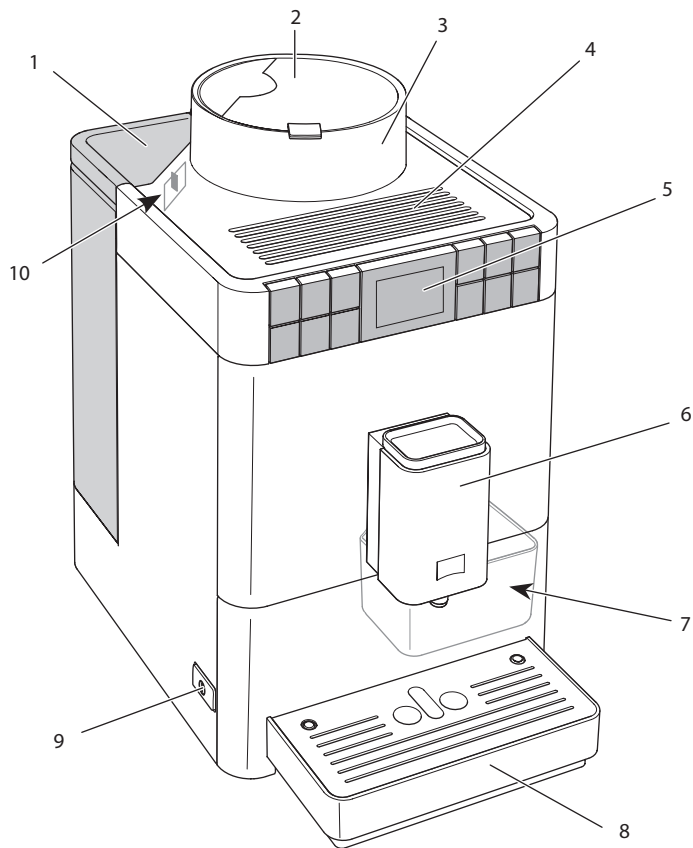
## 1.4 Obecná bezpečnost

K zabránění zranění osob a věcným škodám dodržujte následující bezpečnostní pokyny:

- Neprovozujte přístroj ve skříňce nebo podobném.
- Během provozu nesahejte do vnitřku přístroje.
- Uchovávejte přístroj a jeho síťový kabel mimo dosah dětí mladších než 8 let.
- Tento přístroj smí používat děti ve věku od 8 let nebo osoby se sníženými fyzickými, smyslovými nebo duševními schopnostmi nebo nedostatečnými zkušenostmi a znalostmi, pokud jsou pod dohledem nebo pokud byly poučeni o bezpečném používání přístroje a porozuměly z toho vyplývajícím nebezpečím.
- Děti si nesmí hrát s přístrojem. Čištění a údržbu nesmí provádět děti mladší než 8 let. Děti starší než 8 let musí být při čištění a údržbě pod dohledem.
- Odpojte přístroj od napájení proudem, pokud je ponechán bez dozoru delší dobu.
- Přístroj se nesmí provozovat v nadmořských výškách nad 2000 m.
- Při čištění přístroje a jeho součástí dodržujte pokyny, uvedené v příslušné kapitole (*Péče a údržba* viz strana 738).

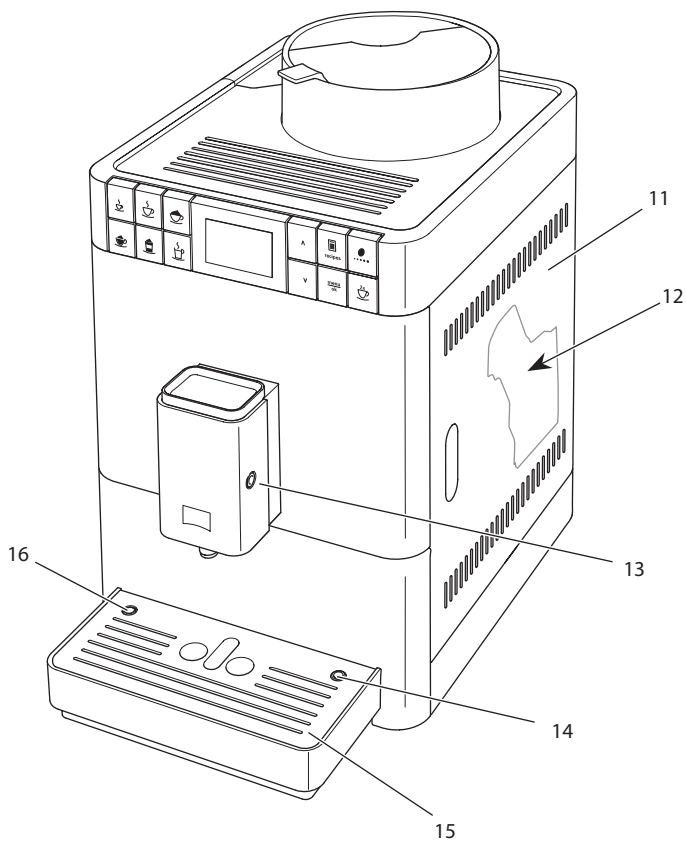
## 2 Přehled přístroje

### 2.1 Přehled přístroje



Obr. 1: Přístroj zepředu z levé strany

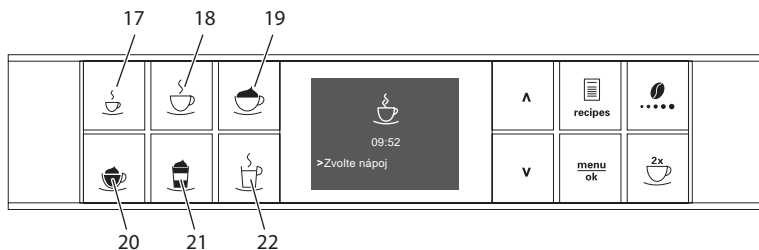
- |                              |  |
|------------------------------|--|
| 1 nádoba na vodu s víkem     | 6 výškově nastavitelný výtok s<br>2 tryskami na kávu, 1 tryskou na mléko,<br>1 tryskou na horkou vodu, osvětlením<br>šálku |
| 2 víko nádoby na kávová zrna | 7 nádoba na kávovou sedlinu (uvnitř)   |
| 3 nádoby na kávová zrna      | 8 odkapávací miska   |
| 4 plocha pro odstavení šálku | 9 zapínač/vypínač  |
| 5 Ovládací pole              | 10 páčka „nastavení stupně mletí“ (uvnitř)   |



Obr. 2: Přístroj zepředu z pravé strany

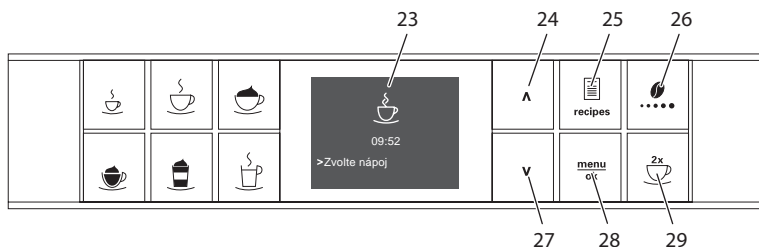
- |                                       |   |
|---------------------------------------|---|
| 11 kryt                               | 14 připojení hadice na mléko k odkapávací misce |
| 12 spařovací jednotka (uvnitř)        | 15 plech na šálky                               |
| 13 připojení hadice na mléko k výtoku | 16 plovák                                       |

## 2.2 Přehled ovládacího pole



Obr. 3: Odběrová tlačítka

Pol.	Název	Funkce
17	Espresso	Příprava espressa
18	Café Crème	Příprava Café Crème
19	Cappuccino	Příprava Cappuccina
20	Mléčná pěna/ teplé mléko	Příprava mléčné pěny a teplého mléka
21	Latte Macchiato	Příprava Latte Macchiato
22	Horká voda	Příprava horké vody



Obr. 4: Displej a ovládací tlačítka

Pol.	Název	Funkce
23	Displej	Zobrazení aktuálních nabídek a hlášení Příklad: Zobrazení provozní připravenosti
24	Tlačítko se šipkou směrem nahoru	Navigovat v nabídce směrem nahoru nebo zvýšit množství
25	Recepty	Výběr receptů a příprava
26	Nastavení intenzity kávy	Nastavení intenzity kávy
27	Tlačítko se šipkou směrem dolů	Navigovat v nabídce směrem dolů nebo snížit množství
28	menu/ok	Vyvolat nabídku nebo potvrdit zadání
29	dva šálky	Odběr pro dva šálky

## 3 První kroky

V této kapitole je popsán způsob přípravy přístroje k použití.

### 3.1 Vybalení přístroje

V balení se kromě přístroje nachází další příslušenství, jako jsou například čisticí prostředky a pomůcky.

#### POZOR

**Kontakt s čisticími prostředky může způsobit podráždění očí a pokožky.**

- Uchovávejte spoludodávané čisticí prostředky mimo dosah dětí.
- Vybalte přístroj. Odstraňte obalový materiál, lepicí pásky a ochranné fólie z přístroje.
- Uchovávejte obalový materiál pro přepravu a případné vrácení.

#### Informace

Přístroj může obsahovat stopy kávy a vody. Přístroj byl testován v závodě za účelem jeho bezchybné funkce.

### 3.2 Kontrola rozsahu dodávky

Na základě níže uvedeného seznamu zkontrolujte úplnost dodávky. Pokud některé díly chybí, obraťte se na svého prodejce.

- nádoba na mléko s krátkou hadicí na mléko,
- dlouhá hadice na mléko,
- čisticí kartáč,
- testovací proužky pro stanovení tvrdosti vody.

### 3.3 Postavení přístroje

Dodržujte následující pokyny:

- Přístroj nestavte ve vlhkých prostorách.
- Postavte přístroj na stabilní, rovnou a suchou plochu.
- Nestavte přístroj v blízkosti umyvadel nebo podobného zařízení.
- Přístroj nestavte na horké plochy.
- Udržujte dostatečnou vzdálenost cca 10 cm od stěny a dalších předmětů. Vzdálenost směrem nahoru by měla být minimálně 20 cm.
- Síťový kabel položte tak, aby nemohl být poškozen hranami nebo horkými povrchy.

### 3.4 Zapojení přístroje

Dodržujte následující pokyny:

- Ujistěte se, že síťové napětí odpovídá provoznímu napětí specifikovanému v technických údajích (viz tabulka *Technické údaje* viz strana 749).
- Přístroj zapojujte pouze do řádně nainstalované uzemněné zásuvky. V případě pochybností kontaktujte kvalifikovaného elektrikáře.
- Zemnicí kontaktní zásuvka musí být chráněna minimálně 10 A pojistkou.

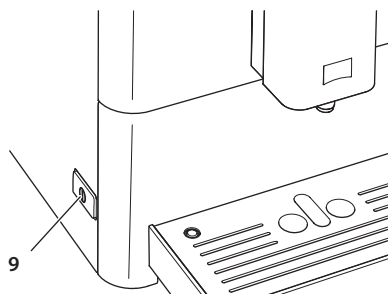
### 3.5 První zapnutí přístroje

Během prvního uvedení do provozu můžete nastavit jazyk a tvrdost vody. Nastavení můžete změnit i později (viz kapitola 7 *Změna základních nastavení* viz strana 734 a kapitola 8.8 *Nastavení tvrdosti vody* viz strana 744).

Pro stanovení tvrdosti vody použijte přiložený testovací proužek. Dodržujte pokyny na obalu testovacího proužku a tabulku *Rozsah tvrdosti vody* viz strana 749.

#### Informace

- Po prvním uvedení do provozu doporučujeme první dva šálky kávy vylít.
- Pokud chcete použít vodní filtr, měli byste jej použít až po prvním uvedení do provozu.



Obr. 5: Zapínač/vypínač

**Podmínka:** Přístroj je postaven a zapojen do sítě.

1. Postavte nádobku pod výtok.
2. Stiskněte zapínač/vypínač.
  - » Na displeji se zobrazí uvítací zpráva.
  - » Zobrazí se výzva k provedení nastavení: *Please Setup the machine/ Prosím, nastavte přístroj.*
3. Potvrďte tlačítkem „menu/ok“.
  - » Zobrazí se nabídka *Language/jazyk*.
4. Pomocí tlačítek se šipkami vyberte svůj jazyk. Potvrďte tlačítkem „menu/ok“.
  - » Zobrazí se nabídka *tvrdosti vody*.
5. Pomocí tlačítek se šipkami vyberte požadovaný rozsah tvrdosti vody nebo potvrďte přednastavenou hodnotu pomocí tlačítka "menu/ok".
  - » Objeví se výzva *Naplňit a vsadit nádobu na vodu*.
6. Vyjměte nádobu na vodu. Vypláchněte nádobu na vodu čistou vodou. Nalijte do nádoby na vodu čerstvou vodu a vsadte ji.
  - » Přístroj se zahřeje a provede automatické proplachování.
  - » Na displeji se zobrazí indikace připravenosti.
7. Dejte kávová zrna do nádoby na kávová zrna. K tomu si přečtěte kapitulu 4.4 *Naplnění kávových zrn do nádoby na kávová zrna viz strana 721*.
  - » V případě potřeby můžete nyní vsadit vodní filtr (viz kapitola 8.9 *Použití vodního filtru viz strana 745*).



## 4 Základní obsluha

Tato kapitola popisuje základní pracovní kroky pro každodenní používání přístroje.

### 4.1 Zapnutí a vypnutí přístroje

Před zapnutím při prvním uvedení přístroje do provozu si přečtěte kapitolu 3.5 *První zapnutí přístroje* viz strana 716.

#### Informace

- Při zapnutí a vypnutí přístroj provede automatické proplachování.
- Při proplachování je také proplachovací voda nasměrována do odkapávací misky.

#### Zapnutí přístroje

1. Postavte nádobku pod výtok.
2. Stiskněte zapínač/vypínač **(9)**.
  - » Na displeji se objeví uvítací zpráva.
  - » Přístroj se zahřeje a provede automatické proplachování.
- » Na displeji se zobrazí indikace připravenosti.

#### Informace

Pokud byl přístroj krátkodobě vypnutý, neprovede se po zapnutí automatické proplachování.

#### Vypnutí přístroje

1. Postavte nádobku pod výtok.
2. Stiskněte zapínač/vypínač **(9)**.
  - » Přístroj provede automatické proplachování.
- » Přístroj se vypne.

#### Informace

- Přístroj se automaticky vypne, pokud není delší dobu ovládán. Také v tomto případě se provede automatické proplachování.
- Čas vypnutí můžete nastavit v nabídce *automatického vypnutí*, viz kapitola 7.2 *Nastavení automatického vypnutí* viz strana 734.
- Pokud nebyl od zapnutí připraven žádný nápoj nebo je-li prázdná nádoba na vodu, neprovede se propláchnutí.

## 4.2 Ovládání ovládacího pole

Základní programy lze dosáhnout prostřednictvím ovládacího pole.

Stiskněte požadované tlačítko. Tlačítka ovládejte následujícím způsobem:



### Krátké stisknutí

Krátkým stisknutím ovládacího tlačítka vyberete program.



### Dlouhé stisknutí

Stisknutím ovládacího tlačítka déle než 2 sekundy vyberete druhý dostupný program.

## 4.3 Navigování v nabídce

K nastavení individuálních nápojů a péči a údržbě musíte vyvolat nabídku na displeji a navigovat v nabídce.

Dodržujte pokyny na displeji.



Obr. 6: Displej (příklad) a ovládací tlačítka k navigaci

Pro navigaci v nabídce použijte následující možnosti:

### Vyvolání nabídky a potvrzení výběru



Stiskněte tlačítko „menu/ok“ na déle než 2 sekundy pro vyvolání nabídky.

Krátce stiskněte tlačítko „menu/ok“ k potvrzení svého výběru.

## Navigování v nabídce nebo změna číselné hodnoty



Stiskněte tlačítka se šipkami pro navigaci dolů nebo nahoru v nabídce.

Stiskněte tlačítka se šipkami pro zvýšení nebo snížení číselné hodnoty.

Podržte stisknuté tlačítko se šipkou pro rychlé dosažení požadované pozice nebo požadované číselné hodnoty.

## Opuštění nabídky



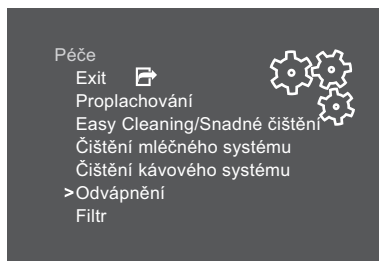
Pomocí tlačítek se šipkami vyberte povel Exit a k opuštění nabídky potvrďte tlačítkem „menu/ok“.

Opuštěte podnabídky, které zobrazují pouze informace, a ve kterých nelze provést žádné nastavení pomocí tlačítka „menu/ok“.

## Vyvolání podnabídek

Některé programy přístroje můžete dosáhnout po vyvolání několika podnabídek za sebou.

Vyvolání podnabídek je vždy podobné. Jako příklad je zde popsána navigace do programu *Odvápnění*.



Obr. 7: Navigovat k programu *Odvápnění*

1. Stiskněte tlačítko „menu/ok“ na 2 sekundy.
  - » Na displeji se zobrazí nabídka.
2. Pomocí tlačítek se šipkami vyberte *Údržba* a potvrďte tlačítkem "menu/ok".
3. Pomocí tlačítek se šipkami vyberte *Odvápnění* a potvrďte tlačítkem „menu/ok“.

Výběr programu je v tomto návodu k obsluze znázorněn vždy zkráceně:

- Navigujte do nabídky *Údržba > Odvápnění*.

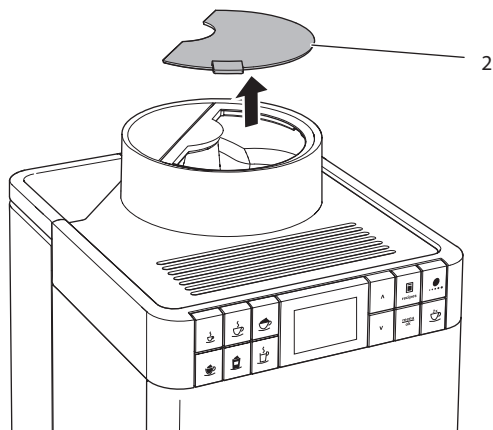
## 4.4 Naplnění kávových zrn do nádoby na kávová zrna

Pražená kávová zrna ztrácí své aroma. Do nádoby na kávová zrna dejte tolik kávových zrn, kolik spotřebujete v příštích 3 až 4 dnech.

**POZOR**

**Použití nevhodných druhů kávy může vést k zalepení mlecího zařízení.**

- Nepoužívejte mrazem sušená nebo karamelizovaná kávová zrna.
- Nepoužívejte kávový prášek ani instantní produkty.



Obr. 8: Otevřít víko nádoby na kávová zrna

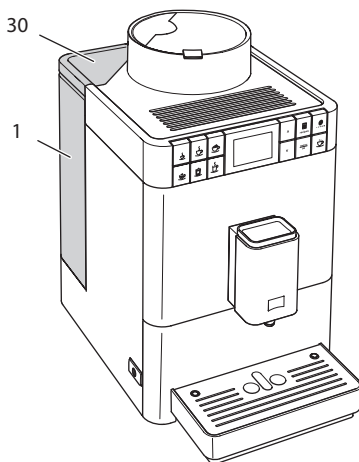
1. Otevřete víko (2) nádoby na kávová zrna.
2. Dejte kávová zrna do nádoby na kávová zrna.
3. Zavřete víko nádoby na kávová zrna.

## 4.5 Nalítí vody

Pro optimální požitek z kávy používejte pouze čerstvou, studenou vodu bez bez oxidu uhličitého. Měňte vodu denně.

### Informace

Kvalita vody silně určuje chuť kávy. Proto používejte vodní filtr (viz kapitola 8.8 *Nastavení tvrdosti vody* viz strana 744 a kapitola 8.9 *Použití vodního filtru* viz strana 745).

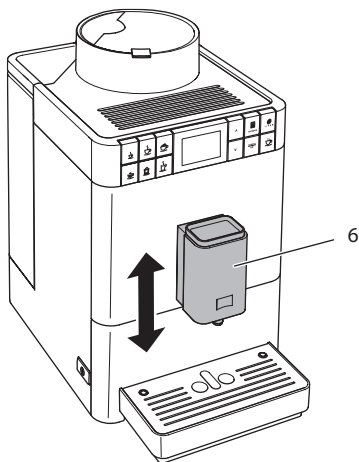


Obr. 9: nádoby na vodu

1. Otevřete víko nádoby na vodu (30) a vytáhněte nádobu na vodu (1) za rukojeť směrem nahoru z přístroje.
2. Nalijte vodu do nádoby na vodu.
3. Nasadte nádobu na vodu do přístroje zhora a zavřete víko.

## 4.6 Nastavení výtoku

Výtok (6) je výškově nastavitelný. Nastavte nejmenší možnou vzdálenost mezi výtokem a nádobkou. Podle nádoby posuňte výtok nahoru nebo dolů.

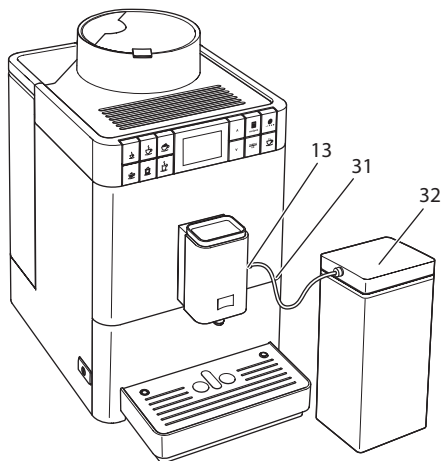


Obr. 10: Nastavení výtoku

## 4.7 Použití mléka

Pro optimální požitek z kávy byste měli používat chlazené mléko. V závislosti na modelu přístroje použijte dodanou dlouhou hadici na mléko nebo dodanou nádobu na mléko.

### Připojení nádoby na mléko



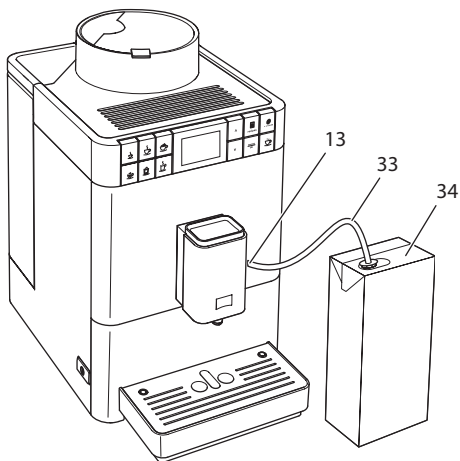
Obr. 11: Připojená nádoba na mléko

1. Připojte hadici na mléko (31) k připojení na výtok (13).
2. Připojte volný konec hadice na mléko k nádobě na mléko (32).

#### Informace

Naplněnou nádobu na mléko uchovávejte v chladničce.

## Připojení balení mléka



Obr. 12: Připojené běžné balení mléka

1. Připojte dlouhou hadici na mléko (33) k připojení na výtoku (13).
2. Zastrčte volný konec hadice na mléko do běžného balení mléka (34).

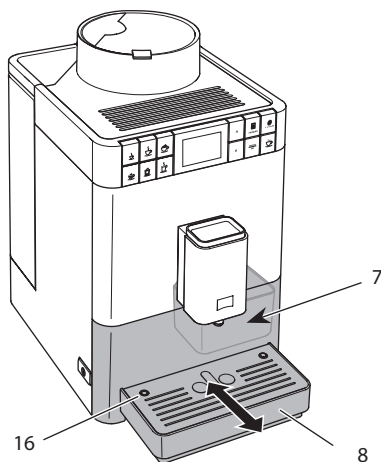


## 4.8 Vyprázdnění odkapávací misky a nádoby na kávovou sedlinu

Po několika odběrech nápojů může být odkapávací miska (8) a nádoba na kávovou sedlinu (7) plná. Vyčnívající plovák (16) indikuje aktuální hladinu odkapávací misky.

Po stanoveném počtu odběrů nápojů přístroj také zobrazí informaci o tom, že odkapávací miska a nádoba na kávovou sedlinu jsou plné.

Vždy vyprázdněte odkapávací misku a nádobu na kávovou sedlinu.



Obr. 13: Vyprázdnění odkapávací misky a nádoby na kávovou sedlinu

1. Vytáhněte odkapávací misku (8) směrem dopředu z přístroje.
2. Vyměňte nádobu na kávovou sedlinu (7) a vyprázdněte ji.
3. Vyprázdněte odkapávací misku.
4. Vsaďte nádobu na kávovou sedlinu.
5. Odkapávací misku zasuňte do přístroje až na doraz.

### **i** Informace

Pokud vyprázdníte odkapávací misku a nádobu na kávovou sedlinu během vypnutí přístroje, přístroj tuto operaci nezaregistruje. Proto se může stát, že budete vyzváni k vyprázdnění, ačkoli odkapávací miska a nádoba na kávovou sedlinu nejsou ještě plné.

## 5 Příprava nápojů

Pro přípravu nápojů jsou dvě možnosti:

- Standardní odběr, jak je popsáno níže,
- Výběr receptu a příprava podle receptu (viz kapitola 5.6 *Příprava dalších speciálních nápojů pomocí receptů* viz strana 729).

### Informace

Přednastavení pro standardní odběr nebo recept lze trvale změnit (viz kapitola 6.1 *Změna předchozích nastavení* viz strana 733).

Dodržujte:

- V nádobě na vodu by měl být vždy dostatek vody. Je-li hladina příliš nízká, přístroj Vás vyzve k doplnění.
- Také v nádobě na kávová zrna by mělo být vždy dostatečné množství kávových zrn. Pokud nejsou v nádobě žádná kávová zrna, přístroj přeruší přípravu kávového nápoje.
- Chybějící mléko přístroj nezobrazí.
- Nádobky pro nápoje by měly být dostatečně velké (viz tabulka *Tovární nastavení* viz strana 750).

### 5.1 Příprava espressa nebo Café Crème



**Podmínka:** Na displeji se zobrazí indikace připravenosti.



1. Postavte nádobku pod výtok.
2. Stiskněte odběrové tlačítko „Espresso“ nebo „Café Crème“.
  - » Spustí se mletí a výdej nápoje.
  - » Výdej nápoje se ukončí automaticky.
3. Odeberte nádobku.
  - » Na displeji se zobrazí indikace připravenosti.

## 5.2 Příprava Cappuccina



**Podmínky:** Na displeji se zobrazí indikace připravenosti a mléko je připojeno.

1. Postavte nádobku pod výtok.
2. Stiskněte odběrové tlačítko „Cappuccino“.
  - » Spustí se mletí a výdej kávy.
  - » Výdej kávy se ukončí automaticky.
  - » Spustí se výdej mléka.
  - » Výdej nápoje se ukončí automaticky.
3. Odeberte nádobku.
  - » Na displeji se objeví *Easy Cleaning/Snadné čištění? (OK pro spuštění)*.
4. Můžete provést program Easy Cleaning (snadné čištění) nebo připravit další nápoje.
  - a) Spusťte program snadného čištění Easy Cleaning. Přitom postupujte podle pokynů na displeji. Informace o tom naleznete v kapitole 8.4 *Použití programu „Easy Cleaning“* viz strana 740.
  - b) Připravte další nápoje a program Easy Cleaning proveďte později.
  - » Na displeji se zobrazí indikace připravenosti.

## 5.3 Příprava Latte Macchiato



**Podmínky:** Na displeji se zobrazí indikace připravenosti a mléko je připojeno.

1. Postavte nádobku pod výtok.
2. Stiskněte odběrové tlačítko „Latte Macchiato“.
  - » Spustí se výdej mléka.
  - » Výdej mléka se ukončí automaticky.
  - » Spustí se mletí a výdej kávy.
  - » Výdej nápoje se ukončí automaticky.
3. Odeberte nádobku.
  - » Na displeji se objeví *Easy Cleaning/Snadné čištění? (OK pro spuštění)*.
4. Můžete provést program Easy Cleaning (snadné čištění) nebo připravit další nápoje.
  - a) Spusťte program snadného čištění Easy Cleaning. Přitom postupujte podle pokynů na displeji. Informace o tom naleznete v kapitole 8.4 *Použití programu „Easy Cleaning“* viz strana 740.
  - b) Připravte další nápoje a program Easy Cleaning proveďte později.
  - » Na displeji se zobrazí indikace připravenosti.

## 5.4 Příprava mléčné pěny nebo teplého mléka



Příprava mléčné pěny a teplého mléka je podobná.

**Podmínky:** Na displeji se zobrazí indikace připravenosti a mléko je připraveno.

1. Postavte nádobku pod výtok.
2. Stiskněte odběrové tlačítko „Mléčná pěna/teplé mléko“.
  - a) Mléčná pěna = tlačítko krátce stisknout
  - b) Teplé mléko = tlačítko dlouze stisknout (2 sekundy)
    - » Spustí se výdej mléka.
    - » Výdej nápoje se ukončí automaticky.
3. Odeberte nádobku.
  - » Na displeji se objeví *Easy Cleaning/Snadné čištění? (OK pro spuštění)*.
4. Můžete provést program Easy Cleaning (snadné čištění) nebo připravit další nápoje.
  - a) Spustíte program snadného čištění Easy Cleaning. Přitom postupujte podle pokynů na displeji. Informace o tom naleznete v kapitole 8.4 *Použití programu „Easy Cleaning“* viz strana 740.
  - b) Připravte další nápoje a program Easy Cleaning provedte později.
  - » Na displeji se zobrazí indikace připravenosti.

## 5.5 Příprava horké vody



**Podmínka:** Na displeji se zobrazí indikace připravenosti.

1. Postavte nádobku pod výtok.
2. Stiskněte odběrové tlačítko „Horká voda“.
  - » Spustí se výdej horké vody.
  - » Výdej nápoje se ukončí automaticky.
3. Odeberte nádobku.
  - » Na displeji se zobrazí indikace připravenosti.

## 5.6 Příprava dalších speciálních nápojů pomocí receptů



Kromě standardního odběru můžete v nabídce *Recepty* vybrat i další speciální nápoje. K dispozici jsou Vám zde následující speciální nápoje:

Speciální nápoje bez mléka:

- Ristretto,
- Lungo,
- Americano.

Speciální nápoje s mlékem:

- Espresso Macchiato,
- Caffè Latte,
- Café au Lait.

## Příprava Ristretta, Lungo nebo Americana

Příprava nápojů Ristretto, Lungo a Americano je podobná. Jako příklad je popsána příprava ristretta.

**Podmínka:** Na displeji se zobrazí indikace připravenosti.

1. Postavte nádobku pod výtok.
2. Stiskněte ovládací tlačítko "Recepty".
  - » Nabídka *Recepty* se zobrazí na displeji.
3. Pomocí tlačítek se šipkami vyberte *Ristretto*.
4. Svůj výběr potvrďte tlačítkem „menu/ok“.
  - » Spustí se mletí a výdej nápoje.
  - » Výdej nápoje se ukončí automaticky.
5. Odeberte nádobku.
  - » Na displeji se zobrazí indikace připravenosti.

## Příprava Espresso Macchiato, Caffè Latte nebo Café au Lait

Příprava nápojů Espresso Macchiato, Caffè Latte a Café au Lait je podobná. Jako příklad je popsána příprava espresso macchiata.

**Podmínky:** Na displeji se zobrazí indikace připravenosti a mléko je připojeno.

1. Postavte nádobku pod výtok.
2. Stiskněte ovládací tlačítko "Recepty".
  - » Nabídka *Recepty* se zobrazí na displeji.
3. Pomocí tlačítek se šipkami vyberte *Espresso Macchiato*.
4. Svůj výběr potvrďte tlačítkem „menu/ok“.
  - » Spustí se mletí a výdej kávy.
  - » Výdej kávy se ukončí automaticky.
  - » Spustí se výdej mléka.
  - » Výdej nápoje se ukončí automaticky.
5. Odeberte nádobku.
  - » Na displeji se objeví *Easy Cleaning/Snadné čištění? (OK pro spuštění)*.
6. Můžete provést program Easy Cleaning (snadné čištění) nebo připravit další nápoje.
  - a) Spusťte program snadného čištění Easy Cleaning. Přitom postupujte podle pokynů na displeji. Informace o tom naleznete v kapitole 8.4 *Použití programu „Easy Cleaning“* viz strana 740.
  - b) Připravte další nápoje a program Easy Cleaning proveďte později.
  - » Na displeji se zobrazí indikace připravenosti.

## 5.7 Změna nastavení nápojů před přípravou a během přípravy

Před přípravou nápoje a během ní můžete změnit nastavení nápoje.

### Informace

Následující nastavení platí pouze pro aktuální přípravu nápojů.

### Změna nastavení nápojů před přípravou

Před výběrem nápoje můžete změnit celkové množství nápoje a intenzitu kávy.



- Před výběrem nápoje nastavte pomocí tlačítek se šipkami množství nápoje.
- Před výběrem nápoje nastavte intenzitu kávy ovládacím tlačítkem "Intenzita kávy".

### Informace

- Při přípravě smíšených nápojů se celkové množství nápoje rozdělí podle předem zadaného poměru. To platí pro míchané nápoje vyrobené z kávy s mlékem nebo horkou vodou.
- Pokud do 1 minuty nepřipravíte žádný nápoj, přístroj se přepne do standardních nastavení.

### Změna nastavení nápojů během přípravy

Během přípravy nápoje můžete změnit množství nápoje a intenzitu kávy.



- Během výdeje nápoje pomocí tlačítek se šipkami nastavte příslušné množství nápoje.
- Během mletí nastavte intenzitu kávy pomocí ovládacího tlačítka "Intenzita kávy".

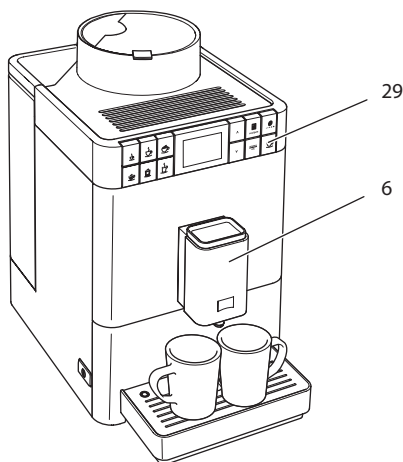
## 5.8 Přerušení přípravy nápoje

Chcete-li předčasně přerušit přípravu nápoje, stiskněte libovolné odběrové tlačítko.

## 5.9 Příprava dvou nápojů současně



Ovládacím tlačítkem "Dva šálky" můžete současně připravit dva nápoje. Odběr pro dva šálky je možný pouze v případě odběru pouhé kávy, jako je například Espresso, Café Crème, Ristretto. Odběr pro dva šálky není možný v případě přípravy horké vody, horkého mléka a všech míchaných nápojů.



Obr. 14: Odběr pro dva šálky

1. Postavte dvě nádoby pod výtok (6).
2. Stiskněte ovládací tlačítko "Dva šálky" (29).
3. Dál postupujte tak, jak je popsáno u přípravy příslušného nápoje.

### Informace

- Toto nastavení platí pouze pro jednotlivou přípravu nápoje.
- Pokud do 1 minuty nepřipravíte žádný nápoj, přístroj se přepne do odběru pro jeden šálek.

## 6 Trvalá změna nastavení nápojů

Přístroj Vám nabízí další možnosti přípravy kávových specialit. Můžete použít přednastavené recepty nebo trvale měnit nastavení nápojů.

### 6.1 Změna předchozích nastavení

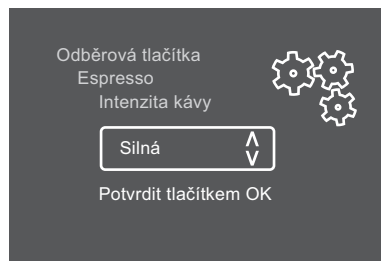
V závislosti na nápoji můžete změnit následující přednastavení:

- **Množství kávy:** 25 ml až 220 ml,
- **Množství mléka nebo mléčné pěny:** 25 ml až 220 ml,
- **Množství horké vody:** 25 ml až 220 ml,
- **Intenzita kávy:** velmi slabá, slabá, normální, silná, velmi silná,
- **Teplota:** nízká, normální, vysoká.

#### Informace

Změněná přednastavení zůstávají platná tak dlouho, dokud se znovu nezmění.

Změna nastavení nápojů je u všech nápojů podobná. Například je zde popsána změna intenzity kávy pro espresso.



Obr. 15: Nastavení intenzity kávy

**Podmínka:** Na displeji se zobrazí indikace připravenosti.

1. Ovládací tlačítko „menu/ok“ stiskněte déle než 2 sekundy.
    - » Na displeji se zobrazí nabídka.
  2. Navigujte do nabídky *Odběrová tlačítka > Espresso > Intenzita kávy*.
  3. Pomocí tlačítek se šípkami vyberte požadovanou intenzitu kávy a potvrďte tlačítkem "menu/ok".
  4. K opuštění nabídky vyberte opakovaně příkaz *Exit*.
    - » Na displeji se zobrazí indikace připravenosti.
- » Při příštích přípravách espressa se použije nově zvolená intenzita kávy.



## 7 Změna základních nastavení

V následující kapitole jsou vysvětleny ovládací kroky, kterými se změní základní nastavení přístroje.

### 7.1 Nastavení jazyku

Můžete nastavit jazyk textů, zobrazených na displeji.

**Podmínka:** Na displeji se zobrazí indikace připravenosti.

1. Ovládací tlačítko „menu/ok“ stiskněte déle než 2 sekundy.
  - » Na displeji se zobrazí nabídka.
2. Navigujte k nabídce *Jazyk*.
3. Pomocí tlačítek se šipkami vyberte jazyk a potvrďte tlačítkem "menu/ok".
4. Opusťte nabídku příkazem *Exit*.
  - » Na displeji se zobrazí indikace připravenosti.

### 7.2 Nastavení automatického vypnutí

Pokud přístroj delší dobu neobsluhujete, tak se tento po uplynutí nastaveného času automaticky vypne. Tuto dobu můžete nastavit v nabídce *automatického vypnutí*.

#### Nastavení doby pro automatické vypnutí

**Podmínka:** Na displeji se zobrazí indikace připravenosti.

1. Ovládací tlačítko „menu/ok“ stiskněte déle než 2 sekundy.
  - » Na displeji se zobrazí nabídka.
2. Navigujte k nabídce *Auto vyp*.
3. Pomocí tlačítek se šipkami vyberte čas a potvrďte tlačítkem „menu/ok“.
4. Opusťte nabídku příkazem *Exit*.
  - » Na displeji se zobrazí indikace připravenosti.

#### Informace

Automatické vypnutí nelze zcela deaktivovat. Nejpozději po 8 hodinách bez obsluhy se přístroj vypne.

## 7.3 Nastavení režimu úspory energie

Režim úspory energie způsobí snížení teploty ohřevu.

Pokud přístroj delší dobu neobsluhujete, se po uplynutí nastaveného času automaticky přepne do režimu úspory energie. Na displeji se poté zobrazí pokyn *Stisknout libovolné tlačítko*. Jakmile budete postupovat podle pokynů, režim úspory energie se ukončí.

V nabídce *Režim úspory energie* nastavíte dobu, až dokud nebude aktivován režim úspory energie.

**Podmínka:** Na displeji se zobrazí indikace připravenosti.

1. Tlačítko „menu/ok“ stiskněte déle než 2 sekundy.
    - » Na displeji se zobrazí nabídka.
  2. Navigujte k nabídce *Režim úspory energie*.
  3. Pomocí tlačítek se šípkami vyberte dobu a potvrďte tlačítkem „menu/ok“.
  4. Opusťte nabídku příkazem *Exit*.
- » Na displeji se zobrazí indikace připravenosti.

### Informace

Režim úspory energie nelze zcela deaktivovat. Nejpozději po 4 hodinách bez obsluhy se přístroj přepne do režimu úspory energie.

## 7.4 Reset přístroje na nastavení ze závodu

Přístroj můžete resetovat na nastavení ze závodu.

### Informace

Pokud resetujete přístroj na nastavení ze závodu, ztratí se veškerá osobní nastavení.

**Podmínka:** Na displeji se zobrazí indikace připravenosti.

1. Tlačítko „menu/ok“ stiskněte déle než 2 sekundy.
    - » Na displeji se zobrazí nabídka.
  2. Navigujte do nabídky *Systém > Nastavení ze závodu*.
  3. Pomocí tlačítek se šípkami vyberte *Resetovat* a potvrďte tlačítkem „menu/ok“.
- » Na displeji se zobrazí indikace připravenosti.

## 7.5 Informace o stavu přístroje

Informace o stavu přístroje získáte přes nabídku *Systém > Statistika*. Pro opuštění nabídky stiskněte tlačítko „menu/ok“.

Následující tabulka poskytuje přehled o významu informací.

Informace	Význam
<i>Celkový počet odběrů</i>	Počet nápojů, které byly připraveny od uvedení do provozu.
<i>Odvápněno</i>	Počet provedených odvápnění.
<i>Kávnový systém vyčištěn</i>	Počet provedených čištění.
<i>Mléčný systém vyčištěn</i>	Počet provedených čištění.
<i>Filtr vyměněn</i>	Počet provedených výměn filtru.

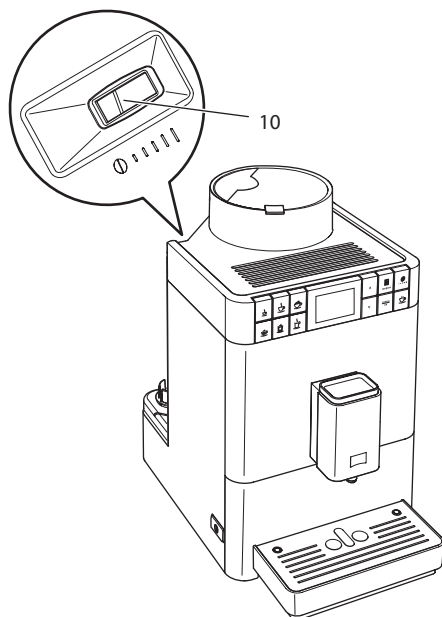
Sloupečky postupu ukazují zbývající přípravy nápoje, dokud přístroj nevyzve k čištění, odvápnění nebo výměně filtru.

### Verze softwaru

Informace o nainstalované verzi softwaru naleznete v nabídce *Systém > Verze SW*. Pro opuštění nabídky stiskněte tlačítko „menu/ok“.

## 7.6 Nastavení stupně mletí

Stupeň mletí kávového prášku má vliv na chuť kávy. Stupeň mletí byl před dodáním optimálně nastaven. Doporučujeme nastavit stupeň mletí nejdříve po přibližně 1 000 odběrech kávy (po cca 1 roce).



Obr. 16: Páčka pro nastavení stupně mletí

1. Vyjměte nádobu na vodu.
  - » Na plášti přístroje je viditelná páčka "nastavení stupně mletí" (10).
2. Nastavte páčku doleva nebo doprava, jak je zobrazeno na Obr. 16.
  - Doleva = jemný stupeň mletí
  - Doprava = hrubší stupeň mletí
3. Opět vsadte nádobu na vodu.

### **i** Informace

- Pokud jste nastavili stupeň mletí jemnější, bude chuť kávy silnější.
- Stupeň mletí je optimálně nastaven, když káva vytéká rovnoměrně z výtoku a vzniká jemná, hustá Crema.

## 8 Péče a údržba

Pravidelná péče a údržba přístroje zajišťují konzistentní vysokou kvalitu Vašich nápojů.

### 8.1 Obecné čištění

Přístroj pravidelně čistěte. Okamžitě odstraňte vnější znečištění vzniklá mlékem a kávou.

**POZOR**

**Použitím nevhodných čisticích prostředků se mohou poškrábat povrchy.**

- Nepoužívejte žádné abrazivní utěrky, houby a čisticí prostředky.

**Podmínka:** Přístroj je vypnutý.

- Přístroj vyčistěte zvenčí měkkým, vlhkým hadříkem a běžně dostupným mycím prostředkem na nádobí.
- Odkapávací misku a nádobku na kávovou sedlinu opláchněte. Použijte přitom měkký, vlhký hadřík a běžně dostupný mycí prostředek na nádobí.
- Nádobu na kávová zrna vyčistěte měkkým suchým hadříkem.
- Nádobu na kávovou sedlinu (7), plech na šálky (15) a nádobu na mléko (bez víka, hadice na mléko a ponorné trubky) lze mýt v myčce nádobí.

### 8.2 Propláchnutí kávového systému

Během proplachování se vypláchnou trysky na výtoku a vnitřní části kávového systému. Tím se proplachovací voda odvede z vnitřního prostoru do odkapávací misky.

Při zapnutí a vypnutí přístroj provede automatické proplachování.

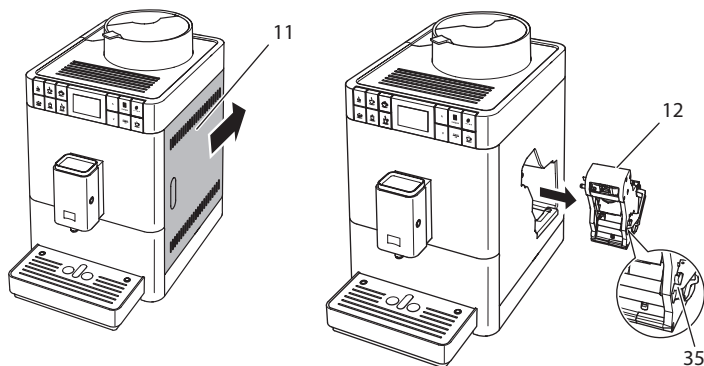
Proplachování můžete provést také manuálně:

**Podmínka:** Na displeji se zobrazí indikace připravenosti.

1. Postavte nádobku pod výtok.
2. Tlačítko „menu/ok“ stiskněte déle než 2 sekundy.
  - » Na displeji se zobrazí nabídka.
3. Navigujte do nabídky *Údržba > Proplachování*.
  - » Přístroj provede automatické proplachování.
  - » Na displeji se zobrazí indikace připravenosti.

### 8.3 Vyjmutí a čištění spařovací jednotky

K zabránění poškození přístroje doporučujeme jednou týdně vyčistit spařovací jednotku.

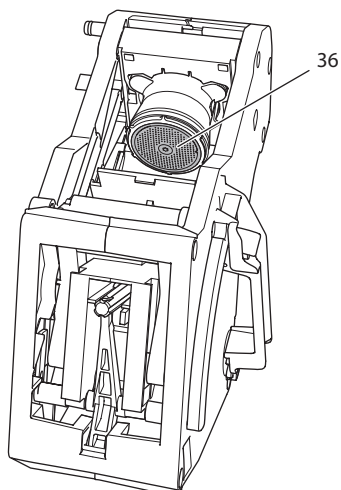


Obr. 17: Vyjmutí spařovací jednotky

**Podmínka:** Příklad je vypnutý.

1. Otevřete kryt (11). Chcete-li to provést, sáhněte do žlábků na pravé straně přístroje a posuňte kryt směrem dozadu. Sejměte kryt.
2. Stiskněte a podržte červenou páčku (35) za rukojeť spařovací jednotky (12) a otočte rukojeť ve směru hodinových ručiček, dokud nezaskočí na dorazu.

3. Vytáhněte spařovací jednotku tažením za rukojeť z přístroje.



Obr. 18: Vyčistit spařovací jednotku

4. Spařovací jednotku důkladně opláchněte pod tekoucí vodou ze všech stran.
  - » Spařovací jednotka a sítko (36) jsou bez zbytků kávy.
5. Nechte spařovací jednotku okapat.
6. Měkkým, suchým hadříkem odstraňte zbytky kávy z ploch uvnitř přístroje.
7. Zasuňte spařovací jednotku do přístroje. Stiskněte a podržte červenou páčku za rukojeť spařovací jednotky a otočte rukojeť proti směru hodinových ručiček, dokud nezaskočí na dorazu.
8. Zavřete kryt. K tomu účelu nasadte kryt a posuňte ho dopředu, dokud nezaskočí.

## 8.4 Použití programu „Easy Cleaning“

Programem "Easy Cleaning" se mléčný systém propláchne.

Po každé přípravě nápoje s mlékem Vás přístroj vyzve k provedení programu Easy Cleaning.

Program Easy Cleaning můžete provést také manuálně.

**Podmínka:** Na displeji se zobrazí indikace připravenosti.

1. Postavte nádobku pod výtok.
2. Tlačítko „menu/ok“ stiskněte déle než 2 sekundy.
  - » Na displeji se zobrazí nabídka.

3. Navigujte do nabídky *Údržba > Easy Cleaning*.
  4. Pomocí tlačítek se šipkami vyberte *Start* a potvrďte tlačítkem „menu/ok“.
  5. Postupujte podle dalších pokynů na displeji až do ukončení programu *Easy Cleaning*.
- » Na displeji se zobrazí indikace připravenosti.

## 8.5 Použití programu „Čištění mléčného systému“

K čištění mléčného systému je potřebný čistič mléčných systémů.

K zachování hygieny a zabránění poškození přístroje doporučujeme provádět program čištění jednou týdně.

Program čištění trvá přibližně 3 minuty a neměl by se přerušit.

**POZOR**

**Použitím nevhodného čističe mléčných systémů a nedodržování pokynů pro zpracování mohou vést k poškození přístroje.**

- Používejte výhradně čistič mléčných systémů Melitta® PERFECT CLEAN čistič mléčných systémů pro zcela automatické kávovary.
- Dodržujte pokyny pro zpracování na obalu čističe mléčných systémů.

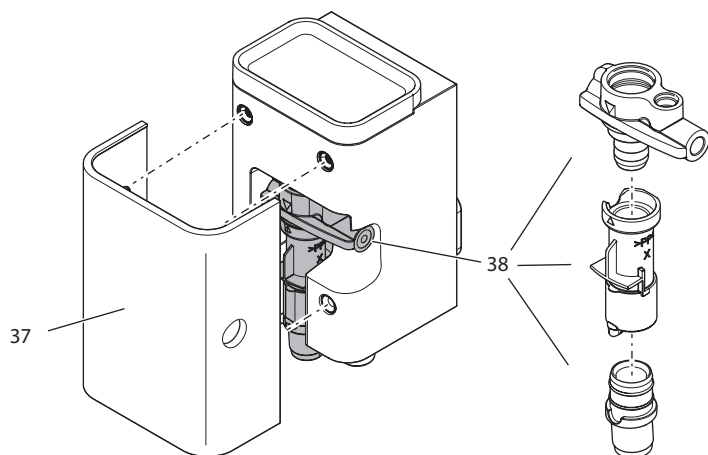
**Podmínka:** Na displeji se zobrazí indikace připravenosti.

1. Nádobu na kávové sedliny (7) nebo nádobku s minimální kapacitou 0,7 litru postavte pod výtok.
  2. Tlačítko „menu/ok“ stiskněte déle než 2 sekundy.
    - » Na displeji se zobrazí nabídka.
  3. Navigujte do nabídky *Údržba > Čištění mléčného systému*.
  4. Pomocí tlačítek se šipkami vyberte *Start* a potvrďte tlačítkem „menu/ok“.
  5. Postupujte podle dalších pokynů na displeji až do ukončení programu čištění.
- » Na displeji se zobrazí indikace připravenosti.



## Čištění mléčné jednotky

Navíc doporučujeme pravidelně čistit mléčnou jednotku, hadici na mléko a nádobu na mléko (v závislosti na modelu).



Obr. 19: Vyjmutí mléčné jednotky

K vyjmutí mléčné jednotky postupujte následovně:

**Podmínka:** Hadice na mléko je z přístroje odstraněná.

1. Stáhněte kryt (37) z výtoku směrem dopředu.
2. Mléčnou jednotku (38) zatlačte směrem dolů a vyjměte ji.
3. Rozložte mléčnou jednotku na tři části tak, jak je zobrazeno výše.
4. Omyjte jednotlivé části teplou vodou. Použijte přiložený čistící kartáč, měkký vlhký hadřík a běžný mycí prostředek na nádobí.

Složení se podle smyslu provádí v opačném pořadí.

## 8.6 Použití programu „Čištění kávového systému“

Programem "Čištění kávového systému" se všechny zbytky a zbytky z kávového oleje odstraní pomocí čističe na zcela automatické kávovary.

K zabránění poškození přístroje doporučujeme provést program čištění každé 2 měsíce - nebo když Vás přístroj vyzve, abyste tak učinili.

Program čištění trvá přibližně 10 minuty a neměl by se přerušit.

**▲ POZOR**

**Kontakt s čističem na zcela automatické kávovary může způsobit podráždění očí a pokožky.**

- Dodržujte pokyny pro zpracování na obalu čističe na zcela automatické kávovary.

**POZOR**

**Použitím nevhodného čističe na zcela automatické kávovary se může poškodit přístroj.**

- Používejte výhradně čisticí tablety Melitta® PERFECT CLEAN čisticí tablety pro zcela automatické kávovary.

**Podmínka:** Na displeji se zobrazí indikace připravenosti.

1. Tlačítko „menu/ok“ stiskněte déle než 2 sekundy.
    - » Na displeji se zobrazí nabídka.
  2. Navigujte do nabídky *Údržba > Čištění kávového systému*.
  3. Pomocí tlačítek se šipkami vyberte *Start* a potvrďte tlačítkem „menu/ok“.
  4. Postupujte podle dalších pokynů na displeji až do ukončení programu čištění.
- » Na displeji se zobrazí indikace připravenosti.

## 8.7 Použití programu „Odvápnění“

Odvápňovacím programem se odstraní usazeniny vodního kamene uvnitř přístroje pomocí odvápnovače na zcela automatické kávovary.

K zabránění poškození přístroje doporučujeme provést program odvápnění každé 3 měsíce - nebo když Vás přístroj vyzve, abyste tak učinili.

Program odvápnění trvá přibližně 25 minut a neměl by se přerušit.

**▲ POZOR**

**Kontakt s odvápnovačem na zcela automatické kávovary může způsobit podráždění očí a pokožky.**

- Dodržujte pokyny pro zpracování na obalu odvápnovače na zcela automatické kávovary.

**POZOR**

**Použitím nevhodného odvápnovače a nedodržování pokynů pro zpracování mohou vést k poškození přístroje.**

- Používejte výhradně tekutý odvápnovač Melitta® ANTI CALC tekutý odvápnovač pro zcela automatické kávovary.
- Dodržujte pokyny pro zpracování na obalu odvápnovače.

**POZOR**

**Během odstraňování vodního kamene může dojít k poškození našroubovaného vodního filtru.**

- Odstraňte vodní filtr, pokud budete k tomu přístrojem vyzváni.
- Během programu odvápnění dejte vodní filtr do nádoby s vodou z vodovodu.
- Po ukončení programu odvápnění můžete vodní filtr opět vložit a opět jej použít.

**Podmínka:** Na displeji se zobrazí indikace připravenosti.

1. Tlačítko „menu/ok“ stiskněte déle než 2 sekundy.
  - » Na displeji se zobrazí nabídka.
2. Navigujte do nabídky *Údržba > Odvápnění*.
3. Pomocí tlačítek se šipkami vyberte *Start* a potvrďte tlačítkem „menu/ok“.
4. Postupujte podle dalších pokynů na displeji až do ukončení programu odvápnění.
  - » Na displeji se zobrazí indikace připravenosti.

## 8.8 Nastavení tvrdosti vody

Nastavením tvrdosti vody se reguluje, jak často Vás přístroj vyzve k jeho odvápnění. Čím tvrdší je voda, tím častěji musí být přístroj odvápněn.

### Informace

Používáte-li vodní filtr, nemůžete nastavit tvrdost vody. Tvrdost vody je automaticky nastavená na 1 = *měkká* (viz kapitola 8.9 *Použití vodního filtru* viz strana 745).

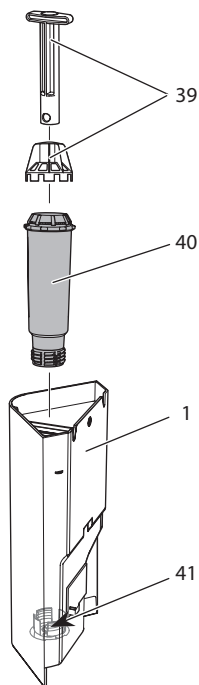
Zjistěte tvrdost vody pomocí přiloženého testovacího proužku. Dodržujte pokyny na obalu testovacího proužku a tabulku *Rozsah tvrdosti vody* viz strana 749.

**Podmínka:** Na displeji se zobrazí indikace připravenosti.

1. Tlačítko „menu/ok“ stiskněte déle než 2 sekundy.
  - » Na displeji se zobrazí nabídka.
2. Pomocí tlačítek se šipkami navigujte do nabídky *Tvrdost vody*.
3. Pomocí tlačítek se šipkami vyberte rozsah tvrdosti vody a potvrďte tlačítkem „menu/ok“.
4. Opusťte nabídku příkazem *Exit*.
  - » Na displeji se zobrazí indikace připravenosti.

## 8.9 Použití vodního filtru

Použitím vodního filtru se prodlouží životnost přístroje a nebudete muset přístroj častěji odvápnovat. Vodní filtr, který je součástí dodávky, odfiltruje vápno a další znečišťující látky z vody.



Obr. 20: Našroubování nebo vyšroubování vodního filtru

Vodní filtr (40) se našroubováním (39) našroubuje nebo vyšroubuje do závitů/ze závitů (41) na dně nádoby na vodu (1).

## Vložení vodního filtru

### Informace

Před jeho nasazením vložte vodní filtr na několik minut do nádoby s čerstvou vodou z vodovodu.

**Podmínka:** Na displeji se zobrazí indikace připravenosti.

1. Tlačítko „menu/ok“ stiskněte déle než 2 sekundy.
    - » Na displeji se zobrazí nabídka.
  2. Navigujte do nabídky *Údržba > Filtr > Vložení filtru*.
  3. Pomocí tlačítek se šipkami vyberte *Start* a potvrďte tlačítkem „menu/ok“.
  4. Postupujte podle dalších pokynů na displeji.
    - » Tvrdost vody je automaticky nastavená na 1 = *měkká*.
- » Na displeji se zobrazí indikace připravenosti.

## Výměna vodního filtru

Vyměňte vodní filtr, pokud budete k tomu přístrojem vyzváni.

**Podmínka:** Na displeji se zobrazí indikace připravenosti.

1. Tlačítko „menu/ok“ stiskněte déle než 2 sekundy.
    - » Na displeji se zobrazí nabídka.
  2. Navigujte do nabídky *Údržba > Filtr > Výměna filtru*.
  3. Pomocí tlačítek se šipkami vyberte *Start* a potvrďte tlačítkem „menu/ok“.
  4. Postupujte podle dalších pokynů na displeji.
- » Na displeji se zobrazí indikace připravenosti.

## Odstranění vodního filtru

Vodní filtr by neměl stát dlouho na sucho. Doporučujeme uložit vodní filtr v nádobě s vodou z vodovodu do chladničky, pokud ho nepoužíváte delší dobu.

Vodní filtr odeberte následovně:

**Podmínka:** Na displeji se zobrazí indikace připravenosti.

1. Tlačítko „menu/ok“ stiskněte déle než 2 sekundy.
  - » Na displeji se zobrazí nabídka.
2. Navigujte do nabídky *Údržba > Filtr > Vyjmutí filtru*.
3. Pomocí tlačítek se šipkami vyberte *Start* a potvrďte tlačítkem „menu/ok“.
4. Postupujte podle dalších pokynů na displeji.
  - » Tvrdost vody se automaticky resetuje na předchozí nastavení.
  - » Na displeji se zobrazí indikace připravenosti.
5. V případě potřeby znovu nastavte tvrdost vody, (viz kapitola 8.8 *Nastavení tvrdosti vody* viz strana 744).

## 9 Poruchy

Pokud se níže uvedenými opatřeními poruchy neodstraní nebo jestliže se vyskytnou další poruchy, které zde nejsou uvedeny, kontaktujte naši poradenskou horkou linku (místní sazba).

Servisní čísla najdete za bočním krytem (11) nebo na našich internetových stránkách v oblasti servisu.

Porucha	Příčina	Opatření
Káva z výtoků vytéká pouze po kapkách.	Stupeň mletí je příliš jemný.	<ul style="list-style-type: none"> <li>▪ Nastavit hrubší stupeň mletí (viz kapitola 7.6 viz strana 737).</li> </ul>
	Přístroj je znečištěn.	<ul style="list-style-type: none"> <li>▪ Vyčistit spařovací jednotku (viz kapitola 8.3 viz strana 739).</li> <li>▪ Provést program čištění (viz kapitola 8.6 viz strana 742).</li> </ul>
	Přístroj je zanesen vodním kamenem.	<ul style="list-style-type: none"> <li>▪ Odvápnit přístroj (viz kapitola 8.7 viz strana 743).</li> </ul>
Káva nevytéká.	Nádoba na vodu není naplněna nebo není vsazená správně.	<ul style="list-style-type: none"> <li>▪ Naplnit nádobu na vodu a dbát na její správné umístění (viz kapitola 4.5 viz strana 722).</li> </ul>
	Spařovací jednotka je ucpaná.	<ul style="list-style-type: none"> <li>▪ Vyčistit spařovací jednotku (viz kapitola 8.3 viz strana 739).</li> </ul>
Indikace <i>Naplňt kávová zrna</i> na displeji, i když je nádoba na kávová zrna naplněna.	Kávová zrna nepadají do mlýnku.	<ul style="list-style-type: none"> <li>▪ Stisknout jedno odběrové tlačítko.</li> <li>▪ Lehce klepnout na nádobu na kávová zrna.</li> <li>▪ Vyčistit nádobu na kávová zrna.</li> <li>▪ Kávová zrna jsou příliš mastná. Použít jiná kávová zrna.</li> </ul>
Hlasité zvuky mlýnku.	Cizí tělesa v mlýnku.	<ul style="list-style-type: none"> <li>▪ Kontaktovat servisní středisko.</li> </ul>
Spařovací jednotku nelze po jejím vyjmutí opět nasadit.	Rukojeť zablokování spařovací jednotky není ve správné poloze.	<ul style="list-style-type: none"> <li>▪ Kontrola, zda rukojeť zablokování správně zaskočila (viz kapitola 8.3 viz strana 739).</li> </ul>
	Pohon není ve správné poloze.	<ul style="list-style-type: none"> <li>▪ Stisknout tlačítko „Intenzita kávy“ a podržet ho stisknuté. Dodatečně stisknout zapínač/vypínač. Přístroj provede inicializaci. Opět pustit tlačítka.</li> </ul>
Zobrazení <i>Chyba systému</i> na displeji.	Chyba softwaru.	<ul style="list-style-type: none"> <li>▪ Přístroj vypnout a opět zapnout (viz kapitola 4.1 viz strana 718).</li> <li>▪ Kontaktovat servisní středisko.</li> </ul>

## 10 Přeprava, skladování a likvidace

### 10.1 Odpaření přístroje

Doporučujeme přístroj v případě nepoužívání po delší dobu, před přepravou a při nebezpečí mrazu, odpařit.

Během odpaření se zbývající voda odstraní z přístroje.

**Podmínka:** Na displeji se zobrazí indikace připravenosti.

1. Postavte nádobku pod výtok.
  2. Tlačítko „menu/ok“ stiskněte déle než 2 sekundy.
    - » Na displeji se zobrazí nabídka.
  3. Navigujte do nabídky *Systém* > *Odpařit*.
  4. Pomocí tlačítek se šipkami vyberte *Start* a potvrďte tlačítkem „menu/ok“.
  5. Postupujte podle dalších pokynů na displeji.
- » Přístroj se vypne.

### 10.2 Přeprava přístroje

**POZOR**

**Zamrazená zbytková voda může poškodit přístroj.**

- Zabraňte vystavení přístroje teplotám nižším než 0° C.

**Informace**

Přepravujte přístroj v originálním balení. Tím se zabrání poškozením, vzniklým v důsledku přepravy.

Před přepravou přístroje proveďte následující činnosti:

1. Přístroj odpařte (viz kapitola 10.1 *Odpaření přístroje* viz strana 748).
2. Vyprázdněte odkapávací misku a nádobu na kávovou sedlinu.
3. Vyprázdněte nádobu na vodu.
4. Vyprázdněte nádobu na kávová zrna.
5. Přístroj vyčistěte (viz kapitola 8.1 *Obecné čištění* viz strana 738).
6. Upevněte volné díly (plech na šálky atd.) vhodnou lepicí páskou.
7. Přístroj zabalte.

### 10.3 Likvidace přístroje



Přístroje, označené tímto symbolem, podléhají evropské směrnici č. 2002/96/ES pro WEEE (Waste Electrical and Electronic Equipment).

Elektrické spotřebiče nepatří do domácího odpadu.

- Zlikvidujte přístroj ekologickým způsobem pomocí vhodných sběrných systémů.

## 11 Technické údaje

Technické údaje	
Provozní napětí	220 V až 240 V, 50 Hz
Příkon	maximálně 1450 W
Tlak čerpadla	staticky maximálně 15 barů
Rozměry	
Šířka	253 mm
Výška	390 mm
Hloubka	380 mm
Kapacita	
nádoby na kávová zrna	125 g
nádoby na vodu	1,2 l
Množství odběru nápoje	25 ml až 220 ml
Hmotnost (čistá)	8,3 kg
Okolní podmínky	
Teplota	10 °C až 32 °C
Relativní vlhkost	30 % až 80 % (bez kondenzace)

Rozsah tvrdosti vody	°d	°e	°f
měkká	0 až 10	0 až 13	0 až 18
střední	10 až 15	13 až 19	18 až 27
tvrdá	15 až 20	19 až 25	27 až 36
velmi tvrdá	>20	>25	>36



Tovární nastavení		
Espresso	Množství nápoje	40 ml
	Nastavení intenzity kávy	silná
	Spařovací teplota	normální
Café Crème	Množství nápoje	120 ml
	Nastavení intenzity kávy	silná
	Spařovací teplota	normální
Cappuccino	Množství nápoje	130 ml
	Nastavení intenzity kávy	silná
	Spařovací teplota	normální
Latte Macchiato	Množství nápoje	190 ml
	Nastavení intenzity kávy	silná
	Spařovací teplota	normální
Mléko	Množství pěny	180 ml
	Množství mléka	180 ml
Horká voda	Množství nápoje	180 ml





Melitta Europa GmbH & Co. KG  
Division Household Products  
Ringstr. 99  
D-32427 Minden  
Germany  
[www.melitta.de](http://www.melitta.de)

Editorial department:  
ZINDEL AG  
[www.zindel.de](http://www.zindel.de)